



SRI LANKA

**ANNUAL SURVEY OF
INDUSTRIES
2008**

FINAL REPORT

Department of Census & Statistics

ANNUAL SURVEY OF INDUSTRIES 2008

FINAL REPORT

PREFACE

The Department of Census and Statistics continues to conduct the Annual Survey of Industries (ASI) which commenced in 1984, replacing the Annual Survey of Manufacturing Industries and covers all activities categorised under the three industrial divisions, namely Mining and Quarrying, Manufacturing and Generation and Distribution of Electricity, Gas and Water.

This report provides estimates for important industrial indicators in respect of all the industrial establishments which had been included in the register of industrial establishments for the year 2008. Information has been adjusted for non-responding establishments and the sample data have been inflated.

Any suggestion to improve this survey is most welcome.

D.B.P. Suranjana Vidyaratne,
Director General of Census & Statistics.

Department of Census & Statistics,
15/12, Maitland Crescent,
Colombo 7.
April, 2009.

ACKNOWLEDGEMENT

The planning, and collection of data were done by the staff of the Industry, Construction, Trade & Services Division under the overall guidance of Mr. D.C.A. Gunawardena, the Director and he was assisted by Mr. U.S. Wanapushpa and Mr. M.D.M. Fernando, Senior Statisticians. The Senior Statisticians were assisted by Mr. K. Velupillai, Mr. R.D.N. Premawansa, Mrs. J.K.B.N. Jayakody, Mr. W.G. Piyadasa, Mr. S.M.M. Badurdeen Statisticians.

Mr. U.S. Wanapushpa, Senior Statistician performed a crucial role in planning and supervising of survey work. The Computer assisted Data Processing using the software package Visula Basic and the statistical tables were obtained by Mr. R.D.N. Premawansa, Statistician using the SPSS/PC+. Mrs. U.V.R.S. Gunawardena Statistical Officer totally responsible for correction of error print outs, preparing the statistical table for report and finalizing the report under the supervision Mr. U.S. Wanapushpa, Senior Statistician.

Data collection at the follow up stage was done by the Statistical Officers/ Statistical Assistants attached to the Divisional Secretariat Divisions and the Industry, Construction, Trade & Services Division of the Department under the supervision of District Deputy Directors/ Senior statisticians/ Statisticians as well as all staff officers of the Industry, Construction, Trade & Services Division.

The corporation given by the responding establishments by way of providing their information to made this survey success, is very much appreciated.

CONTENTS

		PAGE NO.
1.	INTRODUCTION	1
2.	OBJECTIVES	1
3.	SCOPE AND COVERAGE	1
4.	METHODOLOGY	1
5.	CONCEPTS AND DEFINITIONS	4
6.	TABLES & CHARTS	
Table I.	Principal indicators of industrial activity classified by major industry division - 2007 (establishments with 5 or more persons engaged)	9
Table I.1.	Principal indicators of industrial activity classified by major industry division - 2007 (establishments with 25 or more persons engaged)	9
Table I.2.	Principal indicators of industrial activity classified by major industry division - 2007 (establishments with less than 25 persons engaged)	9
Chart 1.	Number of establishments by major industry division 2007	10
Chart 2.	Persons engaged by major industry division 2007	10
Table II.	Principal indicators of industrial activity classified by industry division - 2007 (establishments with 5 or more persons engaged)	11
Table II.1.	Principal indicators of industrial activity classified by industry division -2007 (establishments with 25 or more persons engaged)	12
Table II.2.	Principal indicators of industrial activity classified by industry division -2007 (establishments with less than 25 persons engaged)	13
Table 1.	Principal indicators of industrial activity classified by industry- 2007 (establishments with 5 or more persons engaged)	14
Table 2.	Principal indicators of industrial activity classified by industry- 2007 (establishments with 25 or more persons engaged)	19
Table 3.	Principal indicators of industrial activity classified by industry - 2007 (establishments with less than 25 persons engaged)	24

Table 4.	Principal indicators of industrial activity classified by major industry division & persons engage size class - 2007 (establishments with 5 or more persons engaged)	28
Table 5.	Principal indicators of industrial activity classified by industry division & persons engage size class - 2007 (for manufacturing sector) (establishments with 5 or more persons engaged)	29
Table 6.	Principal indicators of industrial activity classified by province & industry division - 2007 (establishments with 5 or more persons engaged)	34
Table 7.	Principal indicators of industrial activity classified by district - 2007 (establishments with 5 or more persons engaged) (for manufacturing sector)	41
Table 8.	Principal indicators of industrial activity classified by district - 2007 (establishments with 25 or more persons engaged) (for manufacturing sector)	42
Table 9.	Principal indicators of industrial activity classified by district - 2007 (establishments with less than 25 persons engaged) (for manufacturing sector)	43
Table 10.	Establishments classified by persons engaged size class & industry division - 2007 (establishments with 5 or more persons engaged)	44
Table 11.	Establishments classified by output size class & industry division - 2007 (establishments with 5 or more Persons engaged)	45
Table 12.	Establishments classified by value added size class & industry division - 2007 (establishments with 5 or more persons engaged)	46
Table 13.	Establishments classified by size class of gross fixed capital formation & industry division - 2007 (establishments with 5 or more persons engaged)	47
Table 14.	Establishments classified by size class of assets at beginning of the year & industry division - 2007 (establishments with 5 or more persons engaged)	48
Table 15.	Value of output & output components classified by industry - 2007 (establishments with 5 or more persons engaged)	49
Table 16.	Value of input & input components classified by industry - 2007 (establishments with 5 or more persons engaged)	56

Table 17.	Value of electricity & type of fuel classified by industry - 2007 (establishments with 5 or more persons engaged)	62
Table 18.	Employment by nature of employment & sex classified by industry - 2007 (establishments with 5 or more persons engaged)	66
Table 19.	Categories of employees by nature of employment classified by industry - 2007 (establishments with 5 or more persons engaged)	71
Table 20.	Earning of employees by nature of employment classified by industry - 2007 (establishments with 5 or more persons engaged)	78
Table 21.	Salaries per employee by nature of employment & industry - 2007 (establishments with 5 or more persons engaged)	84
Table 22.	Persons engaged by nature of employment classified by industry - 2007 (establishments with 5 or more persons engaged)	90
Table 23.	Value of assets (at the beginning of the year) classified by industry - 2007 (establishments with 5 or more persons engaged)	97
Table 24.	Value of gross additions to the fixed assets during the year classified by industry - 2007 (establishments with 5 or more persons engaged)	104
Table 25.	Economic indicators of industrial activity classified by industry - 2007 (establishments with 5 or more persons engaged)	111
Table 26.	Principal indicators of industrial activity classified by investment size class - 2007 (establishments with 5 or more persons engaged)	117
APPENDIX		
Appendix 1.	Industry division code & description (2 digit level)	123
Appendix 2.	Type of industry code & description (3 digit level)	124
Appendix 3.	Type of industry code & description (4 digit level)	126

Annual Survey of Industries - 2008

1. Introduction

The Department of Census and Statistics (DCS) started to conduct its series of Annual Survey of Manufacturing Industries (ASMI) in 1979 with the reference year as the previous year 1978. The frame of this survey was restricted to manufacturing establishments registered with the Ministry of Industries and the State owned industrial establishments. (i.e. Public Corporations, Departmental undertakings, Govt. owned Business undertakings). The last survey of this series was carried out in 1982. After the Census of Industry conducted in 1983, the ASMI was replaced by the Annual Survey of Industries (ASI) covering Mining and Quarrying, Manufacturing and Generation and Distribution of Electricity, Gas and Water. The Industrial frame generated from the Census of Industry 1983 was used to conduct the series of Annual Survey of Industries from 1984 to 2003. The frame of the new series is the register of industrial establishments which is a by product of Census of Industry 2003/2004.

This survey is the 23rd of the ASI series, conducted in 2008 and the reference period is 2007. The report contains the important industrial indicators relevant to all establishments with 5 or more persons engaged.

2. Objectives

The objectives of the survey are

- i. to provide indicators of the performance and the structure of the industrial sector.
- ii. to update the list of industrial establishments already available.

3. Scope and coverage

The scope of the ASI is all activities categorised under three industry divisions namely, Mining and Quarrying, Manufacturing and Generation and Distribution of Electricity, Gas and Water of the International Standard Industrial Classification Revision 3 (ISIC) of the United Nations. All private sector establishments, state owned industries and industries coming within the purview of Board of Investment with 5 or more persons engaged have been covered in this survey.

4. Methodology

ASI is predominantly a postal survey. But since this year, the field officers of the Department were sent for the data collection with regard to get higher percentage of responses.

4.1 *The Questionnaire*

There were 20 questions in the questionnaire. The first 14 questions were on identification information. Questions 15 to 18 were on Input and Output and question number 19 and 20 were about the Investment and Labour of the establishment. The value of goods moved out, receipts from industrial services done for others and opening and closing stocks of output were collected to compile the gross output. Inputs were the addition of value of raw materials consumed for the year 2006, (i.e. Cost of raw materials adjusted for stocks) and the consumption of Electricity, Fuel and Water. Book value at the beginning of the year, Gross additions during the year, and Depreciation were canvassed under the four components of fixed assets namely, Land, Buildings and Other Constructions, Machinery and Other Equipment and Transport Equipment. The information on employment and earnings, was collected under two sub categories Nationals and Non nationals. The number of male and female national persons engaged were collected separately, but salaries were canvassed only for the total number of employees. In addition to the above, non national employees and their salaries also were canvassed.

4.2 *Data Collection*

The questionnaires and instructions manual along with covering letters were posted to each establishments. For the non repoding establishments of all districts field officers had to visit quite a number of times to get the questionnaire completed. The collection of accurate data from industrial establishments is very tedious and time consuming. Sometimes officers had to visit them several times in order to get a good response.

4.3 *Reference Period*

Reference period of the survey was the calendar year 2007 (i.e. 1st of January to 31st of December). But in some cases, establishments keep records not for the calendar year but for the financial year. (1st of April 2007 to 31st of March 2008) In those situations, financial year data were accepted when there was no significant differences between two 1st quarters of both years (2007 and 2008). Otherwise estimates for the calendar year were accepted.

4.4 *Sample Survey Design and Estimation*

All industrial establishments with 5 or more persons as in the Census of Industry 2003/2004 was the frame (sample population) of ASI.

The whole frame was divided into two sectors as establishments with 100 or more persons engaged and establishments with 5 - 99 persons engaged. All establishments in the 100 or more sector (census part) and a probability sample of 5 to 99 sector (survey part) were canvassed.

This survey part was further stratified according to geographical location, industrial activity and size. Geographical strata were 25 administrative districts. Industrial activities were defined as the industry group levels, 2 digit level of ISIC. The persons engaged size classes which were defined as 5-9, 10-99, 100 or more persons engaged were used as the size strata.

There were 1923 establishments in the census part and another 1956 were selected for the sample out of 21,503 industries. Higher probabilities were given to select rare industries. The sample was selected systematically within the strata.

The estimated value of a variable will be given by,

$$\hat{Y} = \sum_{i=1} \sum_{j=1} \sum_{k=1} \frac{N_{ijk}}{n_{ijk}} Y_{ijk}$$

Where,
 N = total no. of units in the population
 n = number responded
 k = size class of persons engaged
 j = industry group of ISIC
 i = district

Determination of weights

The final weight for respondent k in stratum h , w_{hk} , is a composite of the base weight, w_{1hk} , the non-response adjustment w_{2hk} and the factor to compensate for coverage errors w_{3hk} such that

$$w_{hk} = w_{1hk} \times w_{2hk} \times w_{3hk} \quad (1)$$

Base weight (w_{1hk})

The base weight is the inverse of the probability of selection.

Non-response weight(w_{2hk}) and Sampling Frame Error weight(w_{3hk})

The non-response weight is the ratio the sample size to the total respondents. The establishments that were considered as non-respondents are those who refused to participate in the survey.

The followings are considered as frame problems: Those establishments that cannot be located, those that were closed (they should not be included in the sampling frame), those that are out-of-scope (the ISIC classification was not specified correctly) and those that were duplicates and mergers.

Therefore, requires an adjustment factor to be incorporated in the weight. To illustrate, if N_h is the population size for stratum h and n_h is the corresponding sample size, then the corresponding selection probability p_h is

$$P_h = \frac{n_h}{N_h} \quad (2)$$

If given the stratum h , q_{1h} is the proportion of establishments with frame problems (proportion of those that should not be included in the frame) and q_{2h} is the proportion of establishments that were missed in the frame (those that should be listed but were not included), then the true population size of stratum h should be

$$N_h^1 = N_h \times (1 - q_{1h} + q_{2h}) \quad (3)$$

and the frame adjustment weight, w_{3hk}

$$W_{3hk} = (1 - q_{1h} + q_{2h}) \quad (4)$$

In the case of this survey, we do not have a measure for q_{2h} . Please note that we could only assume that q_{2h} is almost 0 because list was updated recently. The final weight as defined by equation (1).

Estimation

Estimates for each of the strata described above could be derived separately. For example, the estimator for a total in stratum h is

$$\hat{Y}_h = \sum_k w_{hk} y_{hk} \quad (5)$$

where y_{hk} is the observed value from the k^{th} sample in stratum h

5. Concepts and Definitions

The concepts and definitions used in ASI-2008 were broadly in accordance with the United Nations recommendations.

5.1 Statistical Unit

Statistical unit of ASI is the establishment which is defined as an unit engaged in the single or related activities of Mining and Quarrying, Manufacturing and Generation and Distribution of Electricity, Gas and Water in one location under a single ownership or control. However, industrial enterprises, which are engaged in production of more than one related activity in one location or one activity in several locations, were treated as one unit of enumeration whenever no separate records are available.

Any way in the analysis, the ideal definition of the establishment was followed. The information collected at enterprise level was disaggregated into establishment level using the proportion of output. Ancillary units such as warehouses, garages, etc. were treated as part of the main establishments.

5.2 Output

Information on output has been collected on shipment basis. The variables canvassed were the value of products moved out from the establishment, value of stocks of finished goods and receipts from industrial services rendered to others.

a. Value of products moved out

- i. Value of products made by the establishment using its own raw materials
- ii. Products made by another establishment using material inputs owned by the establishment

have been considered, as the products made by the establishment and the following three situations have been considered as the moving out.

- i. sending to another establishment or a person
- ii. sending to another branch of the same enterprise
- iii. sending abroad

These products were valued at the price at which the producer disposes of his goods to the customer (i.e. producer's price). All duties and taxes which fell on the products when they leave the establishment are included and subsidies recovered are excluded. Price rebates, discounts and allowances on returned goods allowed to the customer have been deducted and any transport charges which may be invoiced to the purchaser or user have been excluded. Products released to other establishments of the same enterprise have been treated as though sold and valued at producer's prices.

b. Stocks of finished goods

The values of stocks of finished goods at the beginning and at the end of the year 2006 have been collected.

This consists of all finished goods made by the establishment using their own raw materials and manufactured by another establishment using raw materials owned by this establishment and ready for release. Finished goods held by the establishment which were made from materials owned by others have been excluded. Valuation is in producer's prices.

c. Receipts from Industrial Services

The total value of receipts from

- i. Contract and Commission work done for others on materials owned by them,
 - ii. Repairs and installation work done for others,
 - iii. Sales of scraps and refuses,
 - iv. Own account investment work,
- have been included here.

d. Value of output

The value of output was obtained from the value of shipments and other receipts of Industrial Services adjusted for changes in the values of stocks of finished goods during the reference period.

$$\text{Value of Output} = (\text{Value of products moved out}) + (\text{Closing stocks of finished goods}) - (\text{Opening stocks of finished goods}) + (\text{Receipts from Industrial Services})$$

5.3 *Inputs*

Information on inputs has been collected covering the costs of

- Raw materials, parts and components and packing materials (Imported and Indigenous) consumed,
- Industrial services done by others for the establishment,
- Fuel, Electricity & Water consumed.

a. **Cost of raw materials, parts and components and packing materials**

i. Cost of raw materials, packing materials purchased

All material inputs (Raw materials, parts, components containers and supplies) purchased by the establishment for the production process either in this establishment or in another establishment have been included. All materials have been valued at purchaser's prices.

i.e. The delivered value at the establishment, including the purchase price transport charges, cost of insurance, all taxes and duties on the goods. Discounts or rebates allowed to the purchaser and the value of packing materials returned to the supplier have been deducted.

The value of materials owned by others and received by the establishment for production process have been excluded and material inputs received by the establishment from other establishments of the same enterprise (not purchased) for processing have been valued as if purchased.

ii. Values of stocks of raw materials and packing materials etc.

The opening and closing stocks of all input materials (imported and indigenous) including packing materials which are purchased (or treated as purchased) have been included.

The valuation was at purchaser's prices. The stocks of raw material used for own account work for producing own fixed assets have been excluded.

b. **Cost of industrial services done by others**

The total cost of

- Contract and commission work done by others on materials supplied by the establishments and
- Repairs and maintenance services provided by others are included.

c. **Fuel, electricity and water consumed**

The total of the values of Fuel (LP Gas, Coal and Charcoal, Petrol, Diesel Oil, Furnace Oil, Kerosene Oil, Firewood and others) Electricity and Water consumed has been included.

5.3.1 Raw Materials Consumed

Raw materials consumed (i.e. actually used) has been computed by adjusting stocks of raw materials to the total value of raw materials (imported and indigenous) and packing materials purchased.

$$\begin{aligned} &\text{Raw materials and packing materials consumed} \\ &= (\text{Raw materials and packing materials purchased}) (\text{Imported} + \text{Indigenous}) + \\ &\quad (\text{Opening stocks of materials}) - \\ &\quad (\text{Closing stocks of materials}) \end{aligned}$$

5.3.2 Value of Inputs

The total value of raw materials consumed, cost of industrial services done by others and Fuel, Electricity and Water consumed have been defined as the value of Inputs.

5.4 Value Added

Value added has been defined as the difference of the value of output and value of inputs i.e. value of Output - value of Inputs.

5.5 Fixed Capital Assets

The book value at the beginning of the year, value of gross additions during the year and depreciation of all assets with productive life of one year or more, owned by the establishment (i.e. Land, Buildings, Other constructions and Land improvements, Machinery and Other equipment, Transport equipment) have been collected. Leased or rented assets have not been included.

a. Book value at the beginning of the year

This refers to the original cost price of the item less its depreciation, less assets retired and sold upto the beginning of the year.

b. Gross additions to fixed assets during the year

This is defined as the total of the costs of new and second hand fixed assets acquired during the year and alterations, renovations and improvements purchased, cost of own account work less the value of sales of used fixed assets.

Valuation of fixed assets acquired from others was to be at the delivered price plus cost of installation and any necessary fees and taxes. Valuation of fixed assets produced own account had to be valued with imputation for own labour and materials used and an allocation for overhead costs. Value of sales of used assets were to be at actual amounts realise.

5.6 Employment and Earnings

The information obtained on employment related to the number of persons engaged in the establishment.

a. Number of persons engaged

This is defined as the total number of persons who work in or for the establishment, including working proprietors, active partners, unpaid family workers, operatives and all other employees.

b. Working proprietors and active partners

All individual proprietors and partners who are actively engaged in the work of the establishment have been included here.

c. Unpaid family workers

All persons living in the household of the owners and working in the establishment, with out a regular pay, for at least one third of the normal working time of the establishment and non household members who do work without pay were included.

d. Operatives

All paid employees who were directly engaged in the production or related activities of the establishment including any clerical or working supervisory personal whose function was to record or expedite any step in the production process have been considered as operatives.

e. Other Employees

All paid employees excluding those covered as operatives are reported here, eg. Managers, Directors, Laboratory and Research workers, Clerks, Typists etc.

f. Wages and Salaries

All payments whether in cash or in kind made by the employers during the year 2006 in connection with the work done to all “employees “ had been included here.

i.e.

- i. All regular and overtime cash payments houses and cost of living allowances.
- ii. Wages and salaries paid during vacation sick leaves
- iii. Taxes and social insurance contribution
- iv. Payments in land.

**Table I : Principal indicators of industrial activity classified by major industry division - 2007
(Establishments with 5 or more persons engaged)**

Major industry division	No. of establishments	Persons engaged (No.)	Employees (No.)	Salaries & Wages (Rs.)	Value of output (Rs.)	Value of input (Rs.)	Value added (Rs.)	Gross additions to fixed assets (Rs.)
C Mining and Quarrying	1,366	24,028	20,405	2,001,337,449	8,773,477,594	2,191,570,326	6,581,907,268	362,019,915
D Manufacturing	16,652	962,188	939,497	151,677,960,670	2,046,816,469,680	1,252,997,780,741	793,818,688,939	134,738,815,814
E Electricity, Gas and Water supply	51	24,271	24,209	13,116,845,543	120,473,481,116	45,907,452,286	74,566,028,830	62,383,062,783
Total	18,069	1,010,487	984,110	166,796,143,661	2,176,063,428,390	1,301,096,803,353	874,966,625,037	197,483,898,512

**Table I.1 : Principal indicators of industrial activity classified by major industry division - 2007
(Establishments with 25 or more persons engaged)**

Major industry division	No. of establishments	Persons engaged (No.)	Employees (No.)	Salaries & Wages (Rs.)	Value of output (Rs.)	Value of input (Rs.)	Value added (Rs.)	Gross additions to fixed assets (Rs.)
C Mining and Quarrying	197	12,937	11,061	1,233,941,775	4,971,326,169	941,153,799	4,030,172,370	267,320,915
D Manufacturing	3,715	836,124	832,353	140,796,622,118	1,947,008,995,983	1,193,627,429,744	753,381,566,239	128,257,603,068
E Electricity, Gas and Water supply	12	23,816	23,816	13,068,333,368	119,577,769,163	45,621,021,016	73,956,748,147	62,357,125,115
Total	3,923	872,878	867,230	155,098,897,261	2,071,558,091,315	1,240,189,604,559	831,368,486,756	190,882,049,098

**Table I.2 : Principal indicators of industrial activity classified by major industry division - 2007
(Establishments with less than 25 persons engaged)**

Major industry division	No. of establishments	Persons engaged (No.)	Employees (No.)	Salaries & Wages (Rs.)	Value of output (Rs.)	Value of input (Rs.)	Value added (Rs.)	Gross additions to fixed assets (Rs.)
C Mining and Quarrying	1,170	11,091	9,344	767,395,673	3,802,151,425	1,250,416,527	2,551,734,898	94,699,000
D Manufacturing	12,937	126,064	107,144	10,881,338,552	99,807,473,697	59,370,350,997	40,437,122,700	6,481,212,746
E Electricity, Gas and Water supply	39	455	393	48,512,175	895,711,953	286,431,270	609,280,683	25,937,668
Total	14,146	137,610	116,880	11,697,246,400	104,505,337,075	60,907,198,794	43,598,138,281	6,601,849,414

Chart 1 : Number of establishments by major industry division - 2007

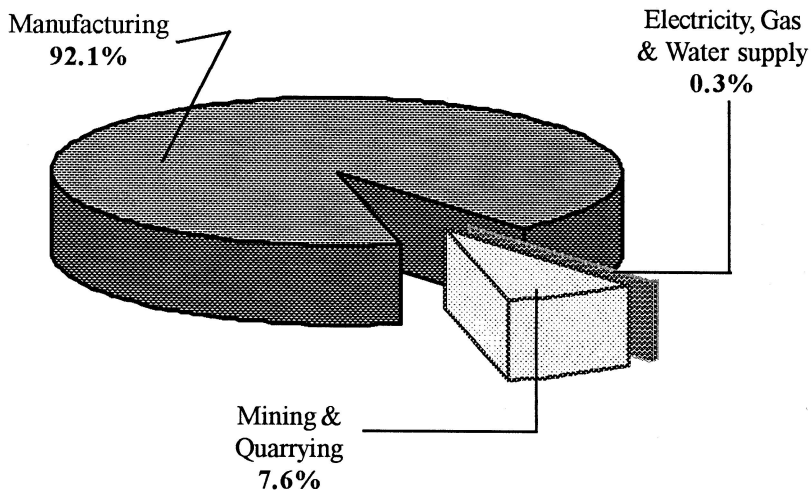
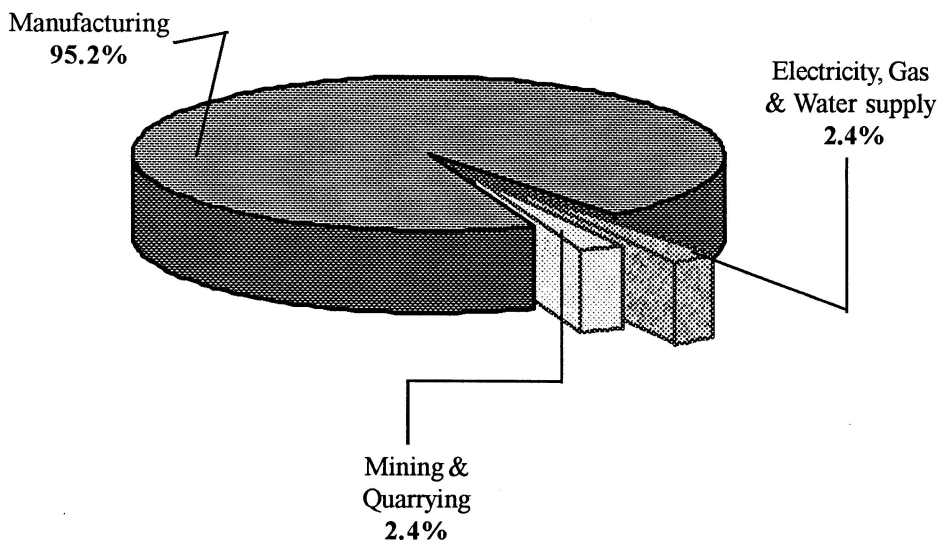


Chart 2 : Persons engaged by major industry division - 2007



**Table II : Principal indicators of industrial activity classified by industry division - 2007
(Establishments with 5 or more persons engaged)**

Industry division	No. of establishments	Persons engaged (No.)	Employees (No.)	Salaries & Wages (Rs.)	Value of output (Rs.)	Value of input (Rs.)	Value added (Rs.)	Gross additions to fixed assets (Rs.)
14 Other Mining and Quarrying	1,366	24,028	20,405	2,001,337,449	8,773,477,594	2,191,570,326	6,581,907,268	362,019,915
15 Manu.of food products and beverages	4,471	137,632	128,386	15,602,386,439	430,314,908,725	241,811,761,886	188,503,146,839	19,960,507,896
16 Manu.of tobacco products	129	4,896	4,623	1,239,314,190	36,961,246,985	3,291,266,358	33,669,980,627	319,753,986
17 Manu.of Textiles	2,181	134,888	133,087	44,040,362,653	609,485,892,094	421,126,131,435	188,359,760,659	69,620,131,390
18 Manu.of wearing Apparel, dressing & dyeing of fur	2,063	394,464	391,932	47,372,284,030	354,173,839,569	185,814,772,863	168,359,066,706	14,608,153,888
19 Tanning and dressing of leather; manu. of luggage, hand	183	10,411	10,090	1,279,117,895	8,444,296,952	5,103,456,755	3,340,840,197	131,102,581
20 Manu.of wood & products of wood & cork except furniture	1,076	12,054	10,497	1,035,485,620	4,340,131,706	2,209,852,564	2,130,279,142	220,196,784
21 Manu.of paper and paper products	159	9,250	9,176	1,906,434,322	31,762,915,238	24,503,881,145	7,259,034,093	1,009,326,219
22 Publishing, printing and reproduction of recorded media	507	18,414	17,937	3,958,877,022	25,328,380,090	14,799,526,834	10,528,853,256	2,067,688,210
23 Manu.of coke refined petroleum products and nuclear fuel	2	3,047	3,047	1,916,149,572	125,920,356,397	113,622,157,840	12,298,198,557	330,149,273
24 Manu.of chemicals & chemical products	392	17,755	17,416	4,545,987,816	75,780,901,876	45,402,662,304	30,378,239,572	4,287,700,236
25 Manu.of rubber & plastic products	783	60,236	59,684	8,168,650,982	133,268,398,265	72,166,469,164	61,101,929,101	5,187,584,890
26 Manu. of other non metallic mineral products	2,836	65,565	61,884	7,590,857,091	56,488,250,191	27,758,739,747	28,729,510,444	3,535,434,075
27 Manu.of basic metals	91	5,449	5,394	990,503,808	19,917,144,787	11,190,318,194	8,726,826,593	6,331,670,960
28 Manu.of fabricated metal products except machinery equip	744	12,626	11,477	1,389,683,318	10,173,691,251	6,126,955,547	4,046,735,704	302,447,571
29 Manu.of Machinery & equipments (n.e.c.)	104	8,669	8,572	1,351,510,766	13,470,851,479	10,065,218,909	3,405,632,570	567,281,402
30 Manu.of office, accounting and computing machinery	6	5,226	5,220	601,027,248	6,136,094,411	3,203,253,197	2,932,841,214	48,734,145
31 Manu.of Electrical machinery and apparatus n.e.c.	61	8,720	8,711	1,451,103,592	43,717,869,810	30,058,794,893	13,659,074,916	1,409,341,643
32 Manu.of Radio, TV & communication equipment and apparatus	36	2,596	2,593	388,192,643	2,906,220,842	1,740,084,431	1,166,136,411	236,792,291
33 Manu.of medical, precision & optical instruments, watche	4	58	51	4,628,840	33,171,947	18,691,604	14,480,343	737,550
34 Manu.of motor vehicles, trailers and semi-trailers	53	2,087	2,065	368,696,752	1,808,695,605	893,947,809	914,747,796	467,780,603
35 Manu.of other transport equipment	52	9,613	9,556	2,554,708,535	22,813,804,777	12,258,510,146	10,555,294,630	1,075,306,086
36 Manu.of furniture, Manufacturing of n.e.c.	711	37,995	37,578	3,855,600,424	32,655,256,010	19,269,715,811	13,385,540,198	2,962,288,194
37 Recycling	10	536	521	66,397,112	914,150,675	561,611,303	352,539,372	58,705,941
40 Electricity, Gas, Steam and Hot water supply	26	14,926	14,923	8,826,950,638	112,635,701,818	43,929,045,632	68,706,656,186	50,467,361,680
41 Collection, purification and distribution of water	25	9,345	9,286	4,289,894,905	7,837,779,298	1,978,406,654	5,859,372,644	11,915,701,103
Total	18,069	1,010,487	984,110	166,796,143,661	2,176,063,428,390	1,301,096,803,353	874,966,625,037	197,483,898,512

**Table II.1 : Principal indicators of industrial activity classified by industry division - 2007
(Establishments with 25 or more persons engaged)**

Industry division	No. of establishments	Persons engaged (No.)	Employees (No.)	Salaries & Wages (Rs.)	Value of output (Rs.)	Value of input (Rs.)	Value added (Rs.)	Gross additions to fixed assets (Rs.)
14 Other Mining and Quarrying	197	12,937	11,061	1,233,941,775	4,971,326,169	941,153,799	4,030,172,370	267,320,915
15 Manu.of food products and beverages	1,089	104,527	102,699	12,477,530,562	383,159,019,541	208,851,277,021	174,307,742,520	19,123,706,514
16 Manu.of tobacco products	21	3,889	3,824	1,199,541,519	35,987,831,483	2,717,841,414	33,269,990,069	291,491,486
17 Manu.of Textiles	283	116,214	116,096	42,723,256,254	604,101,666,178	418,867,430,923	185,234,235,255	69,549,903,537
18 Manu.of wearing Apparel, dressing & dyeing of fur	777	383,658	383,254	46,702,707,615	351,965,197,248	185,275,519,185	166,689,678,063	14,471,609,731
19 Tanning and dressing of leather; manu. of luggage, hand	29	8,996	8,981	1,222,203,495	8,150,240,777	4,971,784,980	3,178,455,797	122,423,581
20 Manu.of wood & products of wood & cork except furniture	73	3,953	3,906	348,863,284	1,430,573,660	780,636,784	649,936,877	169,915,756
21 Manu.of paper and paper products	107	8,545	8,528	1,849,009,577	31,484,476,964	24,327,474,117	7,157,002,847	691,623,552
22 Publishing, printing and reproduction of recorded media	96	13,107	12,938	3,175,241,544	21,357,359,294	12,788,704,380	8,568,654,913	2,023,616,124
23 Manu.of coke refined petroleum products and nuclear fuel	2	3,047	3,047	1,916,149,572	125,920,356,397	113,622,157,840	12,298,198,557	330,149,273
24 Manu.of chemicals & chemical products	95	15,010	14,932	4,243,860,689	74,485,008,426	44,790,214,258	29,694,794,169	951,596,679
25 Manu.of rubber & plastic products	319	51,845	51,636	7,164,603,520	112,010,042,133	58,926,861,748	53,083,180,384	4,334,171,470
26 Manu. of other non metallic mineral products	219	42,709	42,262	5,784,775,637	46,974,986,994	24,598,256,459	22,376,730,535	3,115,444,818
27 Manu.of basic metals	38	4,657	4,653	933,185,478	19,696,437,758	11,089,259,655	8,607,178,103	6,330,052,960
28 Manu.of fabricated metal products except machinery equip	112	7,524	7,419	951,742,750	8,213,488,472	5,033,811,396	3,179,677,076	218,014,209
29 Manu.of Machinery & equipments (n.e.c.)	35	7,647	7,630	1,244,905,299	12,739,688,266	9,561,929,997	3,177,758,269	508,981,402
30 Manu.of office, accounting and computing machinery	4	5,200	5,200	596,395,248	6,096,894,411	3,168,889,483	2,928,004,928	46,906,275
31 Manu.of Electrical machinery and apparatus n.e.c.	58	8,702	8,695	1,449,024,592	43,712,351,810	30,055,836,518	13,656,515,291	1,407,561,643
32 Manu.of Radio, TV & communication equipment and apparatus	12	2,408	2,406	374,526,643	2,865,125,732	1,716,750,987	1,148,374,745	235,997,291
33 Manu.of medical, precision & optical instruments, watche	1	31	30	2,408,000	6,478,550	3,710,000	2,768,550	-
34 Manu.of motor vehicles, trailers and semi-trailers	10	1,449	1,445	300,106,411	1,567,590,720	755,835,074	811,755,646	431,204,803
35 Manu.of other transport equipment	32	9,373	9,348	2,517,772,535	22,381,404,777	12,203,046,656	10,178,358,120	1,074,972,753
36 Manu.of furniture, Manufacturing of n.e.c.	301	33,201	32,996	3,559,443,373	31,847,796,567	18,992,054,762	12,855,741,805	2,769,616,920
37 Recycling	3	433	430	59,368,520	854,979,826	528,146,104	326,833,722	58,642,290
40 Electricity, Gas, Steam and Hot water supply	7	14,670	14,670	8,797,779,038	111,809,193,483	43,666,538,836	68,142,654,647	50,444,140,012
41 Collection, purification and distribution of water	5	9,146	9,146	4,270,554,330	7,768,575,680	1,954,482,180	5,814,093,500	11,912,985,103
Total	3,923	872,878	867,230	155,098,897,261	2,071,558,091,315	1,240,189,604,559	831,368,486,756	190,882,049,098

Table II.2 : Principal indicators of industrial activity classified by industry division - 2007
(Establishments with less than 25 persons engaged)

Industry division	No. of establishments	Persons engaged (No.)	Employees (No.)	Salaries & Wages (Rs.)	Value of output (Rs.)	Value of input (Rs.)	Value added (Rs.)	Gross additions to fixed assets (Rs.)
14 Other Mining and Quarrying	1,170	11,091	9,344	767,395,673	3,802,151,425	1,250,416,527	2,551,734,898	94,699,000
15 Manu.of food products and beverages	3,382	33,105	25,687	3,124,855,877	47,155,889,184	32,960,484,866	14,195,404,319	836,801,381
16 Manu.of tobacco products	108	1,007	799	39,772,671	973,415,502	573,424,944	399,990,558	28,262,500
17 Manu.of Textiles	1,898	18,674	16,991	1,317,106,398	5,384,225,916	2,258,700,511	3,125,525,404	70,227,853
18 Manu.of wearing Apparel, dressing & dyeing of fur	1,286	10,806	8,679	669,576,415	2,208,642,320	539,253,677	1,669,388,643	136,544,157
19 Tanning and dressing of leather; manu. of luggage, hand	154	1,415	1,109	56,914,400	294,056,175	131,671,775	162,384,400	8,679,000
20 Manu.of wood & products of wood & cork except furniture	1,003	8,101	6,592	686,622,336	2,909,558,046	1,429,215,781	1,480,342,265	50,281,027
21 Manu.of paper and paper products	52	705	648	57,424,745	278,438,274	176,407,028	102,031,246	317,702,667
22 Publishing, printing and reproduction of recorded media	411	5,307	4,998	783,635,478	3,971,020,797	2,010,822,454	1,960,198,343	44,072,086
24 Manu.of chemicals & chemical products	297	2,745	2,484	302,127,127	1,295,893,449	612,448,046	683,445,403	3,336,103,557
25 Manu.of rubber & plastic products	464	8,390	8,049	1,004,047,462	21,258,356,133	13,239,607,416	8,018,748,717	853,413,420
26 Manu. of other non metallic mineral products	2,617	22,856	19,622	1,806,081,454	9,513,263,197	3,160,483,288	6,352,779,909	419,989,257
27 Manu.of basic metals	54	793	741	57,318,330	220,707,029	101,058,539	119,648,490	1,618,000
28 Manu.of fabricated metal products except machinery equip	632	5,102	4,057	437,940,568	1,960,202,779	1,093,144,151	867,058,629	84,433,362
29 Manu.of Machinery & equipments (n.e.c.)	69	1,023	941	106,605,467	731,163,213	503,288,912	227,874,301	58,300,000
30 Manu.of office, accounting and computing machinery	2	26	20	4,632,000	39,200,000	34,363,714	4,836,286	1,827,870
31 Manu.of Electrical machinery and apparatus n.e.c.	3	18	16	2,079,000	5,518,000	2,958,375	2,559,625	1,780,000
32 Manu.of Radio, TV & communication equipment and apparatus	24	189	188	13,666,000	41,095,110	23,333,444	17,761,666	795,000
33 Manu.of medical, precision & optical instruments, watche	3	27	21	2,220,840	26,693,397	14,981,604	11,711,793	737,550
34 Manu.of motor vehicles, trailers and semi-trailers	43	638	620	68,590,341	241,104,885	138,112,735	102,992,150	36,575,800
35 Manu.of other transport equipment	19	241	208	36,936,000	432,400,000	55,463,490	376,936,510	333,333
36 Manu.of furniture, Manufacturing of n.e.c.	411	4,794	4,582	296,157,051	807,459,443	277,661,049	529,798,394	192,671,274
37 Recycling	7	103	91	7,028,592	59,170,849	33,465,199	25,705,650	63,651
40 Electricity, Gas, Steam and Hot water supply	19	256	253	29,171,600	826,508,335	262,506,796	564,001,539	23,221,668
41 Collection, purification and distribution of water	20	199	140	19,340,575	69,203,618	23,924,474	45,279,144	2,716,000
Total	14,146	137,610	116,880	11,697,246,400	104,505,337,075	60,907,198,794	43,598,138,281	6,601,849,414

**Table 1 : Principal indicators of industrial activity classified by industry - 2007
(Establishments with 5 or more persons engaged)**

Type of industry	No. of establishments	Persons engaged (No.)	Employees (No.)	Salaries & Wages (Rs.)	Value of output (Rs.)	Value of input (Rs.)	Value added (Rs.)	Gross additions to fixed assets (Rs.)	
141 Quarrying of stone Clay and Sand	Group Total	998	8,443	7,623	737,249,340	3,994,501,245	1,100,028,819	2,894,472,426	93,767,000
	1411 Quarrying of stone Clay and Sand	241	1,925	1,777	93,269,000	256,568,400	46,029,784	210,538,616	1,364,000
	1412 Braking of Granite	533	4,614	4,081	386,051,140	1,881,888,325	653,324,510	1,228,563,815	92,403,000
	1413 Quarrying of Sand & Gravel	85	792	792	137,833,200	1,675,400,120	390,666,525	1,284,733,595	-
	1414 Quarrying Of Limestone	139	1,112	973	120,096,000	180,644,400	10,008,000	170,636,400	-
142 Mining and Quarrying n.e.c	Group Total	369	15,585	12,782	1,264,088,109	4,778,976,349	1,091,541,507	3,687,434,842	268,252,915
	1421 Mining of chemical and Fertilizer minerals	1	308	308	64,481,340	232,046,000	122,197,000	109,849,000	610,000
	1422 Extraction of salt	93	7,872	7,494	864,727,100	2,479,635,990	255,703,639	2,223,932,351	148,775,440
	1423 Mining of precious and semi precious stones	273	6,962	4,537	234,992,667	1,595,066,667	534,009,600	1,061,057,067	1,000,000
	1429 Other Mining & Quarrying N.e.c	2	443	443	99,887,002	472,227,692	179,631,268	292,596,424	117,867,475
151 Produ., proce. & preserving of meat, fish,fruit, vegeta	Group Total	186	10,064	9,855	1,207,767,908	22,250,619,568	14,862,927,808	7,387,691,760	1,485,650,306
	1511 Processing and Preserving of Meat and Meat Product	7	2,564	2,555	255,805,218	6,413,206,435	4,242,129,532	2,171,076,903	356,319,696
	1512 Processing and Preserving of fish and fish Products	42	1,394	1,394	301,015,662	7,978,548,322	5,402,487,086	2,576,061,236	82,218,532
	1513 Processing & Preserving of fruits & Vegetables	50	1,015	962	120,666,464	1,564,008,289	738,242,638	825,765,650	25,379,402
	1514 Manufacture of Vegetable oils animal oils & fats	87	5,091	4,944	530,280,564	6,294,856,522	4,480,068,551	1,814,787,971	1,021,732,676
152 Manufacture of Dairy Products	Group Total	59	4,887	4,834	1,051,065,067	49,263,612,524	37,082,871,064	12,180,741,461	639,514,102
	1520 Manufacture of Dairy Products	59	4,887	4,834	1,051,065,067	49,263,612,524	37,082,871,064	12,180,741,461	639,514,102
153 Manu.of grain mill products and prepared animal feeds	Group Total	974	14,410	13,231	1,836,054,263	91,266,878,185	68,452,172,703	22,814,705,481	3,578,373,124
	1531 Manufacture of Grain Mill Products	820	13,108	12,081	1,639,691,063	85,772,838,185	66,163,453,743	19,609,384,441	3,135,741,124
	1533 Preparation of Animal food from milling waist	154	1,302	1,150	196,363,200	5,494,040,000	2,288,718,960	3,205,321,040	442,632,000
154 Manu.of other food products	Group Total	3,078	102,949	95,171	10,664,828,793	244,990,391,575	116,375,542,862	128,614,848,713	13,559,700,248
	1541 Manufacture of bakery products	1,105	23,471	20,355	2,440,093,513	31,160,004,258	15,510,981,589	15,649,022,669	2,235,263,015
	1542 Manufacture of Cane sugar and molasses	39	1,274	1,200	170,099,112	2,641,866,300	1,724,283,587	917,582,713	322,807,307
	1543 Manu.of cocoa, chocolate and sugar confectionary	350	5,836	4,975	902,291,321	6,927,052,752	4,007,199,177	2,919,853,575	190,655,170
	1544 Manu.of macaroni, noodles couscous and similar farinac	108	3,019	2,826	281,162,387	3,844,588,115	2,620,060,777	1,224,527,338	286,459,766
	1545 Manu.of Coffee & Soya Products for drinking	22	1,179	1,179	207,644,917	1,364,207,016	727,245,011	636,962,005	92,948,214
	1546 Manu.of tea and tea products	1,028	62,144	59,879	6,413,020,815	194,949,662,950	90,117,298,145	104,832,364,806	10,319,845,990
	1547 Manu.of chilly-power, condiments powder, proce.of spic	117	3,475	3,371	208,598,929	3,591,487,185	1,362,782,417	2,228,704,768	111,720,787
	1549 Manu.of other food products n.e.c	310	2,553	1,386	41,917,800	511,523,000	305,692,160	205,830,840	-
155 Manu.of beverages	Group Total	173	5,322	5,295	842,670,407	22,543,406,873	5,038,247,449	17,505,159,424	697,270,115
	1551 Manufacture of beverages	3	534	529	125,332,287	7,998,631,098	1,742,755,632	6,255,875,466	274,677,217
	1552 Manu.of wine, bottled toddy and similar products	2	24	24	1,427,304	8,124,944	4,424,590	3,700,354	-
	1553 Manu.of all other beverages such as beer and stout	2	344	344	62,040,000	9,045,075,812	1,335,258,770	7,709,817,042	259,239,226
	1554 Manu.of beverages such as soft drinks, soda etc	166	4,421	4,399	653,870,816	5,491,575,019	1,955,808,458	3,535,766,562	163,353,672
160 Manu.of tobacco products	Group Total	129	4,896	4,623	1,239,314,190	36,961,246,985	3,291,266,358	33,669,980,627	319,753,986
	1601 Manu.of tobacco products	14	852	811	141,109,315	672,403,198	122,553,988	549,849,210	19,169,978
	1602 Manu.of Cigarette, Cigar & Beedi	102	2,625	2,417	862,526,291	35,085,880,724	2,530,322,156	32,555,558,568	234,020,734
	1609 Tobacco based products	13	1,420	1,396	235,678,584	1,202,963,063	638,390,214	564,572,849	66,563,274
171 Spinning, weaving and finishing of Textiles	Group Total	1,358	23,570	22,819	2,284,098,092	29,061,234,532	20,930,981,916	8,130,252,616	1,762,034,597
	1711 Prepa. & spinning of Textiles fibres, weaving of texti	1,172	17,934	17,182	1,571,780,561	13,575,152,126	9,766,430,471	3,808,721,655	1,125,694,272
	1712 Finishing of Textiles	186	5,637	5,637	712,317,530	15,486,082,406	11,164,551,446	4,321,530,960	636,340,325

(cont.)

**Table 1 : Principal indicators of industrial activity classified by industry - 2007
(Establishments with 5 or more persons engaged)**

Type of industry	No. of establishments	Persons engaged (No.)	Employees (No.)	Salaries & Wages (Rs.)	Value of output (Rs.)	Value of input (Rs.)	Value added (Rs.)	Gross additions to fixed assets (Rs.)	
172 Manu.of other Textiles	Group Total	708	26,331	25,292	2,425,292,370	18,048,578,891	11,064,207,687	6,984,371,204	1,620,523,701
	1721 Manu.of made-up textile article, except apparel	293	18,823	18,333	1,429,778,940	7,784,631,391	4,403,720,496	3,380,910,895	74,024,726
	1722 Manu.of carpets and rugs	29	450	397	42,041,407	228,432,428	140,341,809	88,090,619	24,485,248
	1723 Manu.of Cordage, Rope, twine & netting	229	4,483	4,275	705,406,238	8,093,104,993	5,670,596,483	2,422,508,510	1,338,453,906
	1724 Manufacture of Sanitary Towels & Pampers	137	1,313	1,054	60,510,000	229,810,575	145,490,200	84,320,375	900,000
	1726 Manu. of Laces and embroidered cloths	6	719	719	96,874,450	383,645,967	163,930,101	219,715,866	51,929,608
	1727 Manu. of Labels, badges (cloth based)	4	462	462	85,761,334	1,294,636,538	538,876,048	755,760,489	130,730,213
	1729 Cloth and coir based other products	10	82	51	4,920,000	34,317,000	1,252,550	33,064,450	-
173 Manu.of knitted and crocheted fabrics and articles	Group Total	115	84,986	84,977	39,330,972,191	562,376,078,671	389,130,941,831	173,245,136,839	66,237,573,092
	1731 Manufacture of knitted Garments	90	70,129	70,127	36,524,369,799	541,451,914,420	377,669,891,530	163,782,022,890	62,859,149,902
	1732 Manufacture of knitted socks, purses and Hand glouses	12	10,043	10,043	1,595,334,448	8,175,955,486	4,499,402,542	3,676,552,945	1,249,811,400
	1733 Manufacture of Knitted Lace	2	555	555	93,292,857	1,761,903,923	1,088,868,239	673,035,684	1,188,813,471
	1739 Elastomeric Yarn & other rubber thread based products	11	4,259	4,252	1,117,975,087	10,986,304,840	5,872,779,521	5,113,525,320	939,798,320
181 Manu.of weaving Apparel except fur apparels	Group Total	2,063	394,464	391,932	47,372,284,030	354,173,839,569	185,814,772,863	168,359,066,706	14,608,153,888
	1810 Manufacture of weaving Apparel, except fur apparels	2,063	394,464	391,932	47,372,284,030	354,173,839,569	185,814,772,863	168,359,066,706	14,608,153,888
191 Tanning & dressing of leather; manu. of luggage, Hand b	Group Total	59	1,339	1,238	128,286,550	802,286,900	526,356,088	275,930,813	8,322,997
	1912 Manu.of luggage, hand bags	56	605	507	31,035,000	110,241,800	57,452,600	52,789,200	75,000
	1913 Manu. of Bags & rain coats, artificial leather product	3	734	731	97,891,550	692,045,100	468,903,488	223,141,613	8,247,297
192 Manu.of footwear	Group Total	124	9,072	8,852	1,150,191,345	7,642,010,052	4,577,100,668	3,064,909,384	122,780,284
	1920 Manufacturing of footwear	124	9,072	8,852	1,150,191,345	7,642,010,052	4,577,100,668	3,064,909,384	122,780,284
201 Saw-milling and planning of wood	Group Total	781	6,100	4,963	555,814,417	2,488,148,958	1,244,743,970	1,243,404,988	32,402,127
	2010 Saw-milling and planning of wood	781	6,100	4,963	555,814,417	2,488,148,958	1,244,743,970	1,243,404,988	32,402,127
202 Manu.of produ. of wood, cork, straw & plaiting material	Group Total	295	5,954	5,534	479,671,202	1,851,982,749	965,108,594	886,874,154	187,794,656
	2021 Manu.of veneer sheets, plywood, lamin board, particle	67	1,863	1,728	177,369,140	733,324,417	401,994,754	331,329,664	39,222,091
	2022 Manufacture of builders carpentry and joinery	96	606	429	37,685,900	160,167,600	79,490,336	80,677,264	10,752,500
	2024 Manu.of produ. by cork barks, wood utencils from reed,	29	333	327	10,759,064	9,080,118	2,447,484	6,632,634	-
	2025 Manu.of Household utencils of other wooden article and	82	2,359	2,298	182,794,051	702,458,722	372,724,588	329,734,133	121,289,269
	2028 Manu.of other office equipment & wood articles	20	793	752	71,063,048	246,951,892	108,451,432	138,500,459	16,530,797
210 Manu.of paper and paper products	Group Total	159	9,250	9,176	1,906,434,322	31,762,915,238	24,503,881,145	7,259,034,093	1,009,326,219
	2101 Manufacture of pulp, paper and paperboards	25	956	947	128,118,695	759,474,323	469,965,847	289,508,476	21,497,401
	2102 Manu.of corrugated paper & paperboard & containers of	15	2,846	2,846	470,697,033	9,620,700,798	6,972,099,724	2,648,601,074	311,758,137
	2103 Manufacture of cards, files, books and pads	36	761	729	74,809,910	309,202,934	174,895,607	134,307,327	318,118,572
	2104 Manu.of toys, plates, cups, spoons, knives & ornaments	1	21	21	1,381,545	1,830,701	123,472	1,707,229	-
	2109 Manu.of pulp paper and paper boards articles n.e.c	82	4,667	4,634	1,231,427,139	21,071,706,482	16,886,796,496	4,184,909,987	357,952,109
221 Publishing, printing and reproduction of recorded media	Group Total	1	46	42	3,816,225	56,815,798	44,721,881	12,093,917	-
	2211 Publishing of books, brochures, musical books	1	46	42	3,816,225	56,815,798	44,721,881	12,093,917	-
222 Printing & service activities related to printing for o	Group Total	506	18,368	17,895	3,955,060,797	25,271,564,292	14,754,804,953	10,516,759,339	2,067,688,210
	2221 Printing of newspapers, journals & periodicals for oth	473	15,974	15,531	3,688,069,154	23,331,333,682	14,275,069,702	9,056,263,981	1,749,678,121
	2222 Service activities related to printing	32	2,395	2,364	266,991,643	1,940,230,610	479,735,251	1,460,495,359	318,010,089
232 Manu.of refined petroleum products	Group Total	2	3,047	3,047	1,916,149,572	125,920,356,397	113,622,157,840	12,298,198,557	330,149,273
	2320 Manu.of refined petroleum products	2	3,047	3,047	1,916,149,572	125,920,356,397	113,622,157,840	12,298,198,557	330,149,273

(cont.)

**Table 1 : Principal indicators of industrial activity classified by industry - 2007
(Establishments with 5 or more persons engaged)**

Type of industry	No. of establishments	Persons engaged (No.)	Employees (No.)	Salaries & Wages (Rs.)	Value of output (Rs.)	Value of input (Rs.)	Value added (Rs.)	Gross additions to fixed assets (Rs.)	
241 Manu.of basic chemicals	Group Total	83	2,790	2,737	576,294,304	25,887,389,284	13,161,701,297	12,725,687,987	3,488,823,841
	2412 Manu.of fertilizer & nitrogen compounds	2	28	28	2,331,624	12,559,112	3,441,778	9,117,334	-
	2413 Manu.of plastic in primary forms and synthetic rubber	46	916	914	173,851,765	1,543,455,294	931,099,529	612,355,765	3,406,834,477
	2414 Manu.of Natural carbonic fertilizers	35	1,846	1,795	400,110,916	24,331,374,878	12,227,159,990	12,104,214,888	81,989,364
242 Manu.of other chemical products	Group Total	310	14,965	14,679	3,969,693,512	49,893,512,591	32,240,961,007	17,652,551,584	798,876,395
	2421 Manu.of pesticides and other agro-chemical products	25	2,660	2,660	1,776,554,847	23,686,024,416	17,132,959,883	6,553,064,533	228,938,245
	2422 Manu.of paints, varnishes & similar coatings, printing	41	1,343	1,299	276,895,098	7,092,199,787	4,381,139,184	2,711,060,603	138,498,897
	2423 Manu.of pharmaceuticals, medicinal chemicals & botanica	96	6,808	6,761	1,545,714,077	15,052,345,443	8,413,416,852	6,638,928,591	279,271,847
	2424 Manu.of soap & detergent, cleaning, perfumies & toilet	13	764	761	101,065,963	2,129,724,716	1,616,164,657	513,560,059	58,511,388
	2425 Manu.of explosives, crackers and other firework	74	563	420	32,514,000	117,720,000	51,979,500	65,740,500	-
	2426 Manu.of mosquito-coils, camphor, naphthaline balls, inc	19	395	381	24,966,743	141,138,556	38,074,457	103,064,099	-
	2427 Manu.of processed salt (for food)	2	1,593	1,593	81,360,155	459,069,248	111,042,555	348,026,693	26,902,352
	2428 Manu.of chemicals and activated carbon	4	516	516	99,302,629	1,163,090,426	489,613,920	673,476,506	64,773,666
	2429 Manu.of other chemical products n.e.c	36	324	288	31,320,000	52,200,000	6,570,000	45,630,000	1,980,000
251 Manu.of rubber products	Group Total	528	41,536	41,266	5,546,409,298	95,991,631,807	50,427,419,726	45,564,212,081	3,922,502,663
	2511 Manu. of rubber tyres and tubes, rebuilding of rubber t	39	11,474	11,466	1,851,295,327	41,644,147,226	19,739,972,692	21,904,174,534	2,014,038,094
	2512 Manu. of rubber condoms, rubber gloves	8	6,343	6,341	413,158,368	6,691,239,592	4,531,440,376	2,159,799,216	162,332,660
	2513 Manu. of product from natural rubber	200	11,864	11,836	1,360,976,212	23,049,997,803	13,047,196,560	10,002,801,243	355,744,129
	2514 Manu. of article of rubber	163	6,121	6,044	773,789,534	16,127,101,361	9,104,812,461	7,022,288,899	920,069,858
	2519 Manu. of rubber products (not classified elsewhere)	118	5,733	5,580	1,147,189,856	8,479,145,825	4,003,997,636	4,475,148,189	470,317,922
252 Manu. of plastic products	Group Total	255	18,700	18,418	2,622,241,684	37,276,766,458	21,739,049,438	15,537,717,020	1,265,082,227
	2520 Manu. of plastic products	255	18,700	18,418	2,622,241,684	37,276,766,458	21,739,049,438	15,537,717,020	1,265,082,227
269 Manu. of Non metallic mineral products(Not elsewhere cla	Group Total	2,836	65,565	61,884	7,590,857,091	56,488,250,191	27,758,739,747	28,729,510,444	3,535,434,075
	2691 Manu. of non-structural non-refractory ceramic ware	37	6,193	6,128	965,075,173	6,051,954,683	2,834,968,660	3,216,986,023	483,768,887
	2693 Manu. of structural non refractory clay & ceramic produ	1,769	19,244	17,227	1,372,327,858	10,354,022,394	5,909,411,569	4,444,610,825	1,255,237,781
	2694 Manu. of cement lime, and plaster	86	817	812	186,607,536	12,306,755,279	4,483,164,024	7,823,591,254	25,716,429
	2695 Manu. of articles of concrete, cement & plaster	313	28,988	28,340	3,625,011,543	21,333,401,399	12,204,496,998	9,128,904,401	642,891,961
	2696 Cutting, shaping & finishing of rough stones	626	9,928	8,983	1,380,263,002	6,139,589,325	2,178,362,640	3,961,226,686	1,025,465,589
	2697 Refining of Ilmanite, surcon & refining of plumbago	5	180	180	18,000,000	24,375,000	5,570,000	18,805,000	-
	2699 Manu. of other non-metalic mineral products n.e.c	2	215	215	43,571,979	278,152,111	142,765,857	135,386,254	102,353,429
271 Manu. of basic iron & steel	Group Total	1	107	107	14,700,000	2,500,000,000	2,427,228,277	72,771,723	10,829,651
	2710 Manu. of basic iron & steel	1	107	107	14,700,000	2,500,000,000	2,427,228,277	72,771,723	10,829,651
272 Manu. of basic precious & non-ferrous metal	Group Total	3	109	109	11,472,000	1,386,194,014	971,097,860	415,096,154	-
	2720 Manu. of basic precious & non-ferrous metal	3	109	109	11,472,000	1,386,194,014	971,097,860	415,096,154	-
273 Casting of metals	Group Total	87	5,233	5,178	964,331,808	16,030,950,773	7,791,992,057	8,238,958,716	6,320,841,309
	2731 Casting of iron & steel	68	2,263	2,220	249,348,165	3,209,160,700	2,483,714,101	725,446,599	5,876,176,191
	2732 Casting of Non ferrous metals	20	2,971	2,957	714,983,643	12,821,790,073	5,308,277,956	7,513,512,117	444,665,119
281 Manu. of structural metal products, tanks, reservoirs &	Group Total	205	2,277	1,981	288,101,499	1,395,813,166	496,750,178	899,062,988	103,090,783
	2811 Manu. of structural metal products	182	1,334	1,082	158,406,816	371,398,133	150,263,591	221,134,543	72,757,500
	2812 Manu. of tanks, resorvoirs & containers of metal except	23	943	899	129,694,683	1,024,415,033	346,486,588	677,928,445	30,333,283

(cont.)

**Table 1 : Principal indicators of industrial activity classified by industry - 2007
(Establishments with 5 or more persons engaged)**

Type of industry	No. of establishments	Persons engaged (No.)	Employees (No.)	Salaries & Wages (Rs.)	Value of output (Rs.)	Value of input (Rs.)	Value added (Rs.)	Gross additions to fixed assets (Rs.)	
289 Manu.of other fabricated metal products	Group Total	539	10,349	9,495	1,101,581,819	8,777,878,085	5,630,205,369	3,147,672,717	199,356,788
	2892 Treatment & coating of metal general mechanical engine	174	2,115	1,908	218,866,320	1,299,690,280	737,398,951	562,291,328	2,780,662
	2893 Manu.of cutlery, hand tools & general hardware	150	2,752	2,500	274,440,047	1,521,438,623	1,071,168,686	450,269,937	133,654,528
	2894 Manu.of other brass articles	61	303	182	2,468,400	242,877,250	205,234,150	37,643,100	1,210,000
	2895 Manu.of non threaded metal products	3	327	322	33,543,138	846,780,092	489,676,966	357,103,126	5,257,397
	2896 Manu.of Metal cooking utensils, household appliances &	74	683	550	25,650,303	69,706,505	34,703,415	35,003,090	3,509,000
	2897 Manu.of Metal cables and similar articles	4	24	24	1,408,000	4,000,000	442,400	3,557,600	-
	2898 Manu.of Containers used for the packing or conveyance	22	2,339	2,298	254,207,831	1,063,031,085	730,223,303	332,807,782	1,776,000
	2899 Manu.of other fabricated metal products	52	1,807	1,712	290,997,780	3,730,354,250	2,361,357,497	1,368,996,753	51,169,202
291 Manu.of general purpose machinery	Group Total	16	4,653	4,636	670,043,849	2,208,969,254	1,339,404,015	869,565,239	157,430,802
	2911 Manu.of engine and turbines, except aircraft, vehicle	2	188	182	71,881,312	97,416,667	4,115,710	93,300,957	-
	2912 Manu.of pumps, compressors, taps and valves	6	4,194	4,183	581,227,386	2,064,044,254	1,327,126,305	736,917,949	157,430,802
	2919 Manu.of other general purpose machinery	8	271	271	16,935,151	47,508,333	8,162,000	39,346,333	-
292 Manu.of special purpose machinery	Group Total	65	3,079	3,027	541,081,881	6,667,118,212	4,846,444,586	1,820,673,626	338,978,789
	2921 Manu.of agricultural & forestry machinery	61	2,485	2,433	346,287,924	4,997,888,921	3,736,510,683	1,261,378,238	317,639,808
	2925 Manu.of machinery for Food, beverage & tobacco proce.	2	28	28	4,036,000	14,502,263	8,167,575	6,334,688	1,300,000
	2926 Manu.of machinery for textile, apparel & leather produ	1	183	183	49,260,072	779,307,577	560,547,773	218,759,804	13,680,496
	2929 Manu.of other special purpose machinery (Not elsewhere	2	383	383	141,497,886	875,419,452	541,218,555	334,200,896	6,358,486
293 Manu.of domestic appliance n.e.c.	Group Total	23	937	909	140,385,036	4,594,764,013	3,879,370,308	715,393,705	70,871,811
	2930 Manu.of domestic appliance n.e.c.	23	937	909	140,385,036	4,594,764,013	3,879,370,308	715,393,705	70,871,811
300 Manu.of office, accounting and computing machinery	Group Total	6	5,226	5,220	601,027,248	6,136,094,411	3,203,253,197	2,932,841,214	48,734,145
	3000 Manu.of office, accounting and computing machinery	6	5,226	5,220	601,027,248	6,136,094,411	3,203,253,197	2,932,841,214	48,734,145
311 Manu.of electronic motors, generators and transformers	Group Total	8	3,125	3,125	423,099,615	7,226,861,351	4,682,977,120	2,543,884,232	154,483,123
	3110 Manu.of electric motors, generators and transformers	8	3,125	3,125	423,099,615	7,226,861,351	4,682,977,120	2,543,884,232	154,483,123
312 Manu.of electricity distribution and control apparatus	Group Total	25	2,378	2,369	335,851,094	4,589,137,545	2,990,261,135	1,598,876,410	143,433,374
	3120 Manu.of electricity distribution and control apparatus	25	2,378	2,369	335,851,094	4,589,137,545	2,990,261,135	1,598,876,410	143,433,374
313 Manu.of insulated wire and cables	Group Total	12	1,697	1,697	260,742,723	27,179,139,233	18,741,893,275	8,437,245,958	526,139,200
	3130 Manu.of insulated wire and cables	12	1,697	1,697	260,742,723	27,179,139,233	18,741,893,275	8,437,245,958	526,139,200
314 Manu.of accumulators primary cells and primary batterie	Group Total	5	963	963	385,308,480	4,372,299,459	3,314,614,889	1,057,684,571	585,285,946
	3140 Manu.of accumulators primary cells and primary batteri	5	963	963	385,308,480	4,372,299,459	3,314,614,889	1,057,684,571	585,285,946
315 Manu.of electric lamps and lighting equipments	Group Total	10	550	550	45,846,680	348,932,220	328,066,900	20,865,320	-
	3150 Manu.of electric lamps and lighting equipments	10	550	550	45,846,680	348,932,220	328,066,900	20,865,320	-
319 Manu.of other electrical equipments n.e.c.	Group Total	1	6	6	255,000	1,500,000	981,575	518,425	-
	3190 Manu.of other electrical equipments n.e.c	1	6	6	255,000	1,500,000	981,575	518,425	-
321 Manu.of electronic valves, tubes & other	Group Total	24	1,910	1,910	308,759,011	2,454,915,484	1,424,953,218	1,029,962,266	235,446,501
	3210 Manu.of electronic valves, tubes & other	24	1,910	1,910	308,759,011	2,454,915,484	1,424,953,218	1,029,962,266	235,446,501
322 Manu.of TV & Radio transmitters	Group Total	5	161	161	16,565,600	26,641,190	4,171,594	22,469,596	855,000
	3220 Manu.of TV & radio transmitters & apparatus for line t	5	161	161	16,565,600	26,641,190	4,171,594	22,469,596	855,000
323 Manu.of TV & Radio receivers, sound or vedio recording	Group Total	7	526	523	62,868,032	424,664,168	310,959,619	113,704,549	490,790
	3230 Manu.of TV & radio receivers sound or video recording	7	526	523	62,868,032	424,664,168	310,959,619	113,704,549	490,790
331 Manu.of medical appliances & instruments & appliances f	Group Total	3	27	21	2,220,840	26,693,397	14,981,604	11,711,793	737,550
	3313 Manu.of industrial process control equipments	3	27	21	2,220,840	26,693,397	14,981,604	11,711,793	737,550
332 Manu.of optical instruments and photographic equipments	Group Total	1	31	30	2,408,000	6,478,550	3,710,000	2,768,550	-
	3320 Manu.of optical instruments and photographic equipment	1	31	30	2,408,000	6,478,550	3,710,000	2,768,550	-

(cont.)

**Table 1 : Principal indicators of industrial activity classified by industry - 2007
(Establishments with 5 or more persons engaged)**

Type of industry	No. of establishments	Persons engaged (No.)	Employees (No.)	Salaries & Wages (Rs.)	Value of output (Rs.)	Value of input (Rs.)	Value added (Rs.)	Gross additions to fixed assets (Rs.)	
341 Manu.of motor vehicles	Group Total	19	453	449	51,323,837	200,255,291	119,839,541	80,415,750	398,581
	3410 Manu.of motor vehicles	19	453	449	51,323,837	200,255,291	119,839,541	80,415,750	398,581
342 Manu.of bodies for Motor vehicles, Manu. of trailers &	Group Total	15	625	616	97,293,731	94,439,098	52,072,689	42,366,409	1,799,100
	3420 Manu.of bodies for Motor vehicles, Manu. of trailers &	15	625	616	97,293,731	94,439,098	52,072,689	42,366,409	1,799,100
343 Manu.of spare parts and accessories for motor vehicles	Group Total	19	1,009	1,000	220,079,184	1,514,001,216	722,035,579	791,965,637	465,582,922
	3430 Manu.of spare parts and accessories for motor vehicles	19	1,009	1,000	220,079,184	1,514,001,216	722,035,579	791,965,637	465,582,922
351 Building and repairing of ships and boats	Group Total	36	5,682	5,633	2,058,331,155	12,834,184,119	7,835,094,812	4,999,089,307	611,676,744
	3511 Building and repairing of ships	31	3,197	3,149	1,759,195,261	10,148,866,032	6,087,163,675	4,061,702,357	539,865,065
	3512 Building and repairing of pleasure & sporting boats	5	2,485	2,485	299,135,894	2,685,318,087	1,747,931,137	937,386,950	71,811,679
352 Manu.of railway and tramway locomotives and rolling stock	Group Total	1	196	196	17,958,000	26,124,000	3,281,171	22,842,829	-
	3520 Manu.of railway & tramway locomotives & rolling stock	1	196	196	17,958,000	26,124,000	3,281,171	22,842,829	-
359 Manu.of transport equipment n.e.c.	Group Total	15	3,736	3,727	478,419,380	9,953,496,658	4,420,134,164	5,533,362,494	463,629,342
	3591 Manu.of motorcycles & motor tricycle (three wheelers)	4	495	492	73,184,800	108,530,627	29,164,501	79,366,126	28,800,000
	3592 Manu.of bicycles & invalid carriages	5	3,187	3,187	401,898,580	9,812,566,031	4,370,366,173	5,442,199,858	434,829,342
	3593 Manu.of other transport equipment	6	54	48	3,336,000	32,400,000	20,603,490	11,796,510	-
361 Manu.of furniture	Group Total	397	13,636	13,476	1,405,231,940	14,233,210,405	9,371,393,336	4,861,817,069	2,116,855,112
	3610 Manu.of furniture	397	13,636	13,476	1,405,231,940	14,233,210,405	9,371,393,336	4,861,817,069	2,116,855,112
369 Manu.of other product not elsewhere classified	Group Total	314	24,359	24,102	2,450,368,483	18,422,045,604	9,898,322,475	8,523,723,129	845,433,082
	3691 Manu.of jewellery and related articles	71	3,314	3,276	468,899,016	4,751,321,938	3,086,202,378	1,665,119,560	233,553,356
	3693 Manu.of sports goods	4	723	722	87,898,387	455,765,123	248,953,295	206,811,828	20,884,912
	3694 Manu.of toys & games	23	5,792	5,789	549,645,732	3,794,537,544	1,106,610,344	2,687,927,200	171,129,352
	3699 Other manufacturing not elsewhere classified	217	14,530	14,315	1,343,925,349	9,420,421,000	5,456,556,459	3,963,864,541	419,865,462
372 Recycling of non-metal waste and scrap	Group Total	10	536	521	66,397,112	914,150,675	561,611,303	352,539,372	58,705,941
	3720 Recycling of non-metal waste and scrap	10	536	521	66,397,112	914,150,675	561,611,303	352,539,372	58,705,941
401 Production, collection & distribution of electricity	Group Total	23	14,620	14,617	8,771,330,638	104,670,547,633	42,697,103,432	61,973,444,201	50,467,361,680
	4010 Production, collection & distribution of electricity	23	14,620	14,617	8,771,330,638	104,670,547,633	42,697,103,432	61,973,444,201	50,467,361,680
402 Manu.of gas	Group Total	3	306	306	55,620,000	7,965,154,185	1,231,942,200	6,733,211,985	-
	4020 Manu.of gas	3	306	306	55,620,000	7,965,154,185	1,231,942,200	6,733,211,985	-
410 Collection, purification and distribution of water	Group Total	25	9,345	9,286	4,289,894,905	7,837,779,298	1,978,406,654	5,859,372,644	11,915,701,103
	4100 Collection, purification and distribution of water	25	9,345	9,286	4,289,894,905	7,837,779,298	1,978,406,654	5,859,372,644	11,915,701,103
Total		18,069	1,010,487	984,110	166,796,143,661	2,176,063,428,390	1,301,096,803,353	874,966,625,037	197,483,898,512

Table 2 : Principal indicators of industrial activity classified by industry - 2007
(Establishments with 25 or more persons engaged)

Type of industry	No. of establishments	Persons engaged (No.)	Employees (No.)	Salaries & Wages (Rs.)	Value of output (Rs.)	Value of input (Rs.)	Value added (Rs.)	Gross additions to fixed assets (Rs.)	
141 Quarrying of stone Clay and Sand	Group Total	18	650	650	100,840,000	1,692,254,320	393,614,725	1,298,639,595	318,000
	1412 Braking of Granite	13	335	335	48,040,000	117,024,200	3,743,200	113,281,000	318,000
	1413 Quarrying of Sand & Gravel	5	315	315	52,800,000	1,575,230,120	389,871,525	1,185,358,595	-
142 Mining and Quarrying n.e.c	Group Total	179	12,287	10,411	1,133,101,775	3,279,071,849	547,539,074	2,731,532,775	267,002,915
	1421 Mining of chemical and Fertilizer minerals	1	308	308	64,481,340	232,046,000	122,197,000	109,849,000	610,000
	1422 Extraction of salt	47	7,612	7,280	848,044,100	2,368,931,490	168,189,139	2,200,742,351	148,525,440
	1423 Mining of precious and semi precious stones	129	3,924	2,380	120,689,333	205,866,667	77,521,667	128,345,000	-
	1429 Other Mining & Quarrying N.e.c	2	443	443	99,887,002	472,227,692	179,631,268	292,596,424	117,867,475
151 Produ., proce. & preserving of meat, fish,fruit, vegeta	Group Total	57	8,288	8,212	1,055,419,474	20,674,804,443	13,789,969,734	6,884,834,709	1,400,136,528
	1511 Processing and Preserving of Meat and Meat Product	7	2,564	2,555	255,805,218	6,413,206,435	4,242,129,532	2,171,076,903	356,319,696
	1512 Processing and Preserving of fish and fish Products	6	998	998	277,939,662	7,847,148,322	5,356,209,086	2,490,939,236	14,898,532
	1513 Processing & Preserving of fruits & Vegetables	5	694	684	93,611,430	1,244,758,449	467,347,411	777,411,037	24,413,624
	1514 Manufacture of Vegetable oils animal oils & fats	38	4,033	3,974	428,063,164	5,169,691,237	3,724,283,704	1,445,407,533	1,004,504,676
152 Manufacture of Dairy Products	Group Total	14	4,331	4,322	1,019,272,356	47,402,165,687	36,813,263,001	10,588,902,686	639,514,102
	1520 Manufacture of Dairy Products	14	4,331	4,322	1,019,272,356	47,402,165,687	36,813,263,001	10,588,902,686	639,514,102
153 Manu.of grain mill products and prepared animal feeds	Group Total	29	4,244	4,236	715,477,963	68,828,340,079	49,766,568,428	19,061,771,651	3,231,113,338
	1531 Manufacture of Grain Mill Products	27	4,006	3,998	604,477,963	64,353,308,079	48,394,102,428	15,959,205,651	2,788,481,338
	1533 Preparation of Animal food from milling waist	2	238	238	111,000,000	4,475,032,000	1,372,466,000	3,102,566,000	442,632,000
154 Manu.of other food products	Group Total	936	83,856	82,126	9,068,364,025	224,834,803,239	104,100,427,293	120,734,375,946	13,155,672,430
	1541 Manufacture of bakery products	155	15,450	14,457	1,802,976,953	26,218,076,551	11,957,297,300	14,260,779,252	1,885,144,975
	1542 Manufacture of Cane sugar and molasses	2	1,089	1,089	161,219,112	2,597,466,300	1,698,013,587	899,452,713	322,807,307
	1543 Manu.of cocoa, chocolate and sugar confectionary	30	2,977	2,907	281,708,848	3,295,399,168	2,224,632,027	1,070,767,141	182,607,570
	1544 Manu.of macaroni, noodles couscous and similar farinac	31	2,282	2,182	219,663,459	3,228,405,288	2,138,831,273	1,089,574,015	283,429,766
	1545 Manu.of Coffee & Soya Products for drinking	22	1,179	1,179	207,644,917	1,364,207,016	727,245,011	636,962,005	92,948,214
	1546 Manu.of tea and tea products	664	58,489	57,940	6,231,065,642	185,240,391,198	84,431,589,726	100,808,801,473	10,293,798,212
	1547 Manu.of chilly-power, condiments powder, proce.of spic	33	2,390	2,371	164,085,095	2,890,857,717	922,818,370	1,968,039,347	94,936,387
155 Manu.of beverages	Group Total	52	3,808	3,803	618,996,744	21,418,906,093	4,381,048,565	17,037,857,528	697,270,115
	1551 Manufacture of beverages	3	534	529	125,332,287	7,998,631,098	1,742,755,632	6,255,875,466	274,677,217
	1553 Manu.of all other beverages such as beer and stout	2	344	344	62,040,000	9,045,075,812	1,335,258,770	7,709,817,042	259,239,226
	1554 Manu.of beverages such as soft drinks, soda etc	47	2,931	2,931	431,624,456	4,375,199,183	1,303,034,163	3,072,165,020	163,353,672
160 Manu.of tobacco products	Group Total	21	3,889	3,824	1,199,541,519	35,987,831,483	2,717,841,414	33,269,990,069	291,491,486
	1601 Manu.of tabacco products	1	700	700	136,683,315	651,183,498	109,119,438	542,064,060	18,944,978
	1602 Manu.of Cigarette, Cigar & Beedi	19	1,829	1,764	829,639,620	34,793,684,922	2,390,631,762	32,403,053,160	206,013,234
	1609 Tobacco based products	1	1,360	1,360	233,218,584	542,963,063	218,090,214	324,872,849	66,533,274
171 Spinning, weaving and finishing of Textiles	Group Total	53	9,907	9,901	1,219,249,724	25,370,623,730	19,184,897,567	6,185,726,162	1,755,626,348
	1711 Prepa. & spinning of Textiles fibres, weaving of texti	40	5,824	5,818	606,388,193	11,510,197,991	8,991,950,088	2,518,247,902	1,119,286,023
	1712 Finishing of Textiles	13	4,083	4,083	612,861,530	13,860,425,739	10,192,947,479	3,667,478,260	636,340,325
172 Manu.of other Textiles	Group Total	117	21,357	21,253	2,173,648,457	16,355,987,307	10,551,608,583	5,804,378,724	1,556,704,097
	1721 Manu.of made-up textile article, except apparel	96	17,014	16,917	1,384,441,149	7,565,976,729	4,272,487,269	3,293,489,460	69,828,255
	1722 Manu.of carpets and rugs	2	223	222	29,890,709	160,691,033	120,207,308	40,483,725	24,362,248
	1723 Manu.of Cordage, Rope, twine & netting	9	2,938	2,933	576,680,814	6,951,037,041	5,456,107,857	1,494,929,184	1,279,853,773
	1726 Manu. of Laces and embroidered cloths	6	719	719	96,874,450	383,645,967	163,930,101	219,715,866	51,929,608
	1727 Manu. of Labels, badges (cloth based)	4	462	462	85,761,334	1,294,636,538	538,876,048	755,760,489	130,730,213

(cont.)

**Table 2 : Principal indicators of industrial activity classified by industry - 2007
(Establishments with 25 or more persons engaged)**

Type of industry	No. of establishments	Persons engaged (No.)	Employees (No.)	Salaries & Wages (Rs.)	Value of output (Rs.)	Value of input (Rs.)	Value added (Rs.)	Gross additions to fixed assets (Rs.)	
173 Manu.of knitted and crocheted fabrics and articles	Group Total	113	84,950	84,943	39,330,358,074	562,375,055,141	389,130,924,773	173,244,130,369	66,237,573,092
	1731 Manufacture of knitted Garments	88	70,093	70,093	36,523,755,681	541,450,890,891	377,669,874,471	163,781,016,420	62,859,149,902
	1732 Manufacture of knitted socks, purses and Hand glouses	12	10,043	10,043	1,595,334,448	8,175,955,486	4,499,402,542	3,676,552,945	1,249,811,400
	1733 Manufacture of Knitted Lace	2	555	555	93,292,857	1,761,903,923	1,088,868,239	673,035,684	1,188,813,471
	1739 Elastomeric Yarn & other rubber thread based products	11	4,259	4,252	1,117,975,087	10,986,304,840	5,872,779,521	5,113,525,320	939,798,320
181 Manu.of weaving Apparel except fur apparels	Group Total	777	383,658	383,254	46,702,707,615	351,965,197,248	185,275,519,185	166,689,678,063	14,471,609,731
	1810 Manufacture of weaving Apparel, except fur apparels	777	383,658	383,254	46,702,707,615	351,965,197,248	185,275,519,185	166,689,678,063	14,471,609,731
191 Tanning & dressing of leather; manu. of luggage, Hand b	Group Total	3	734	731	97,891,550	692,045,100	468,903,488	223,141,613	8,247,297
	1913 Manu. of Bags & rain coats, artificial leather product	3	734	731	97,891,550	692,045,100	468,903,488	223,141,613	8,247,297
192 Manu.of footwear	Group Total	26	8,262	8,250	1,124,311,945	7,458,195,677	4,502,881,493	2,955,314,184	114,176,284
	1920 Manufacturing of footwear	26	8,262	8,250	1,124,311,945	7,458,195,677	4,502,881,493	2,955,314,184	114,176,284
201 Saw-milling and planning of wood	Group Total	2	179	179	34,306,451	177,269,541	74,312,967	102,956,574	-
	2010 Saw-milling and planning of wood	2	179	179	34,306,451	177,269,541	74,312,967	102,956,574	-
202 Manu.of produ. of wood, cork, straw & plaiting material	Group Total	71	3,774	3,727	314,556,833	1,253,304,119	706,323,817	546,980,303	169,915,756
	2021 Manu.of veneer sheets, plywood, lamin board, particle	7	1,154	1,154	106,676,140	467,401,834	291,971,321	175,430,513	39,192,091
	2025 Manu.of Household utensils of other wooden article and	44	1,827	1,820	136,817,645	538,950,394	305,901,063	233,049,330	114,192,869
	2028 Manu.of other office equipment & wood articles	20	793	752	71,063,048	246,951,892	108,451,432	138,500,459	16,530,797
210 Manu.of paper and paper products	Group Total	107	8,545	8,528	1,849,009,577	31,484,476,964	24,327,474,117	7,157,002,847	691,623,552
	2101 Manufacture of pulp, paper and paperboards	8	736	734	116,732,695	636,856,173	365,765,224	271,090,949	19,014,734
	2102 Manu.of corrugated paper & paperboard & containers of	15	2,846	2,846	470,697,033	9,620,700,798	6,972,099,724	2,648,601,074	311,758,137
	2103 Manufacture of cards, files, books and pads	7	418	403	34,428,410	177,263,011	111,475,724	65,787,287	2,898,572
	2109 Manu.of pulp paper and paper boards articles n.e.c	77	4,546	4,546	1,227,151,439	21,049,656,982	16,878,133,446	4,171,523,537	357,952,109
221 Publishing, printing and reproduction of recorded media	Group Total	1	46	42	3,816,225	56,815,798	44,721,881	12,093,917	-
	2211 Publishing of books, brochures, musical books	1	46	42	3,816,225	56,815,798	44,721,881	12,093,917	-
222 Printing & service activities related to printing for o	Group Total	95	13,061	12,896	3,171,425,319	21,300,543,496	12,743,982,499	8,556,560,996	2,023,616,124
	2221 Printing of newspapers, journals & periodicals for oth	62	10,666	10,533	2,904,433,676	19,360,312,886	12,264,247,248	7,096,065,637	1,705,606,035
	2222 Service activities related to printing	32	2,395	2,364	266,991,643	1,940,230,610	479,735,251	1,460,495,359	318,010,089
232 Manu.of refined petroleum products	Group Total	2	3,047	3,047	1,916,149,572	125,920,356,397	113,622,157,840	12,298,198,557	330,149,273
	2320 Manu.of refined petroleum products	2	3,047	3,047	1,916,149,572	125,920,356,397	113,622,157,840	12,298,198,557	330,149,273
241 Manu.of basic chemicals	Group Total	29	2,093	2,040	483,092,680	25,503,914,172	12,884,953,519	12,618,960,653	169,871,717
	2413 Manu.of plastic in primary forms and synthetic rubber	2	344	342	88,711,765	1,180,235,294	659,223,529	521,011,765	102,882,353
	2414 Manu.of Natural carbonic fertilizers	27	1,749	1,698	394,380,916	24,323,678,878	12,225,729,990	12,097,948,888	66,989,364
242 Manu.of other chemical products	Group Total	67	12,917	12,891	3,760,768,009	48,981,094,254	31,905,260,739	17,075,833,515	781,724,962
	2421 Manu.of pesticides and other agro-chemical products	25	2,660	2,660	1,776,554,847	23,686,024,416	17,132,959,883	6,553,064,533	228,938,245
	2422 Manu.of paints, varnishes & similar coatings, printing	5	1,158	1,155	267,681,498	7,021,504,787	4,365,692,334	2,655,812,453	138,498,897
	2423 Manu.of pharmaceuticals, medicinal chemicals & botanica	17	6,014	6,001	1,422,705,174	14,466,577,355	8,181,870,426	6,284,706,929	276,780,414
	2424 Manu.of soap & detergent, cleaning, perfumies & toilet	8	702	700	97,890,963	2,117,362,716	1,607,363,657	509,999,059	45,831,388
	2426 Manu.of mosquito-coils, camphor, naphthaline balls, inc	6	275	267	15,272,743	67,465,306	16,717,965	50,747,342	-
	2427 Manu.of processed salt (for food)	2	1,593	1,593	81,360,155	459,069,248	111,042,555	348,026,693	26,902,352
	2428 Manu.of chemicals and activated carbon	4	516	516	99,302,629	1,163,090,426	489,613,920	673,476,506	64,773,666

(cont.)

Table 2 : Principal indicators of industrial activity classified by industry - 2007
(Establishments with 25 or more persons engaged)

Type of industry	No. of establishments	Persons engaged (No.)	Employees (No.)	Salaries & Wages (Rs.)	Value of output (Rs.)	Value of input (Rs.)	Value added (Rs.)	Gross additions to fixed assets (Rs.)	
251 Manu.of rubber products	Group Total	246	36,682	36,514	5,008,502,388	80,397,390,493	40,761,934,112	39,635,456,381	3,130,647,893
	2511 Manu.of rubber tyres and tubes, rebuilding of rubber t	38	11,456	11,448	1,848,781,327	41,595,073,826	19,736,164,172	21,858,909,654	2,014,038,094
	2512 Manu.of rubber condoms, rubber gloves	8	6,343	6,341	413,158,368	6,691,239,592	4,531,440,376	2,159,799,216	162,332,660
	2513 Manu.of product from natural rubber	135	10,780	10,760	1,245,100,302	15,530,067,509	6,733,048,244	8,797,019,265	354,329,359
	2514 Manu.of article of rubber	23	3,144	3,066	438,683,534	8,453,677,057	5,917,151,399	2,536,525,657	301,319,858
	2519 Manu.of rubber products (not classified elsewhere)	43	4,959	4,900	1,062,778,856	8,127,332,508	3,844,129,920	4,283,202,589	298,627,922
252 Manu.of plastic products	Group Total	73	15,163	15,121	2,156,101,132	31,612,651,640	18,164,927,637	13,447,724,003	1,203,523,577
	2520 Manu.of plastic products	73	15,163	15,121	2,156,101,132	31,612,651,640	18,164,927,637	13,447,724,003	1,203,523,577
269 Manu.of Non metallic mineral products(Not elsewhere cla	Group Total	219	42,709	42,262	5,784,775,637	46,974,986,994	24,598,256,459	22,376,730,535	3,115,444,818
	2691 Manu.of non-structural non-refractory ceramic ware	9	5,888	5,888	916,954,063	5,916,824,433	2,760,826,285	3,155,998,148	482,793,887
	2693 Manu.of structural non refractory clay & ceramic produ	60	5,825	5,776	735,707,468	7,697,064,098	4,773,771,308	2,923,292,790	1,238,898,024
	2694 Manu.of cement lime, and plaster	3	294	294	125,095,536	9,389,353,929	4,127,181,349	5,262,172,579	25,716,429
	2695 Manu.of articles of concrete, cement & plaster	72	26,097	25,790	3,394,660,553	20,318,007,484	11,544,591,745	8,773,415,740	578,656,561
	2696 Cutting, shaping & finishing of rough stones	70	4,211	4,120	550,786,038	3,351,209,940	1,243,549,916	2,107,660,024	687,026,489
	2697 Refining of Ilmanite, surcon & refining of plumbago	5	180	180	18,000,000	24,375,000	5,570,000	18,805,000	-
	2699 Manu.of other non-metallic mineral products n.e.c	2	215	215	43,571,979	278,152,111	142,765,857	135,386,254	102,353,429
271 Manu.of basic iron & steel	Group Total	1	107	107	14,700,000	2,500,000,000	2,427,228,277	72,771,723	10,829,651
	2710 Manu.of basic iron & steel	1	107	107	14,700,000	2,500,000,000	2,427,228,277	72,771,723	10,829,651
272 Manu.of basic precious & non-ferrous metal	Group Total	2	100	100	10,632,000	1,354,260,000	950,702,000	403,558,000	-
	2720 Manu.of basic precious & non-ferrous metal	2	100	100	10,632,000	1,354,260,000	950,702,000	403,558,000	-
273 Casting of metals	Group Total	35	4,450	4,446	907,853,478	15,842,177,758	7,711,329,378	8,130,848,380	6,319,223,309
	2731 Casting of iron & steel	20	1,518	1,518	197,069,835	3,031,735,685	2,407,462,122	624,273,563	5,876,176,191
	2732 Casting of Non ferrous metals	15	2,932	2,927	710,783,643	12,810,442,073	5,303,867,256	7,506,574,817	443,047,119
281 Manu.of structural metal products, tanks, reservoirs &	Group Total	26	1,020	977	140,734,683	1,046,122,533	353,858,150	692,264,382	30,333,283
	2811 Manu.of structural metal products	3	78	78	11,040,000	21,707,500	7,371,563	14,335,938	-
	2812 Manu.of tanks, reservoirs & containers of metal except	23	943	899	129,694,683	1,024,415,033	346,486,588	677,928,445	30,333,283
289 Manu.of other fabricated metal products	Group Total	86	6,504	6,443	811,008,066	7,167,365,939	4,679,953,246	2,487,412,693	187,680,926
	2892 Treatment & coating of metal general mechanical engine	26	884	884	102,317,384	598,575,042	386,344,712	212,230,330	-
	2893 Manu.of cutlery, hand tools & general hardware	26	1,883	1,877	214,953,647	1,372,437,473	1,006,672,185	365,765,288	133,654,528
	2895 Manu.of non threaded metal products	3	327	322	33,543,138	846,780,092	489,676,966	357,103,126	5,257,397
	2896 Manu.of Metal cooking utensils, household appliances &	2	120	117	8,619,903	20,992,830	11,717,065	9,275,765	-
	2898 Manu.of Containers used for the packing or conveyance	22	2,339	2,298	254,207,831	1,063,031,085	730,223,303	332,807,782	1,776,000
	2899 Manu.of other fabricated metal products	8	951	945	197,366,164	3,265,549,417	2,055,319,015	1,210,230,402	46,993,001
291 Manu.of general purpose machinery	Group Total	13	4,617	4,601	666,961,849	2,197,200,921	1,331,586,015	865,614,906	156,530,802
	2911 Manu.of engine and turbines, except aircraft, vehicle	2	188	182	71,881,312	97,416,667	4,115,710	93,300,957	-
	2912 Manu.of pumps, compressors, taps and valves	5	4,182	4,172	580,369,386	2,062,409,254	1,326,612,305	735,796,949	156,530,802
	2919 Manu.of other general purpose machinery	7	247	247	14,711,151	37,375,000	858,000	36,517,000	-
292 Manu.of special purpose machinery	Group Total	18	2,238	2,238	446,648,415	6,052,792,332	4,404,810,674	1,647,981,658	281,578,789
	2921 Manu.of agricultural & forestry machinery	16	1,672	1,672	255,890,457	4,398,065,304	3,303,044,346	1,095,020,958	261,539,808
	2926 Manu.of machinery for textile, apparel & leather produ	1	183	183	49,260,072	779,307,577	560,547,773	218,759,804	13,680,496
	2929 Manu.of other special purpose machinery (Not elsewhere	2	383	383	141,497,886	875,419,452	541,218,555	334,200,896	6,358,486
293 Manu.of domestic appliance n. e.c.	Group Total	3	791	791	131,295,036	4,489,695,013	3,825,533,308	664,161,705	70,871,811
	2930 Manu.of domestic appliance n.e.c.	3	791	791	131,295,036	4,489,695,013	3,825,533,308	664,161,705	70,871,811

(cont.)

**Table 2 : Principal indicators of industrial activity classified by industry - 2007
(Establishments with 25 or more persons engaged)**

Type of industry	No. of establishments	Persons engaged (No.)	Employees (No.)	Salaries & Wages (Rs.)	Value of output (Rs.)	Value of input (Rs.)	Value added (Rs.)	Gross additions to fixed assets (Rs.)	
300 Manu.of office, accounting and computing machinery	Group Total	4	5,200	5,200	596,395,248	6,096,894,411	3,168,889,483	2,928,004,928	46,906,275
3000 Manu.of office, accounting and computing machinery		4	5,200	5,200	596,395,248	6,096,894,411	3,168,889,483	2,928,004,928	46,906,275
311 Manu.of electronic motors, generators and transformers	Group Total	8	3,125	3,125	423,099,615	7,226,861,351	4,682,977,120	2,543,884,232	154,483,123
3110 Manu.of electric motors, generators and transformers		8	3,125	3,125	423,099,615	7,226,861,351	4,682,977,120	2,543,884,232	154,483,123
312 Manu.of electricity distribution and control apparatus	Group Total	23	2,366	2,359	334,027,094	4,585,119,545	2,988,284,335	1,596,835,210	141,653,374
3120 Manu.of electricity distribution and control apparatus		23	2,366	2,359	334,027,094	4,585,119,545	2,988,284,335	1,596,835,210	141,653,374
313 Manu.of insulated wire and cables	Group Total	12	1,697	1,697	260,742,723	27,179,139,233	18,741,893,275	8,437,245,958	526,139,200
3130 Manu.of insulated wire and cables		12	1,697	1,697	260,742,723	27,179,139,233	18,741,893,275	8,437,245,958	526,139,200
314 Manu.of accumulators primary cells and primary batterie	Group Total	5	963	963	385,308,480	4,372,299,459	3,314,614,889	1,057,684,571	585,285,946
3140 Manu.of accumulators primary cells and primary batterie		5	963	963	385,308,480	4,372,299,459	3,314,614,889	1,057,684,571	585,285,946
315 Manu.of electric lamps and lighting equipments	Group Total	10	550	550	45,846,680	348,932,220	328,066,900	20,865,320	-
3150 Manu.of electric lamps and lighting equipments		10	550	550	45,846,680	348,932,220	328,066,900	20,865,320	-
321 Manu.of electronic valves, tubes & other	Group Total	6	1,782	1,782	301,609,011	2,427,195,484	1,409,355,218	1,017,840,266	235,446,501
3210 Manu.of electronic valves, tubes & other		6	1,782	1,782	301,609,011	2,427,195,484	1,409,355,218	1,017,840,266	235,446,501
322 Manu.of TV & Radio transmitters	Group Total	2	134	134	13,325,600	23,064,080	2,446,150	20,617,930	60,000
3220 Manu.of TV & radio transmitters & apparatus for line t		2	134	134	13,325,600	23,064,080	2,446,150	20,617,930	60,000
323 Manu.of TV & Radio receivers, sound or vedio recording	Group Total	4	492	490	59,592,032	414,866,168	304,949,619	109,916,549	490,790
3230 Manu.of TV & radio receivers sound or video recording		4	492	490	59,592,032	414,866,168	304,949,619	109,916,549	490,790
332 Manu.of optical instruments and photographic equipments	Group Total	1	31	30	2,408,000	6,478,550	3,710,000	2,768,550	-
3320 Manu.of optical instruments and photographic equipment		1	31	30	2,408,000	6,478,550	3,710,000	2,768,550	-
341 Manu.of motor vehicles	Group Total	1	80	80	8,663,837	27,685,816	1,415,436	26,270,380	227,781
3410 Manu.of motor vehicles		1	80	80	8,663,837	27,685,816	1,415,436	26,270,380	227,781
342 Manu.of bodies for Motor vehicles, Manu. of trailers &	Group Total	5	527	527	86,927,790	66,644,688	39,850,987	26,793,701	14,100
3420 Manu.of bodies for Motor vehicles, Manu. of trailers &		5	527	527	86,927,790	66,644,688	39,850,987	26,793,701	14,100
343 Manu.of spare parts and accessories for motor vehicles	Group Total	4	842	838	204,514,784	1,473,260,216	714,568,651	758,691,565	430,962,922
3430 Manu.of spare parts and accessories for motor vehicles		4	842	838	204,514,784	1,473,260,216	714,568,651	758,691,565	430,962,922
351 Building and repairing of ships and boats	Group Total	22	5,495	5,473	2,024,731,155	12,434,184,119	7,800,234,812	4,633,949,307	611,343,411
3511 Building and repairing of ships		18	3,011	2,989	1,725,595,261	9,748,866,032	6,052,303,675	3,696,562,357	539,531,732
3512 Building and repairing of pleasure & sporting boats		5	2,485	2,485	299,135,894	2,685,318,087	1,747,931,137	937,386,950	71,811,679
352 Manu.of railway and tramway locomatives and rolling sto	Group Total	1	196	196	17,958,000	26,124,000	3,281,171	22,842,829	-
3520 Manu.of railway & tramway locomatives & rolling stock		1	196	196	17,958,000	26,124,000	3,281,171	22,842,829	-
359 Manu.of transport equipment n.e.c.	Group Total	9	3,682	3,679	475,083,380	9,921,096,658	4,399,530,674	5,521,565,984	463,629,342
3591 Manu.of motorcycles & motor tricycle (three wheelers)		4	495	492	73,184,800	108,530,627	29,164,501	79,366,126	28,800,000
3592 Manu.of bicycles & invalid carriages		5	3,187	3,187	401,898,580	9,812,566,031	4,370,366,173	5,442,199,858	434,829,342
361 Manu.of furniture	Group Total	93	9,923	9,867	1,183,425,448	13,640,047,292	9,197,574,736	4,442,472,555	2,105,490,946
3610 Manu.of furniture		93	9,923	9,867	1,183,425,448	13,640,047,292	9,197,574,736	4,442,472,555	2,105,490,946
369 Manu.of other product not elsewhere classified	Group Total	208	23,279	23,129	2,376,017,925	18,207,749,275	9,794,480,026	8,413,269,249	664,125,975
3691 Manu.of jewellery and related articles		12	2,789	2,783	431,203,683	4,646,374,938	3,035,357,121	1,611,017,817	52,353,356
3693 Manu.of sports goods		4	723	722	87,898,387	455,765,123	248,953,295	206,811,828	20,884,912
3694 Manu.of toys & games		23	5,792	5,789	549,645,732	3,794,537,544	1,106,610,344	2,687,927,200	171,129,352
3699 Other manufacturing not elsewhere classified		168	13,974	13,835	1,307,270,124	9,311,071,670	5,403,559,266	3,907,512,404	419,758,355
372 Recycling of non-metal waste and scrap	Group Total	3	433	430	59,368,520	854,979,826	528,146,104	326,833,722	58,642,290
3720 Recycling of non-metal waste and scrap		3	433	430	59,368,520	854,979,826	528,146,104	326,833,722	58,642,290

(cont.)

**Table 2 : Principal indicators of industrial activity classified by industry - 2007
(Establishments with 25 or more persons engaged)**

Type of industry	No. of establishments	Persons engaged (No.)	Employees (No.)	Salaries & Wages (Rs.)	Value of output (Rs.)	Value of input (Rs.)	Value added (Rs.)	Gross additions to fixed assets (Rs.)	
401 Production, collection & distribution of electricity	Group Total	4	14,364	14,364	8,742,159,038	103,844,039,298	42,434,596,636	61,409,442,662	50,444,140,012
	4010 Production, collection & distribution of electricity	4	14,364	14,364	8,742,159,038	103,844,039,298	42,434,596,636	61,409,442,662	50,444,140,012
402 Manu.of gas	Group Total	3	306	306	55,620,000	7,965,154,185	1,231,942,200	6,733,211,985	-
	4020 Manu.of gas	3	306	306	55,620,000	7,965,154,185	1,231,942,200	6,733,211,985	-
410 Collection, purification and distribution of water	Group Total	5	9,146	9,146	4,270,554,330	7,768,575,680	1,954,482,180	5,814,093,500	11,912,985,103
	4100 Collection, purification and distribution of water	5	9,146	9,146	4,270,554,330	7,768,575,680	1,954,482,180	5,814,093,500	11,912,985,103
Total		3,923	872,878	867,230	155,098,897,261	2,071,558,091,315	1,240,189,604,559	831,368,486,756	190,882,049,098

Table 3 : Principal indicators of industrial activity classified by industry - 2007
(Establishments with less than 25 persons engaged)

Type of industry	No. of establishments	Persons engaged (No.)	Employees (No.)	Salaries & Wages (Rs.)	Value of output (Rs.)	Value of input (Rs.)	Value added (Rs.)	Gross additions to fixed assets (Rs.)	
141 Quarrying of stone Clay and Sand	Group Total	980	7,793	6,973	636,409,340	2,302,246,925	706,414,094	1,595,832,831	93,449,000
	1411 Quarrying of stone Clay and Sand	241	1,925	1,777	93,269,000	256,568,400	46,029,784	210,538,616	1,364,000
	1412 Braking of Granite	520	4,279	3,746	338,011,140	1,764,864,125	649,581,310	1,115,282,815	92,085,000
	1413 Quarrying of Sand & Gravel	80	477	477	85,033,200	100,170,000	795,000	99,375,000	-
	1414 Quarrying Of Limestone	139	1,112	973	120,096,000	180,644,400	10,008,000	170,636,400	-
142 Mining and Quarrying n.e.c	Group Total	190	3,298	2,371	130,986,333	1,499,904,500	544,002,433	955,902,067	1,250,000
	1422 Extraction of salt	46	260	214	16,683,000	110,704,500	87,514,500	23,190,000	250,000
	1423 Mining of precious and semi precious stones	144	3,038	2,157	114,303,333	1,389,200,000	456,487,933	932,712,067	1,000,000
151 Produ., proce. & preserving of meat, fish,fruit, vegeta	Group Total	129	1,776	1,644	152,348,434	1,575,815,125	1,072,958,074	502,857,051	85,513,778
	1512 Processing and Preserving of fish and fish Products	36	396	396	23,076,000	131,400,000	46,278,000	85,122,000	67,320,000
	1513 Processing & Preserving of fruits & Vegetables	45	322	278	27,055,034	319,249,840	270,895,227	48,354,613	965,778
	1514 Manufacture of Vegetable oils animal oils & fats	49	1,058	970	102,217,400	1,125,165,285	755,784,847	369,380,438	17,228,000
152 Manufacture of Dairy Products	Group Total	45	556	512	31,792,711	1,861,446,837	269,608,062	1,591,838,775	-
	1520 Manufacture of Dairy Products	45	556	512	31,792,711	1,861,446,837	269,608,062	1,591,838,775	-
153 Manu.of grain mill products and prepared animal feeds	Group Total	945	10,166	8,995	1,120,576,300	22,438,538,106	18,685,604,275	3,752,933,830	347,259,786
	1531 Manufacture of Grain Mill Products	793	9,102	8,083	1,035,213,100	21,419,530,106	17,769,351,315	3,650,178,790	347,259,786
	1533 Preparation of Animal food from milling waist	152	1,064	912	85,363,200	1,019,008,000	916,252,960	102,755,040	-
154 Manu.of other food products	Group Total	2,142	19,093	13,045	1,596,464,768	20,155,588,337	12,275,115,570	7,880,472,767	404,027,818
	1541 Manufacture of bakery products	950	8,021	5,897	637,116,560	4,941,927,706	3,553,684,289	1,388,243,417	350,118,040
	1542 Manufacture of Cane sugar and molasses	37	185	111	8,880,000	44,400,000	26,270,000	18,130,000	-
	1543 Manu.of cocoa, chocolate and sugar confectionary	320	2,858	2,068	620,582,473	3,631,653,584	1,782,567,150	1,849,086,434	8,047,600
	1544 Manu.of macaroni, noodles couscous and similar farinac	77	737	644	61,498,929	616,182,827	481,229,504	134,953,322	3,030,000
	1546 Manu.of tea and tea products	364	3,655	1,939	181,955,173	9,709,271,752	5,685,708,419	4,023,563,333	26,047,778
	1547 Manu.of chilly-power, condiments powder, proce.of spic	84	1,084	1,000	44,513,834	700,629,468	439,964,047	260,665,420	16,784,400
	1549 Manu.of other food products n.e.c	310	2,553	1,386	41,917,800	511,523,000	305,692,160	205,830,840	-
155 Manu.of beverages	Group Total	121	1,514	1,492	223,673,664	1,124,500,780	657,198,884	467,301,896	-
	1552 Manu. of wine, bottled toddy and similar products	2	24	24	1,427,304	8,124,944	4,424,590	3,700,354	-
	1554 Manu. of beverages such as soft drinks, soda etc	119	1,490	1,468	222,246,360	1,116,375,836	652,774,294	463,601,542	-
160 Manu. of tobacco products	Group Total	108	1,007	799	39,772,671	973,415,502	573,424,944	399,990,558	28,262,500
	1601 Manu. of tabacco products	13	152	111	4,426,000	21,219,700	13,434,550	7,785,150	225,000
	1602 Manu. of Cigarette, Cigar & Beedi	83	796	653	32,886,671	292,195,802	139,690,394	152,505,408	28,007,500
	1609 Tobacco based products	12	60	36	2,460,000	660,000,000	420,300,000	239,700,000	30,000
171 Spinning, weaving and finishing of Textiles	Group Total	1,305	13,664	12,918	1,064,848,368	3,690,610,802	1,746,084,349	1,944,526,453	6,408,249
	1711 Prepa. & spinning of Textiles fibres, weaving of texti	1,132	12,110	11,364	965,392,368	2,064,954,135	774,480,382	1,290,473,753	6,408,249
	1712 Finishing of Textiles	173	1,554	1,554	99,456,000	1,625,656,667	971,603,967	654,052,700	-
172 Manu. of other Textiles	Group Total	591	4,975	4,039	251,643,913	1,692,591,584	512,599,104	1,179,992,481	63,819,604
	1721 Manu. of made-up textile article, except apparel	197	1,809	1,416	45,337,791	218,654,662	131,233,227	87,421,436	4,196,471
	1722 Manu. of carpets and rugs	28	227	175	12,150,698	67,741,395	20,134,501	47,606,894	123,000
	1723 Manu. of Cordage, Rope, twine & netting	220	1,545	1,342	128,725,424	1,142,067,952	214,488,626	927,579,326	58,600,133
	1724 Manufacture of Sanitary Towels & Pampers	137	1,313	1,054	60,510,000	229,810,575	145,490,200	84,320,375	900,000
	1729 Cloth and coir based other products	10	82	51	4,920,000	34,317,000	1,252,550	33,064,450	-
173 Manu. of knitted and crocheted fabrics and articles	Group Total	2	36	34	614,118	1,023,529	17,059	1,006,471	-
	1731 Manufacture of knitted Garments	2	36	34	614,118	1,023,529	17,059	1,006,471	-

(cont.)

Table 3 : Principal indicators of industrial activity classified by industry - 2007
(Establishments with less than 25 persons engaged)

Type of industry	No. of establishments	Persons engaged (No.)	Employees (No.)	Salaries & Wages (Rs.)	Value of output (Rs.)	Value of input (Rs.)	Value added (Rs.)	Gross additions to fixed assets (Rs.)	
181 Manu.of weaving Apparel except fur apparels	Group Total	1,286	10,806	8,679	669,576,415	2,208,642,320	539,253,677	1,669,388,643	136,544,157
	1810 Manufacture of weaving Apparel, except fur apparels	1,286	10,806	8,679	669,576,415	2,208,642,320	539,253,677	1,669,388,643	136,544,157
191 Tanning & dressing of leather; manu. of luggage, Hand b	Group Total	56	605	507	31,035,000	110,241,800	57,452,600	52,789,200	75,000
	1912 Manu.of luggage, hand bags	56	605	507	31,035,000	110,241,800	57,452,600	52,789,200	75,000
192 Manu.of footwear	Group Total	98	810	602	25,879,400	183,814,375	74,219,175	109,595,200	8,604,000
	1920 Manufacturing of footwear	98	810	602	25,879,400	183,814,375	74,219,175	109,595,200	8,604,000
201 Saw-milling and planning of wood	Group Total	779	5,921	4,784	521,507,966	2,310,879,417	1,170,431,003	1,140,448,414	32,402,127
	2010 Saw-milling and planning of wood	779	5,921	4,784	521,507,966	2,310,879,417	1,170,431,003	1,140,448,414	32,402,127
202 Manu.of produ. of wood, cork, straw & plaiting material	Group Total	223	2,180	1,808	165,114,370	598,678,629	258,784,778	339,893,852	17,878,900
	2021 Manu.of veneer sheets, plywood, lamin board, particle	60	709	574	70,693,000	265,922,583	110,023,433	155,899,151	30,000
	2022 Manufacture of builders carpentry and joinery	96	606	429	37,685,900	160,167,600	79,490,336	80,677,264	10,752,500
	2024 Manu.of produ. by cork barks, wood utencils from reed,	29	333	327	10,759,064	9,080,118	2,447,484	6,632,634	-
	2025 Manu.of Household utencils of other wooden article and	38	532	478	45,976,406	163,508,328	66,823,525	96,684,803	7,096,400
210 Manu.of paper and paper products	Group Total	52	705	648	57,424,745	278,438,274	176,407,028	102,031,246	317,702,667
	2101 Manufacture of pulp, paper and paperboards	17	220	213	11,386,000	122,618,150	104,200,623	18,417,527	2,482,667
	2103 Manufacture of cards, files, books and pads	29	343	326	40,381,500	131,939,923	63,419,883	68,520,040	315,220,000
	2104 Manu.of toys, plates, cups, spoons, knives & ornaments	1	21	21	1,381,545	1,830,701	123,472	1,707,229	-
	2109 Manu.of pulp paper and paper boards articles n.e.c	6	121	88	4,275,700	22,049,500	8,663,050	13,386,450	-
222 Printing & service activities related to printing for o	Group Total	411	5,307	4,998	783,635,478	3,971,020,797	2,010,822,454	1,960,198,343	44,072,086
	2221 Printing of newspapers, journals & periodicals for oth	411	5,307	4,998	783,635,478	3,971,020,797	2,010,822,454	1,960,198,343	44,072,086
241 Manu.of basic chemicals	Group Total	54	697	697	93,201,624	383,475,112	276,747,778	106,727,334	3,318,952,124
	2412 Manu.of fertilizer & nitrogen compounds	2	28	28	2,331,624	12,559,112	3,441,778	9,117,334	-
	2413 Manu.of plastic in primary forms and synthetic rubber	44	572	572	85,140,000	363,220,000	271,876,000	91,344,000	3,303,952,124
	2414 Manu.of Natural carbonic fertilizers	8	97	97	5,730,000	7,696,000	1,430,000	6,266,000	15,000,000
242 Manu.of other chemical products	Group Total	243	2,048	1,787	208,925,503	912,418,337	335,700,268	576,718,069	17,151,433
	2422 Manu.of paints, varnishes & similar coatings, printing	36	185	144	9,213,600	70,695,000	15,446,850	55,248,150	-
	2423 Manu.of pharmaceuticals, medicinal chemicals & botanica	79	795	760	123,008,903	585,768,087	231,546,426	354,221,662	2,491,433
	2424 Manu.of soap & detergent, cleaning, perfumies & toilet	5	62	61	3,175,000	12,362,000	8,801,000	3,561,000	12,680,000
	2425 Manu.of explosives, crackers and other firework	74	563	420	32,514,000	117,720,000	51,979,500	65,740,500	-
	2426 Manu.of mosquito-coils, camphor, naphthaline balls, inc	13	121	114	9,694,000	73,673,250	21,356,493	52,316,758	-
	2429 Manu.of other chemical products n.e.c	36	324	288	31,320,000	52,200,000	6,570,000	45,630,000	1,980,000
251 Manu.of rubber products	Group Total	281	4,854	4,752	537,906,910	15,594,241,315	9,665,485,615	5,928,755,700	791,854,770
	2511 Manu.of rubber tyres and tubes, rebuilding of rubber t	1	18	18	2,514,000	49,073,400	3,808,520	45,264,880	-
	2513 Manu.of product from natural rubber	65	1,084	1,076	115,875,910	7,519,930,294	6,314,148,316	1,205,781,978	1,414,770
	2514 Manu.of article of rubber	141	2,978	2,978	335,106,000	7,673,424,304	3,187,661,062	4,485,763,242	618,750,000
	2519 Manu.of rubber products (not classified elsewhere)	75	774	680	84,411,000	351,813,317	159,867,717	191,945,600	171,690,000
252 Manu.of plastic products	Group Total	182	3,536	3,297	466,140,552	5,664,114,818	3,574,121,801	2,089,993,017	61,558,650
	2520 Manu.of plastic products	182	3,536	3,297	466,140,552	5,664,114,818	3,574,121,801	2,089,993,017	61,558,650
269 Manu.of Non metallic mineral products(Not elsewhere cla	Group Total	2,617	22,856	19,622	1,806,081,454	9,513,263,197	3,160,483,288	6,352,779,909	419,989,257
	2691 Manu.of non-structural non-refractory ceramic ware	28	305	240	48,121,110	135,130,250	74,142,375	60,987,875	975,000
	2693 Manu.of structural non refractory clay & ceramic produ	1,709	13,420	11,452	636,620,390	2,656,958,297	1,135,640,262	1,521,318,035	16,339,757
	2694 Manu.of cement lime, and plaster	83	523	518	61,512,000	2,917,401,350	355,982,675	2,561,418,675	-
	2695 Manu.of articles of concrete, cement & plaster	241	2,891	2,550	230,360,990	1,015,393,915	659,905,253	355,488,662	64,235,400
	2696 Cutting, shaping & finishing of rough stones	556	5,717	4,863	829,476,964	2,788,379,385	934,812,724	1,853,566,662	338,439,100

(cont.)

**Table 3 : Principal indicators of industrial activity classified by industry - 2007
(Establishments with less than 25 persons engaged)**

Type of industry	No. of establishments	Persons engaged (No.)	Employees (No.)	Salaries & Wages (Rs.)	Value of output (Rs.)	Value of input (Rs.)	Value added (Rs.)	Gross additions to fixed assets (Rs.)	
272 Manu.of basic precious & non-ferrous metal	Group Total	1	9	9	840,000	31,934,014	20,395,860	11,538,154	-
	2720 Manu.of basic precious & non-ferrous metal	1	9	9	840,000	31,934,014	20,395,860	11,538,154	-
273 Casting of metals	Group Total	53	784	732	56,478,330	188,773,015	80,662,679	108,110,336	1,618,000
	2731 Casting of iron & steel	48	745	702	52,278,330	177,425,015	76,251,979	101,173,036	-
	2732 Casting of Non ferrous metals	5	39	30	4,200,000	11,348,000	4,410,700	6,937,300	1,618,000
281 Manu.of structural metal products, tanks, reservoirs &	Group Total	179	1,257	1,005	147,366,816	349,690,633	142,892,028	206,798,605	72,757,500
	2811 Manu.of structural metal products	179	1,257	1,005	147,366,816	349,690,633	142,892,028	206,798,605	72,757,500
289 Manu.of other fabricated metal products	Group Total	453	3,845	3,053	290,573,752	1,610,512,146	950,252,122	660,260,023	11,675,862
	2892 Treatment & coating of metal general mechanical engine	148	1,231	1,024	116,548,936	701,115,237	351,054,240	350,060,998	2,780,662
	2893 Manu.of cutlery, hand tools & general hardware	124	869	623	59,486,400	149,001,150	64,496,501	84,504,649	-
	2894 Manu.of other brass articles	61	303	182	2,468,400	242,877,250	205,234,150	37,643,100	1,210,000
	2896 Manu.of Metal cooking utensils, household appliances &	72	563	434	17,030,400	48,713,675	22,986,350	25,727,325	3,509,000
	2897 Manu.of Metal cables and similar articles	4	24	24	1,408,000	4,000,000	442,400	3,557,600	-
	2899 Manu.of other fabricated metal products	44	856	767	93,631,616	464,804,833	306,038,482	158,766,351	4,176,201
291 Manu.of general purpose machinery	Group Total	2	36	35	3,082,000	11,768,333	7,818,000	3,950,333	900,000
	2912 Manu.of pumps, compressors, taps and valves	1	12	11	858,000	1,635,000	514,000	1,121,000	900,000
	2919 Manu.of other general purpose machinery	1	24	24	2,224,000	10,133,333	7,304,000	2,829,333	-
292 Manu.of special purpose machinery	Group Total	47	841	788	94,433,467	614,325,880	441,633,912	172,691,968	57,400,000
	2921 Manu.of agricultural & forestry machinery	45	813	760	90,397,467	599,823,617	433,466,337	166,357,280	56,100,000
	2925 Manu.of machinery for Food, beverage & tobacco proce.	2	28	28	4,036,000	14,502,263	8,167,575	6,334,688	1,300,000
293 Manu.of domestic appliance n. e.c.	Group Total	20	146	118	9,090,000	105,069,000	53,837,000	51,232,000	-
	2930 Manu.of domestic appliance n.e.c.	20	146	118	9,090,000	105,069,000	53,837,000	51,232,000	-
300 Manu.of office, accounting and computing machinery	Group Total	2	26	20	4,632,000	39,200,000	34,363,714	4,836,286	1,827,870
	3000 Manu.of office, accounting and computing machinery	2	26	20	4,632,000	39,200,000	34,363,714	4,836,286	1,827,870
312 Manu.of electricity distribution and control apparatus	Group Total	2	12	10	1,824,000	4,018,000	1,976,800	2,041,200	1,780,000
	3120 Manu.of electricity distribution and control apparatus	2	12	10	1,824,000	4,018,000	1,976,800	2,041,200	1,780,000
319 Manu.of other electrical equipments n.e.c.	Group Total	1	6	6	255,000	1,500,000	981,575	518,425	-
	3190 Manu.of other electrical equipments n.e.c	1	6	6	255,000	1,500,000	981,575	518,425	-
321 Manu.of electronic valves, tubes & other	Group Total	18	128	128	7,150,000	27,720,000	15,598,000	12,122,000	-
	3210 Manu.of electronic valves, tubes & other	18	128	128	7,150,000	27,720,000	15,598,000	12,122,000	-
322 Manu.of TV & Radio transmitters	Group Total	3	27	27	3,240,000	3,577,110	1,725,444	1,851,666	795,000
	3220 Manu.of TV & radio transmitters & apparatus for line t	3	27	27	3,240,000	3,577,110	1,725,444	1,851,666	795,000
323 Manu.of TV & Radio receivers, sound or vedio recording	Group Total	3	34	33	3,276,000	9,798,000	6,010,000	3,788,000	-
	3230 Manu.of TV & radio receivers sound or video recording	3	34	33	3,276,000	9,798,000	6,010,000	3,788,000	-
331 Manu.of medical appliances & instruments & appliances f	Group Total	3	27	21	2,220,840	26,693,397	14,981,604	11,711,793	737,550
	3313 Manu.of industrial process control equipments	3	27	21	2,220,840	26,693,397	14,981,604	11,711,793	737,550
341 Manu.of motor vehicles	Group Total	18	373	369	42,660,000	172,569,475	118,424,105	54,145,370	170,800
	3410 Manu.of motor vehicles	18	373	369	42,660,000	172,569,475	118,424,105	54,145,370	170,800
342 Manu.of bodies for Motor vehicles, Manu. of trailers &	Group Total	10	98	89	10,365,941	27,794,410	12,221,702	15,572,708	1,785,000
	3420 Manu.of bodies for Motor vehicles, Manu. of trailers &	10	98	89	10,365,941	27,794,410	12,221,702	15,572,708	1,785,000
343 Manu.of spare parts and accessories for motor vehicles	Group Total	15	167	162	15,564,400	40,741,000	7,466,928	33,274,072	34,620,000
	3430 Manu.of spare parts and accessories for motor vehicles	15	167	162	15,564,400	40,741,000	7,466,928	33,274,072	34,620,000
351 Building and repairing of ships and boats	Group Total	13	187	160	33,600,000	400,000,000	34,860,000	365,140,000	333,333
	3511 Building and repairing of ships	13	187	160	33,600,000	400,000,000	34,860,000	365,140,000	333,333

(cont.)

**Table 3 : Principal indicators of industrial activity classified by industry - 2007
(Establishments with less than 25 persons engaged)**

Type of industry	No. of establishments	Persons engaged (No.)	Employees (No.)	Salaries & Wages (Rs.)	Value of output (Rs.)	Value of input (Rs.)	Value added (Rs.)	Gross additions to fixed assets (Rs.)	
359 Manu.of transport equipment n.e.c.	Group Total	6	54	48	3,336,000	32,400,000	20,603,490	11,796,510	-
	3593 Manu.of other transport equipment	6	54	48	3,336,000	32,400,000	20,603,490	11,796,510	-
361 Manu.of furniture	Group Total	304	3,713	3,609	221,806,492	593,163,114	173,818,600	419,344,514	11,364,167
	3610 Manu.of furniture	304	3,713	3,609	221,806,492	593,163,114	173,818,600	419,344,514	11,364,167
369 Manu.of other product not elsewhere classified	Group Total	107	1,080	973	74,350,558	214,296,329	103,842,449	110,453,880	181,307,107
	3691 Manu.of jewellery and related articles	58	525	493	37,695,333	104,947,000	50,845,257	54,101,743	181,200,000
	3699 Other manufacturing not elsewhere classified	48	556	480	36,655,225	109,349,329	52,997,193	56,352,137	107,107
372 Recycling of non-metal waste and scrap	Group Total	7	103	91	7,028,592	59,170,849	33,465,199	25,705,650	63,651
	3720 Recycling of non-metal waste and scrap	7	103	91	7,028,592	59,170,849	33,465,199	25,705,650	63,651
401 Production, collection & distribution of electricity	Group Total	19	256	253	29,171,600	826,508,335	262,506,796	564,001,539	23,221,668
	4010 Production, collection & distribution of electricity	19	256	253	29,171,600	826,508,335	262,506,796	564,001,539	23,221,668
410 Collection, purification and distribution of water	Group Total	20	199	140	19,340,575	69,203,618	23,924,474	45,279,144	2,716,000
	4100 Collection, purification and distribution of water	20	199	140	19,340,575	69,203,618	23,924,474	45,279,144	2,716,000
Total		14,146	137,610	116,880	11,697,246,400	104,505,337,075	60,907,198,794	43,598,138,281	6,601,849,414

Table 4 : Principal indicators of industrial activity classified by major industry division & persons engaged size class - 2007
(Establishments with 5 or more persons engaged)

Major Industry division & Persons engaged size class		No. of establishments	Persons engaged (No.)	Employees (No.)	Salaries & Wages (Rs.)	Value of output (Rs.)	Value of input (Rs.)	Value added (Rs.)	Gross additions to fixed assets (Rs.)
C Mining and Quarrying	Group Total	1,366	24,028	20,405	2,001,337,449	8,773,477,594	2,191,570,326	6,581,907,268	362,019,915
	less than 10	853	5,518	4,808	495,477,940	1,380,015,900	470,183,994	909,831,906	45,066,000
	10 - 19	253	4,029	3,249	197,934,400	2,287,035,525	722,461,200	1,564,574,325	49,633,000
	20 - 39	206	5,803	4,002	242,712,667	457,990,867	139,036,200	318,954,667	318,000
	40 - 99	6	372	372	61,335,457	1,613,876,425	394,603,160	1,219,273,265	272,270
	100 - 499	49	8,306	7,974	1,003,876,985	3,034,558,877	465,285,772	2,569,273,105	266,730,645
D Manufacturing	Group Total	16,652	962,188	939,497	151,677,960,670	2,046,816,469,680	1,252,997,780,741	793,818,688,939	134,738,815,814
	less than 10	7,796	53,012	40,959	4,010,060,961	28,769,554,812	14,667,704,174	14,101,850,639	1,169,575,585
	10 - 19	4,412	56,978	50,595	5,334,494,177	49,765,732,938	30,996,184,070	18,769,548,868	4,550,774,172
	20 - 39	1,168	30,333	29,141	2,929,469,836	32,604,727,374	19,209,274,824	13,395,452,550	1,983,858,918
	40 - 99	1,764	106,195	104,588	12,938,870,874	218,853,022,703	131,706,097,903	87,146,924,800	11,828,530,967
	100 - 499	1,051	207,491	206,109	27,509,420,974	428,164,481,239	208,540,658,431	219,623,822,807	23,331,118,880
	500 & above	460	508,179	508,105	98,955,643,848	1,288,658,950,614	847,877,861,339	440,781,089,275	91,874,957,292
E Electricity, Gas and Water supply	Group Total	51	24,271	24,209	13,116,845,543	120,473,481,116	45,907,452,286	74,566,028,830	62,383,062,783
	less than 10	11	67	38	5,251,424	47,393,963	18,063,111	29,330,852	-
	10 - 19	25	309	275	32,058,559	764,357,190	268,368,159	495,989,031	25,937,668
	20 - 39	5	109	109	21,778,192	196,556,800	4,660,581	191,896,219	-
	40 - 99	6	402	402	115,191,198	30,483,006,978	17,924,171,158	12,558,835,820	19,140,012
	100 - 499	3	306	306	55,620,000	7,965,154,185	1,231,942,200	6,733,211,985	-
	500 & above	2	23,079	23,079	12,886,946,170	81,017,012,000	26,460,247,077	54,556,764,923	62,337,985,103
Total		18,069	1,010,487	984,110	166,796,143,661	2,176,063,428,390	1,301,096,803,353	874,966,625,037	197,483,898,512

Table 5 : Principal indicators of industrial activity classified by industry division & persons engaged size class - 2007
(for manufacturing sector)
(Establishment with 5 or more persons engaged)

Industry division & Persons engaged size class		No. of establishments	Persons engaged (No.)	Employees (No.)	Salaries & Wages (Rs.)	Value of output (Rs.)	Value of input (Rs.)	Value added (Rs.)	Gross additions to fixed assets (Rs.)
15 Manu.of food products and beverages	Group Total	4,471	137,632	128,386	15,602,386,439	430,314,908,725	241,811,761,886	188,503,146,839	19,960,507,896
	less than 10	1,905	14,082	9,738	1,405,401,677	13,396,406,983	9,130,956,153	4,265,450,830	391,544,178
	10 - 19	1,420	17,764	14,777	1,588,405,375	32,653,868,832	23,159,380,080	9,494,488,752	428,029,204
	20 - 39	175	4,685	4,207	380,398,390	4,722,325,046	2,476,702,169	2,245,622,877	128,477,485
	40 - 99	729	45,921	45,366	5,158,706,293	96,435,909,313	52,680,024,136	43,755,885,178	2,451,516,450
	100 - 499	226	42,216	41,338	4,941,305,764	155,734,149,187	67,697,709,786	88,036,439,401	11,753,830,430
	500 & above	16	12,964	12,959	2,128,168,939	127,372,249,363	86,666,989,562	40,705,259,801	4,807,110,148
16 Manu.of tobacco products	Group Total	129	4,896	4,623	1,239,314,190	36,961,246,985	3,291,266,358	33,669,980,627	319,753,986
	less than 10	68	372	218	14,659,171	752,331,811	466,118,053	286,213,759	37,500
	10 - 19	24	298	264	12,189,500	171,263,353	87,503,371	83,759,982	28,000,000
	20 - 39	16	338	318	12,924,000	49,820,338	19,803,520	30,016,818	225,000
	40 - 99	16	1,194	1,133	45,826,000	149,682,922	37,626,846	112,056,076	-
	100 - 499	3	635	631	783,813,620	34,644,002,000	2,353,004,916	32,290,997,084	206,013,234
	500 & above	2	2,060	2,060	369,901,899	1,194,146,561	327,209,652	866,936,909	85,478,252
17 Manu.of Textiles	Group Total	2,181	134,888	133,087	44,040,362,653	609,485,892,094	421,126,131,435	188,359,760,659	69,620,131,390
	less than 10	1,044	7,608	6,613	649,571,433	2,300,974,721	739,963,047	1,561,011,674	65,447,133
	10 - 19	811	10,178	9,517	609,435,273	2,959,610,876	1,462,706,405	1,496,904,471	584,249
	20 - 39	43	887	862	58,099,692	123,640,318	56,031,059	67,609,259	4,196,471
	40 - 99	69	4,778	4,768	610,270,752	5,081,349,951	4,053,830,843	1,027,519,108	29,054,553
	100 - 499	111	25,095	24,987	2,790,066,414	24,495,656,033	14,935,535,409	9,560,120,624	3,282,627,193
	500 & above	103	86,340	86,340	39,322,919,088	574,524,660,194	399,878,064,672	174,646,595,522	66,238,221,792
18 Manu.of wearing Apparel, dressing & dyeing of fur	Group Total	2,063	394,464	391,932	47,372,284,030	354,173,839,569	185,814,772,863	168,359,066,706	14,608,153,888
	less than 10	993	6,397	4,712	307,025,204	799,498,400	247,470,966	552,027,434	20,917,300
	10 - 19	280	4,134	3,745	346,152,779	1,380,353,076	286,592,601	1,093,760,475	115,626,857
	20 - 39	59	1,706	1,584	123,740,256	404,607,697	209,560,184	195,047,514	-
	40 - 99	165	10,974	10,938	984,973,370	4,320,243,517	2,122,221,641	2,198,021,876	428,929,360
	100 - 499	325	69,134	68,895	6,240,787,557	26,573,405,192	9,661,752,250	16,911,652,941	600,981,867
	500 & above	241	302,118	302,059	39,369,604,864	320,695,731,687	173,287,175,220	147,408,556,466	13,441,698,503
19 Tanning and dressing of leather; manu. of luggage, hand	Group Total	183	10,411	10,090	1,279,117,895	8,444,296,952	5,103,456,755	3,340,840,197	131,102,581
	less than 10	103	683	477	31,271,000	192,304,175	78,268,975	114,035,200	8,659,000
	10 - 19	50	711	615	24,485,400	97,441,000	50,650,800	46,790,200	20,000
	20 - 39	15	426	410	151,539,000	191,988,735	43,499,800	148,488,935	39,726
	100 - 499	10	3,005	3,002	450,366,172	3,333,355,755	1,983,574,419	1,349,781,336	31,417,178
	500 & above	5	5,586	5,586	621,456,323	4,629,207,287	2,947,462,762	1,681,744,526	90,966,677

(cont.)

Table 5 : Principal indicators of industrial activity classified by industry division & persons engaged size class - 2007
(for manufacturing sector)
(Establishment with 5 or more persons engaged)

Industry division & Persons engaged size class		No. of establishments	Persons engaged (No.)	Employees (No.)	Salaries & Wages (Rs.)	Value of output (Rs.)	Value of input (Rs.)	Value added (Rs.)	Gross additions to fixed assets (Rs.)
20 Manu.of wood & products of wood & cork except furniture	Group Total	1,076	12,054	10,497	1,035,485,620	4,340,131,706	2,209,852,564	2,130,279,142	220,196,784
	less than 10	883	6,336	4,946	522,334,268	2,411,252,858	1,279,278,012	1,131,974,846	38,920,401
	10 - 19	103	1,402	1,320	119,368,068	353,977,496	104,762,769	249,214,727	11,360,627
	20 - 39	48	1,519	1,440	150,303,048	532,519,584	241,736,432	290,783,151	16,530,797
	40 - 99	38	1,725	1,718	126,507,624	532,885,117	331,178,102	201,707,014	96,429,663
	100 - 499	3	452	452	48,272,612	183,338,641	54,090,338	129,248,303	19,263,206
	500 & above	1	620	620	68,700,000	326,158,011	198,806,911	127,351,100	37,692,091
21 Manu.of paper and paper products	Group Total	159	9,250	9,176	1,906,434,322	31,762,915,238	24,503,881,145	7,259,034,093	1,009,326,219
	less than 10	18	155	154	31,416,000	91,766,698	39,885,383	51,881,315	315,200,000
	10 - 19	27	385	363	18,653,500	151,651,875	119,460,123	32,191,752	2,502,667
	20 - 39	16	470	435	36,734,274	190,897,125	52,661,610	138,235,516	-
	40 - 99	83	5,137	5,124	1,298,061,619	22,518,552,849	18,000,763,794	4,517,789,055	409,963,508
	100 - 499	15	3,103	3,100	521,568,930	8,810,046,691	6,291,110,236	2,518,936,455	281,660,045
22 Publishing, printing and reproduction of recorded media	Group Total	507	18,414	17,937	3,958,877,022	25,328,380,090	14,799,526,834	10,528,853,256	2,067,688,210
	less than 10	93	723	653	48,356,415	157,020,710	70,755,829	86,264,881	26,919,000
	10 - 19	314	4,516	4,280	730,073,813	3,761,712,754	1,912,767,378	1,848,945,376	16,153,086
	20 - 39	37	1,320	1,286	131,439,100	925,426,843	233,570,042	691,856,802	174,764,120
	40 - 99	44	2,069	1,937	390,607,048	2,652,912,824	1,216,565,048	1,436,347,777	89,619,687
	100 - 499	13	3,107	3,102	522,943,797	10,513,761,615	7,545,647,481	2,968,114,134	1,088,357,099
	500 & above	5	6,679	6,679	2,135,456,849	7,317,545,343	3,820,221,057	3,497,324,287	671,875,218
23 Manu.of coke refined petroleum products and nuclear fuel	Group Total	2	3,047	3,047	1,916,149,572	125,920,356,397	113,622,157,840	12,298,198,557	330,149,273
	100 - 499	1	116	116	102,965,572	6,085,565,266	5,517,065,840	568,499,426	103,119,273
	500 & above	1	2,931	2,931	1,813,184,000	119,834,791,131	108,105,092,000	11,729,699,131	227,030,000
24 Manu.of chemicals & chemical products	Group Total	392	17,755	17,416	4,545,987,816	75,780,901,876	45,402,662,304	30,378,239,572	4,287,700,236
	less than 10	154	1,054	866	64,327,956	255,487,516	69,436,950	186,050,566	2,165,000
	10 - 19	139	1,615	1,555	234,580,671	1,031,520,533	539,307,096	492,213,437	3,333,938,557
	20 - 39	9	259	240	15,121,743	60,596,276	19,616,505	40,979,772	-
	40 - 99	39	2,742	2,677	514,067,401	26,441,013,708	13,841,146,661	12,599,867,047	90,195,604
	100 - 499	47	7,180	7,172	2,821,859,024	38,283,732,253	25,360,773,080	12,922,959,173	788,331,284
	500 & above	4	4,906	4,906	896,031,021	9,708,551,589	5,572,382,013	4,136,169,576	73,069,792

(cont.)

Table 5 : Principal indicators of industrial activity classified by industry division & persons engaged size class - 2007
(for manufacturing sector)
(Establishment with 5 or more persons engaged)

Industry division & Persons engaged size class		No. of establishments	Persons engaged (No.)	Employees (No.)	Salaries & Wages (Rs.)	Value of output (Rs.)	Value of input (Rs.)	Value added (Rs.)	Gross additions to fixed assets (Rs.)
25 Manu.of rubber & plastic products	Group Total	783	60,236	59,684	8,168,650,982	133,268,398,265	72,166,469,164	61,101,929,101	5,187,584,890
	less than 10	49	273	176	17,670,000	1,370,794,402	194,013,090	1,176,781,312	525,000
	10 - 19	136	1,559	1,448	170,297,492	1,987,938,647	1,196,558,974	791,379,673	173,104,770
	20 - 39	329	8,191	7,975	983,954,531	21,314,298,838	13,814,657,383	7,499,641,455	711,115,592
	40 - 99	130	6,753	6,661	926,552,192	13,920,375,822	8,176,383,207	5,743,992,615	377,200,728
	100 - 499	117	21,581	21,546	3,241,695,616	41,514,552,553	20,289,513,749	21,225,038,804	1,595,638,939
	500 & above	23	21,879	21,879	2,828,481,151	53,160,438,004	28,495,342,762	24,665,095,242	2,329,999,862
26 Manu. of other non metallic mineral products	Group Total	2,836	65,565	61,884	7,590,857,091	56,488,250,191	27,758,739,747	28,729,510,444	3,535,434,075
	less than 10	1,633	9,627	7,866	562,650,421	5,504,264,009	1,611,301,338	3,892,962,671	26,109,857
	10 - 19	854	10,601	9,129	1,094,510,313	3,352,305,916	1,220,940,308	2,131,365,608	393,879,400
	20 - 39	158	3,616	3,602	228,277,592	844,063,297	367,504,298	476,559,000	115,347,282
	40 - 99	140	7,806	7,373	859,293,801	4,339,654,031	1,599,597,470	2,740,056,561	828,909,129
	100 - 499	23	4,445	4,445	912,611,954	22,182,602,368	11,470,680,132	10,711,922,236	1,256,691,695
	500 & above	28	29,471	29,471	3,933,513,010	20,265,360,570	11,488,716,202	8,776,644,368	914,496,712
27 Manu.of basic metals	Group Total	91	5,449	5,394	990,503,808	19,917,144,787	11,190,318,194	8,726,826,593	6,331,670,960
	less than 10	13	67	19	1,584,000	43,269,014	27,336,360	15,932,654	18,000
	10 - 19	41	726	722	55,734,330	177,438,015	73,722,179	103,715,836	1,600,000
	40 - 99	21	1,088	1,088	125,699,000	3,464,722,000	2,028,107,958	1,436,614,042	5,863,906,650
	100 - 499	17	3,569	3,565	807,486,478	16,231,715,758	9,061,151,697	7,170,564,061	466,146,310
28 Manu.of fabricated metal products except machinery equip	Group Total	744	12,626	11,477	1,389,683,318	10,173,691,251	6,126,955,547	4,046,735,704	302,447,571
	less than 10	545	3,574	2,642	252,714,426	996,789,755	485,168,110	511,621,645	75,729,000
	10 - 19	63	983	910	148,887,419	783,664,095	510,019,482	273,644,613	6,508,946
	20 - 39	74	2,274	2,190	239,357,578	1,258,523,808	692,699,803	565,824,005	29,829,106
	40 - 99	26	1,274	1,263	238,246,949	1,812,701,496	1,091,055,623	721,645,873	133,654,528
	100 - 499	36	4,520	4,473	510,476,945	5,322,012,097	3,348,012,529	1,973,999,568	56,725,991
29 Manu.of Machinery & equipments (n.e.c.)	Group Total	104	8,669	8,572	1,351,510,766	13,470,851,479	10,065,218,909	3,405,632,570	567,281,402
	less than 10	31	221	174	15,799,467	137,017,617	71,656,152	65,361,465	-
	10 - 19	5	76	74	8,438,000	29,020,596	17,369,075	11,651,521	2,200,000
	20 - 39	40	973	940	97,079,151	602,500,000	415,121,685	187,378,315	56,100,000
	40 - 99	3	207	207	58,762,124	664,286,422	462,525,513	201,760,910	131,761,858
	100 - 499	22	3,119	3,112	633,062,639	10,484,449,041	8,186,658,346	2,297,790,695	351,710,792
	500 & above	3	4,074	4,064	538,369,386	1,553,577,803	911,888,138	641,689,664	25,508,752

(cont.)

Table 5 : Principal indicators of industrial activity classified by industry division & persons engaged size class - 2007
(for manufacturing sector)
(Establishment with 5 or more persons engaged)

Industry division & Persons engaged size class		No. of establishments	Persons engaged (No.)	Employees (No.)	Salaries & Wages (Rs.)	Value of output (Rs.)	Value of input (Rs.)	Value added (Rs.)	Gross additions to fixed assets (Rs.)
30 Manu.of office, accounting and computing machinery	Group Total	6	5,226	5,220	601,027,248	6,136,094,411	3,203,253,197	2,932,841,214	48,734,145
	10 - 19	2	26	20	4,632,000	39,200,000	34,363,714	4,836,286	1,827,870
	100 - 499	1	317	317	2,840,603	2,840,604	-	2,840,604	-
	500 & above	3	4,883	4,883	593,554,645	6,094,053,807	3,168,889,483	2,925,164,324	46,906,275
31 Manu.of Electrical machinery and apparatus n.e.c.	Group Total	61	8,720	8,711	1,451,103,592	43,717,869,810	30,058,794,893	13,659,074,916	1,409,341,643
	less than 10	3	18	16	2,079,000	5,518,000	2,958,375	2,559,625	1,780,000
	20 - 39	2	63	63	12,862,880	291,600,113	233,092,975	58,507,138	2,737,607
	40 - 99	38	2,104	2,104	248,824,680	24,652,840,671	18,639,690,313	6,013,150,358	753,200
	100 - 499	13	2,890	2,883	616,442,709	9,835,738,239	6,750,573,103	3,085,165,136	495,759,801
	500 & above	5	3,645	3,645	570,894,323	8,932,172,786	4,432,480,127	4,499,692,659	908,311,035
	Group Total	36	2,596	2,593	388,192,643	2,906,220,842	1,740,084,431	1,166,136,411	236,792,291
less than 10	22	160	159	10,786,000	33,595,110	18,935,444	14,659,666	795,000	
10 - 19	2	29	29	2,880,000	7,500,000	4,398,000	3,102,000	-	
20 - 39	1	27	25	3,804,000	21,250,000	15,227,600	6,022,400	140,000	
40 - 99	6	365	365	51,463,247	139,734,371	66,428,515	73,305,856	6,739,509	
100 - 499	4	1,007	1,007	178,824,476	1,453,443,284	940,630,310	512,812,974	195,580,927	
500 & above	2	1,010	1,010	140,434,920	1,250,698,077	694,464,563	556,233,515	33,536,855	
32 Manu.of Radio, TV & communication equipment and apparatus	Group Total	4	58	51	4,628,840	33,171,947	18,691,604	14,480,343	737,550
	less than 10	3	27	21	2,220,840	26,693,397	14,981,604	11,711,793	737,550
	20 - 39	1	31	30	2,408,000	6,478,550	3,710,000	2,768,550	-
33 Manu.of medical, precision & optical instruments, watches	Group Total	53	2,087	2,065	368,696,752	1,808,695,605	893,947,809	914,747,796	467,780,603
	less than 10	14	85	69	8,905,976	37,269,410	17,104,160	20,165,250	1,655,000
	10 - 19	13	172	170	15,255,400	42,766,000	12,547,928	30,218,072	34,850,000
	20 - 39	20	482	478	53,342,009	194,129,349	127,909,861	66,219,488	1,187,082
	40 - 99	2	166	166	17,729,837	36,914,039	1,415,436	35,498,603	227,781
	100 - 499	4	507	507	91,195,790	283,161,069	170,927,613	112,233,456	20,294,845
	500 & above	1	675	675	182,267,740	1,214,455,738	564,042,811	650,412,927	409,565,895
	Group Total	52	9,613	9,556	2,554,708,535	22,813,804,777	12,258,510,146	10,555,294,630	1,075,306,086
less than 10	6	54	48	3,336,000	32,400,000	20,603,490	11,796,510	-	
10 - 19	13	187	160	33,600,000	400,000,000	34,860,000	365,140,000	333,333	
40 - 99	13	824	802	125,070,000	782,643,782	479,795,024	302,848,758	62,120,491	
100 - 499	13	2,050	2,047	303,253,349	2,233,854,647	1,294,074,486	939,780,161	66,689,287	
500 & above	7	6,499	6,499	2,089,449,187	19,364,906,348	10,429,177,147	8,935,729,201	946,162,974	
34 Manu.of motor vehicles, trailers and semi-trailers	Group Total	52	9,613	9,556	2,554,708,535	22,813,804,777	12,258,510,146	10,555,294,630	1,075,306,086
	less than 10	6	54	48	3,336,000	32,400,000	20,603,490	11,796,510	-
	10 - 19	13	187	160	33,600,000	400,000,000	34,860,000	365,140,000	333,333
	40 - 99	13	824	802	125,070,000	782,643,782	479,795,024	302,848,758	62,120,491
	100 - 499	13	2,050	2,047	303,253,349	2,233,854,647	1,294,074,486	939,780,161	66,689,287
	500 & above	7	6,499	6,499	2,089,449,187	19,364,906,348	10,429,177,147	8,935,729,201	946,162,974
35 Manu.of other transport equipment	Group Total	52	9,613	9,556	2,554,708,535	22,813,804,777	12,258,510,146	10,555,294,630	1,075,306,086
	less than 10	6	54	48	3,336,000	32,400,000	20,603,490	11,796,510	-
	10 - 19	13	187	160	33,600,000	400,000,000	34,860,000	365,140,000	333,333
	40 - 99	13	824	802	125,070,000	782,643,782	479,795,024	302,848,758	62,120,491
	100 - 499	13	2,050	2,047	303,253,349	2,233,854,647	1,294,074,486	939,780,161	66,689,287
	500 & above	7	6,499	6,499	2,089,449,187	19,364,906,348	10,429,177,147	8,935,729,201	946,162,974

(cont.)

Table 5 : Principal indicators of industrial activity classified by industry division & persons engaged size class - 2007
(for manufacturing sector)
(Establishment with 5 or more persons engaged)

Industry division & Persons engaged size class		No. of establishments	Persons engaged (No.)	Employees (No.)	Salaries & Wages (Rs.)	Value of output (Rs.)	Value of input (Rs.)	Value added (Rs.)	Gross additions to fixed assets (Rs.)
36 Manu.of furniture, Manufacturing of n.e.c.	Group Total	711	37,995	37,578	3,855,600,424	32,655,256,010	19,269,715,811	13,385,540,198	2,962,288,194
	less than 10	215	1,488	1,386	57,459,708	220,800,226	80,085,683	140,714,543	192,416,667
	10 - 19	110	1,544	1,434	112,052,842	354,699,794	153,819,983	200,879,811	254,607
	20 - 39	126	3,045	3,036	246,410,000	844,790,686	168,585,504	676,205,182	743,105,000
	40 - 99	205	11,067	10,899	1,158,208,937	10,906,599,868	6,877,741,775	4,028,858,093	827,548,269
	100 - 499	45	9,011	8,983	928,212,433	9,108,119,120	5,100,026,607	4,008,092,513	611,637,192
	500 & above	10	11,839	11,839	1,353,256,503	11,220,246,315	6,889,456,258	4,330,790,057	587,326,459
37 Recycling	Group Total	10	536	521	66,397,112	914,150,675	561,611,303	352,539,372	58,705,941
	less than 10	2	10	7	492,000	4,100,000	1,427,000	2,673,000	-
	10 - 19	4	72	64	4,862,000	29,800,080	14,453,804	15,346,276	-
	20 - 39	1	21	20	1,674,592	25,270,769	17,584,395	7,686,374	63,651
	100 - 499	3	433	430	59,368,520	854,979,826	528,146,104	326,833,722	58,642,290
Total		16,652	962,188	939,497	151,677,960,670	2,046,816,469,680	1,252,997,780,741	793,818,688,939	134,738,815,814

**Table 6 : Principal indicators of industrial activity classified by province & industry division - 2007
(Establishment with 5 or more persons engaged)**

Province & Industry division		No. of establishments	Persons engaged (No.)	Employees (No.)	Salaries & Wages (Rs.)	Value of output (Rs.)	Value of input (Rs.)	Value added (Rs.)	Gross additions to fixed assets (Rs.)
All provinces	Group Total	18,069	1,010,487	984,110	166,796,143,661	2,176,063,428,390	1,301,096,803,353	874,966,625,037	197,483,898,512
	14 Other Mining and Quarrying	1,366	24,028	20,405	2,001,337,449	8,773,477,594	2,191,570,326	6,581,907,268	362,019,915
	15 Manu.of food prodcts and beverages	4,471	137,632	128,386	15,602,386,439	430,314,908,725	241,811,761,886	188,503,146,839	19,960,507,896
	16 Manu.of tobacco products	129	4,896	4,623	1,239,314,190	36,961,246,985	3,291,266,358	33,669,980,627	319,753,986
	17 Manu.of Textiles	2,181	134,888	133,087	44,040,362,653	609,485,892,094	421,126,131,435	188,359,760,659	69,620,131,390
	18 Manu.of wearing Apparel, dressing & dyeing of fur	2,063	394,464	391,932	47,372,284,030	354,173,839,569	185,814,772,863	168,359,066,706	14,608,153,888
	19 Tanning and dressing of leather; manu. of luggage, hand	183	10,411	10,090	1,279,117,895	8,444,296,952	5,103,456,755	3,340,840,197	131,102,581
	20 Manu.of wood & products of wood & cork except furniture	1,076	12,054	10,497	1,035,485,620	4,340,131,706	2,209,852,564	2,130,279,142	220,196,784
	21 Manu.of paper and paper products	159	9,250	9,176	1,906,434,322	31,762,915,238	24,503,881,145	7,259,034,093	1,009,326,219
	22 Publishing, printing and reproduction of recorded media	507	18,414	17,937	3,958,877,022	25,328,380,090	14,799,526,834	10,528,853,256	2,067,688,210
	23 Manu.of coke refined petroleum products and nuclear fuel	2	3,047	3,047	1,916,149,572	125,920,356,397	113,622,157,840	12,298,198,557	330,149,273
	24 Manu.of chemicals & chemical products	392	17,755	17,416	4,545,987,816	75,780,901,876	45,402,662,304	30,378,239,572	4,287,700,236
	25 Manu.of rubber & plastic products	783	60,236	59,684	8,168,650,982	133,268,398,265	72,166,469,164	61,101,929,101	5,187,584,890
	26 Manu. of other non metallic mineral products	2,836	65,565	61,884	7,590,857,091	56,488,250,191	27,758,739,747	28,729,510,444	3,535,434,075
	27 Manu.of basic metals	91	5,449	5,394	990,503,808	19,917,144,787	11,190,318,194	8,726,826,593	6,331,670,960
	28 Manu.of fabricated metal products except machinery equip	744	12,626	11,477	1,389,683,318	10,173,691,251	6,126,955,547	4,046,735,704	302,447,571
	29 Manu.of Machinery & equipments (n.e.c.)	104	8,669	8,572	1,351,510,766	13,470,851,479	10,065,218,909	3,405,632,570	567,281,402
	30 Manu.of office, accounting and computing machinery	6	5,226	5,220	601,027,248	6,136,094,411	3,203,253,197	2,932,841,214	48,734,145
	31 Manu.of Electrical machinery and apparatus n.e.c.	61	8,720	8,711	1,451,103,592	43,717,869,810	30,058,794,893	13,659,074,916	1,409,341,643
	32 Manu.of Radio, TV & communication equipment and apparatu	36	2,596	2,593	388,192,643	2,906,220,842	1,740,084,431	1,166,136,411	236,792,291
	33 Manu.of medical, precision & optical instruments, watche	4	58	51	4,628,840	33,171,947	18,691,604	14,480,343	737,550
	34 Manu.of motor vehicles, trailers and semi-trailers	53	2,087	2,065	368,696,752	1,808,695,605	893,947,809	914,747,796	467,780,603
	35 Manu.of other transport equipment	52	9,613	9,556	2,554,708,535	22,813,804,777	12,258,510,146	10,555,294,630	1,075,306,086
	36 Manu.of furniture, Manufacturing of n.e.c.	711	37,995	37,578	3,855,600,424	32,655,256,010	19,269,715,811	13,385,540,198	2,962,288,194
	37 Recycling	10	536	521	66,397,112	914,150,675	561,611,303	352,539,372	58,705,941
	40 Electricity, Gas, Steam and Hot water supply	26	14,926	14,923	8,826,950,638	112,635,701,818	43,929,045,632	68,706,656,186	50,467,361,680
	41 Collection, purification and distribution of water	25	9,345	9,286	4,289,894,905	7,837,779,298	1,978,406,654	5,859,372,644	11,915,701,103

(cont.)

Table 6 : Principal indicators of industrial activity classified by province & industry division - 2007
(Establishment with 5 or more persons engaged)

Province & Industry division		No. of establishments	Persons engaged (No.)	Employees (No.)	Salaries & Wages (Rs.)	Value of output (Rs.)	Value of input (Rs.)	Value added (Rs.)	Gross additions to fixed assets (Rs.)
Western	Group Total	7,627	653,357	642,516	134,707,911,537	1,797,488,372,092	1,096,182,686,878	701,305,685,214	185,202,784,515
	14 Other Mining and Quarrying	384	2,558	2,345	260,498,140	562,853,800	134,751,394	428,102,406	1,000,000
	15 Manu.of food prodcts and beverages	1,435	52,301	47,264	7,480,898,970	295,757,334,330	164,591,939,375	131,165,394,954	15,994,051,421
	16 Manu.of tobacco products	13	2,777	2,754	1,157,190,019	35,859,790,684	2,684,159,393	33,175,631,291	291,496,486
	17 Manu.of Textiles	634	114,193	113,869	42,613,420,296	595,473,161,541	411,550,109,320	183,923,052,221	69,101,017,041
	18 Manu.of wearing Apparel, dressing & dyeing of fur	1,442	253,327	251,470	34,485,531,517	226,301,134,445	119,682,490,854	106,618,643,590	11,059,610,827
	19 Tanning and dressing of leather; manu. of luggage, hand	82	5,630	5,447	832,835,987	5,717,697,273	3,074,660,925	2,643,036,348	93,859,867
	20 Manu.of wood & products of wood & cork except furniture	486	5,615	5,049	494,367,049	1,805,999,952	751,256,549	1,054,743,403	112,411,349
	21 Manu.of paper and paper products	109	7,741	7,738	1,760,344,364	31,134,877,524	24,128,591,421	7,006,286,103	993,107,209
	22 Publishing, printing and reproduction of recorded media	415	17,147	16,760	3,882,850,865	24,942,463,513	14,600,089,140	10,342,374,373	2,018,284,710
	23 Manu.of coke refined petroleum products and nuclear fuel	2	3,047	3,047	1,916,149,572	125,920,356,397	113,622,157,840	12,298,198,557	330,149,273
	24 Manu.of chemicals & chemical products	298	14,821	14,581	4,366,932,356	74,820,424,782	45,056,250,580	29,764,174,202	4,207,840,510
	25 Manu.of rubber & plastic products	557	43,849	43,377	6,480,986,692	100,255,386,607	53,132,017,236	47,123,369,371	3,829,202,612
	26 Manu. of other non metallic mineral products	662	32,393	31,887	4,344,236,120	34,607,597,762	18,340,884,848	16,266,712,914	2,144,568,485
	27 Manu.of basic metals	72	4,924	4,920	924,711,808	16,481,431,773	8,663,506,189	7,817,925,584	6,319,223,309
	28 Manu.of fabricated metal products except machinery equip	482	10,369	9,670	1,271,600,484	9,553,426,056	5,752,203,091	3,801,222,965	293,701,071
	29 Manu.of Machinery & equipments (n.e.c.)	81	8,311	8,233	1,322,518,299	13,359,536,266	9,995,500,682	3,364,035,584	563,081,402
	30 Manu.of office, accounting and computing machinery	2	3,334	3,334	350,589,246	3,675,046,264	1,689,403,424	1,985,642,840	606,348
	31 Manu.of Electrical machinery and apparatus n.e.c.	57	8,591	8,584	1,429,126,712	43,443,461,608	29,822,132,408	13,621,329,199	1,406,773,269
	32 Manu.of Radio, TV & communication equipment and apparatu	33	2,516	2,516	379,654,643	2,860,500,342	1,712,696,617	1,147,803,725	236,652,291
	33 Manu.of medical, precision & optical instruments, watche	4	58	51	4,628,840	33,171,947	18,691,604	14,480,343	737,550
	34 Manu.of motor vehicles, trailers and semi-trailers	28	1,563	1,563	311,159,269	1,677,122,915	818,932,144	858,190,771	430,159,321
	35 Manu.of other transport equipment	52	9,613	9,556	2,554,708,535	22,813,804,777	12,258,510,146	10,555,294,630	1,075,306,086
	36 Manu.of furniture, Manufacturing of n.e.c.	285	24,989	24,827	3,084,308,232	27,697,901,285	16,736,673,622	10,961,227,663	2,342,755,310
	37 Recycling	8	218	203	27,028,592	325,670,849	203,785,199	121,885,650	63,651
	40 Electricity, Gas, Steam and Hot water supply	6	14,624	14,624	8,771,688,760	94,986,207,403	35,255,045,798	59,731,161,605	50,444,140,012
	41 Collection, purification and distribution of water	1	8,849	8,849	4,199,946,170	7,422,012,000	1,906,247,077	5,515,764,923	11,912,985,103

(cont.)

Table 6 : Principal indicators of industrial activity classified by province & industry division - 2007
(Establishment with 5 or more persons engaged)

Province & Industry division		No. of establishments	Persons engaged (No.)	Employees (No.)	Salaries & Wages (Rs.)	Value of output (Rs.)	Value of input (Rs.)	Value added (Rs.)	Gross additions to fixed assets (Rs.)
Central	Group Total	2,041	77,592	74,519	7,497,243,704	87,314,318,452	44,437,077,961	42,877,240,491	2,081,739,995
	14 Other Mining and Quarrying	180	1,894	1,690	204,131,457	1,895,720,825	449,911,160	1,445,809,665	45,472,270
	15 Manu.of food prodcts and beverages	606	22,966	22,093	2,501,023,149	32,460,318,992	18,516,075,871	13,944,243,121	747,950,964
	16 Manu.of tobacco products	39	281	176	10,470,000	718,050,000	463,303,476	254,746,524	255,000
	17 Manu.of Textiles	180	2,269	2,220	86,968,373	163,108,011	40,423,394	122,684,617	-
	18 Manu.of wearing Apparel, dressing & dyeing of fur	118	26,393	26,319	2,573,949,694	34,456,925,868	17,592,738,315	16,864,187,553	338,667,267
	19 Tanning and dressing of leather; manu. of luggage, hand	37	3,330	3,270	315,788,508	531,356,304	118,208,468	413,147,836	472,012
	20 Manu.of wood & products of wood & cork except furniture	177	1,547	1,111	70,422,153	362,513,990	148,842,940	213,671,050	13,588,567
	21 Manu.of paper and paper products	25	626	593	43,824,707	441,890,901	246,389,521	195,501,381	13,300,438
	22 Publishing, printing and reproduction of recorded media	16	208	199	14,040,000	39,208,675	5,803,831	33,404,844	11,200,000
	24 Manu.of chemicals & chemical products	12	420	391	26,739,124	172,053,869	71,372,987	100,680,883	34,789,374
	25 Manu.of rubber & plastic products	24	1,217	1,193	155,747,553	3,211,883,882	1,310,093,238	1,901,790,644	23,226,918
	26 Manu. of other non metallic mineral products	397	7,174	6,281	918,443,936	8,093,001,260	2,566,676,591	5,526,324,669	321,384,000
	27 Manu.of basic metals	2	10	10	744,000	2,000,000	270,500	1,729,500	-
	28 Manu.of fabricated metal products except machinery equip	129	1,118	865	19,870,691	297,661,766	230,927,334	66,734,432	4,719,000
	29 Manu.of Machinery & equipments (n.e.c.)	3	199	199	13,907,000	50,410,333	32,993,000	17,417,333	3,300,000
	30 Manu.of office, accounting and computing machinery	1	1,549	1,549	242,965,399	2,419,007,543	1,479,486,059	939,521,484	46,299,927
	34 Manu.of motor vehicles, trailers and semi-trailers	4	135	131	13,900,000	23,867,483	6,746,450	17,121,033	134,100
	36 Manu.of furniture, Manufacturing of n.e.c.	81	6,050	6,024	249,859,788	1,840,918,895	1,141,598,803	699,320,092	476,890,158
	40 Electricity, Gas, Steam and Hot water supply	4	80	80	11,202,192	83,960,800	-	83,960,800	-
	41 Collection, purification and distribution of water	5	127	127	23,245,980	50,459,055	15,216,024	35,243,031	90,000
Southern	Group Total	1,417	66,371	64,484	5,811,363,442	75,165,177,053	32,887,674,080	42,277,502,973	2,588,792,363
	14 Other Mining and Quarrying	75	602	513	43,265,000	215,958,950	54,329,200	161,629,750	-
	15 Manu.of food prodcts and beverages	438	18,600	17,942	1,673,278,299	33,368,199,905	15,421,295,705	17,946,904,201	435,021,177
	16 Manu.of tobacco products	6	56	43	1,909,600	5,349,600	2,003,600	3,346,000	-
	17 Manu.of Textiles	199	1,417	1,107	59,844,055	246,955,435	81,545,024	165,410,412	5,633,000
	18 Manu.of wearing Apparel, dressing & dyeing of fur	187	31,910	31,651	2,797,214,585	23,222,432,522	7,909,957,077	15,312,475,445	986,779,536
	19 Tanning and dressing of leather; manu. of luggage, hand	25	1,033	1,019	104,511,000	2,072,998,000	1,841,173,662	231,824,338	36,659,702
	20 Manu.of wood & products of wood & cork except furniture	78	676	570	51,319,406	206,930,803	117,236,925	89,693,878	15,906,000
	21 Manu.of paper and paper products	13	209	192	10,287,045	40,870,201	22,439,972	18,430,229	-
	22 Publishing, printing and reproduction of recorded media	12	256	242	13,108,860	47,954,655	23,362,750	24,591,905	294,000
	24 Manu.of chemicals & chemical products	43	1,998	1,949	120,697,000	622,782,748	223,767,649	399,015,099	28,882,352
	25 Manu.of rubber & plastic products	37	4,098	4,068	449,613,242	13,138,209,246	6,138,523,810	6,999,685,437	828,153,125
	26 Manu. of other non metallic mineral products	160	2,643	2,409	238,882,000	820,509,000	471,352,713	349,156,287	141,160,000
	27 Manu.of basic metals	12	72	20	3,456,000	18,083,000	10,564,200	7,518,800	1,618,000
	28 Manu.of fabricated metal products except machinery equip	9	181	180	17,461,400	67,872,855	27,801,691	40,071,164	-
	29 Manu.of Machinery & equipments (n.e.c.)	13	101	91	11,414,667	39,232,930	23,514,757	15,718,173	-
	32 Manu.of Radio, TV & communication equipment and apparatus	2	32	29	4,200,000	23,548,000	16,839,600	6,708,400	140,000
	34 Manu.of motor vehicles, trailers and semi-trailers	6	92	82	8,723,044	37,210,614	20,834,764	16,375,850	1,102,182
	36 Manu.of furniture, Manufacturing of n.e.c.	96	2,012	2,000	150,182,500	258,226,721	113,860,279	144,366,442	46,500,000
	37 Recycling	2	318	318	39,368,520	588,479,826	357,826,104	230,653,722	58,642,290
	41 Collection, purification and distribution of water	7	68	61	12,627,219	123,372,042	9,444,600	113,927,442	2,301,000

(cont.)

Table 6 : Principal indicators of industrial activity classified by province & industry division - 2007
(Establishment with 5 or more persons engaged)

Province & Industry division		No. of establishments	Persons engaged (No.)	Employees (No.)	Salaries & Wages (Rs.)	Value of output (Rs.)	Value of input (Rs.)	Value added (Rs.)	Gross additions to fixed assets (Rs.)
Northern	Group Total	333	3,652	3,224	282,653,967	2,095,087,557	1,211,488,473	883,599,084	144,087,800
	14 Other Mining and Quarrying	2	26	26	3,450,000	14,538,000	7,013,020	7,524,980	-
	15 Manu.of food prodcts and beverages	178	1,749	1,529	175,107,104	1,597,408,584	981,028,542	616,380,042	72,979,500
	16 Manu.of tobacco products	7	147	140	5,670,000	20,120,338	945,000	19,175,338	-
	17 Manu.of Textiles	6	79	49	1,355,456	514,063	251,889	262,174	-
	18 Manu.of wearing Apparel, dressing & dyeing of fur	57	626	499	23,730,000	66,040,200	17,487,625	48,552,575	2,200,800
	20 Manu.of wood & products of wood & cork except furniture	2	16	14	1,692,000	16,477,400	5,047,000	11,430,400	-
	22 Publishing, printing and reproduction of recorded media	32	449	430	24,742,450	180,322,050	101,346,312	78,975,739	29,024,500
	24 Manu.of chemicals & chemical products	4	101	101	3,633,957	39,447,823	4,791,396	34,656,427	3,000
	26 Manu. of other non metallic mineral products	25	318	310	29,984,000	122,217,300	72,533,690	49,683,610	36,750,000
	28 Manu.of fabricated metal products except machinery equip	13	67	59	8,370,000	20,724,800	11,036,000	9,688,800	1,980,000
	29 Manu.of Machinery & equipments (n.e.c.)	1	12	11	858,000	1,635,000	514,000	1,121,000	900,000
	34 Manu.of motor vehicles, trailers and semi-trailers	2	29	27	1,469,000	12,400,000	9,020,000	3,380,000	250,000
	36 Manu.of furniture, Manufacturing of n.e.c.	4	34	30	2,592,000	3,242,000	474,000	2,768,000	-
Eastern	Group Total	768	13,185	11,904	1,138,947,991	13,023,312,526	6,207,285,716	6,816,026,811	730,313,933
	14 Other Mining and Quarrying	55	591	538	26,396,000	78,177,000	33,424,000	44,753,000	1,364,000
	15 Manu.of food prodcts and beverages	311	3,211	2,865	334,424,600	4,726,316,320	3,648,094,167	1,078,222,153	572,500,000
	16 Manu.of tobacco products	6	30	6	192,000	3,792,000	2,006,100	1,785,900	-
	17 Manu.of Textiles	60	470	434	22,089,186	56,534,568	33,868,825	22,665,743	5,838,800
	18 Manu.of wearing Apparel, dressing & dyeing of fur	52	6,044	5,958	498,344,550	7,393,365,648	2,085,290,390	5,308,075,259	114,691,133
	19 Tanning and dressing of leather; manu. of luggage, hand	3	27	21	1,791,000	34,072,500	16,986,000	17,086,500	-
	20 Manu.of wood & products of wood & cork except furniture	72	422	273	20,175,500	102,593,100	61,963,100	40,630,000	10,272,500
	21 Manu.of paper and paper products	1	262	262	62,992,559	40,003,338	49,511,437	-9,508,099	-
	22 Publishing, printing and reproduction of recorded media	7	68	57	4,275,930	18,574,924	6,415,903	12,159,021	6,560,000
	24 Manu.of chemicals & chemical products	2	15	14	1,695,000	11,242,000	8,451,750	2,790,250	1,185,000
	25 Manu.of rubber & plastic products	5	99	87	11,972,480	11,608,400	8,890,276	2,718,124	-
	26 Manu. of other non metallic mineral products	160	1,635	1,145	127,538,586	470,686,228	230,753,936	239,932,293	16,642,500
	28 Manu.of fabricated metal products except machinery equip	25	247	189	22,995,000	60,509,500	12,760,813	47,748,688	1,260,000
	29 Manu.of Machinery & equipments (n.e.c.)	2	12	10	835,200	7,360,000	6,419,720	940,280	-
	34 Manu.of motor vehicles, trailers and semi-trailers	1	11	11	1,130,400	3,167,000	1,191,400	1,975,600	-
36 Manu.of furniture, Manufacturing of n.e.c.	6	42	36	2,100,000	5,310,000	1,257,900	4,052,100	-	

(cont.)

Table 6 : Principal indicators of industrial activity classified by province & industry division - 2007
(Establishment with 5 or more persons engaged)

Province & Industry division		No. of establishments	Persons engaged (No.)	Employees (No.)	Salaries & Wages (Rs.)	Value of output (Rs.)	Value of input (Rs.)	Value added (Rs.)	Gross additions to fixed assets (Rs.)
North-West	Group Total	3,719	102,307	97,816	9,878,056,930	104,875,692,340	65,793,030,451	39,082,661,888	3,995,189,659
	14 Other Mining and Quarrying	104	8,147	7,769	906,527,100	2,547,450,990	256,385,639	2,291,065,351	148,907,440
	15 Manu.of food prodcts and beverages	681	9,872	8,718	830,296,137	10,116,760,054	6,451,618,772	3,665,141,281	953,605,486
	16 Manu.of tobacco products	23	192	182	9,875,571	54,740,511	17,114,827	37,625,685	-
	17 Manu.of Textiles	979	13,815	12,892	1,181,132,998	13,211,444,502	9,334,110,273	3,877,334,229	505,586,249
	18 Manu.of wearing Apparel, dressing & dyeing of fur	94	43,244	43,210	4,540,592,392	41,758,223,531	29,554,719,722	12,203,503,809	1,294,648,183
	19 Tanning and dressing of leather; manu. of luggage, hand	19	166	130	8,591,400	30,929,000	20,955,800	9,973,200	20,000
	20 Manu.of wood & products of wood & cork except furniture	184	1,568	1,358	175,109,481	864,762,976	606,254,295	258,508,681	260,000
	21 Manu.of paper and paper products	7	236	220	15,723,590	49,834,166	26,164,953	23,669,213	1,941,080
	22 Publishing, printing and reproduction of recorded media	4	123	116	9,731,499	68,228,502	47,814,423	20,414,079	-
	24 Manu.of chemicals & chemical products	5	55	55	3,210,000	4,000,000	695,000	3,305,000	-
	25 Manu.of rubber & plastic products	36	1,880	1,876	225,245,324	3,215,380,179	2,486,702,860	728,677,319	158,556,960
	26 Manu. of other non metallic mineral products	1,309	18,158	16,707	1,555,919,135	10,054,789,384	4,794,617,408	5,260,171,976	804,503,417
	27 Manu.of basic metals	5	435	435	60,752,000	3,383,696,000	2,495,581,445	888,114,555	10,829,651
	28 Manu.of fabricated metal products except machinery equip	61	370	265	30,231,816	77,763,500	36,308,578	41,454,922	667,500
	29 Manu.of Machinery & equipments (n.e.c.)	1	9	8	780,000	1,128,000	168,000	960,000	-
	31 Manu.of Electrical machinery and apparatus n.e.c.	4	129	127	21,976,880	274,408,202	236,662,485	37,745,717	2,568,374
	32 Manu.of Radio, TV & communication equipment and apparatu	1	48	48	4,338,000	22,172,500	10,548,214	11,624,286	-
	34 Manu.of motor vehicles, trailers and semi-trailers	9	99	94	8,210,941	24,106,250	8,534,142	15,572,108	36,100,000
	36 Manu.of furniture, Manufacturing of n.e.c.	187	3,664	3,544	262,208,387	2,288,343,012	994,531,789	1,293,811,223	76,955,320
	40 Electricity, Gas, Steam and Hot water supply	1	46	46	26,090,278	16,822,986,080	8,411,493,038	8,411,493,042	-
41 Collection, purification and distribution of water	5	52	16	1,514,000	4,545,000	2,048,788	2,496,212	40,000	
North-Central	Group Total	801	21,986	21,012	2,118,151,053	26,154,848,714	16,830,761,696	9,324,087,018	377,137,038
	14 Other Mining and Quarrying	211	1,944	1,755	136,816,540	605,801,075	325,238,250	280,562,825	39,421,000
	15 Manu.of food prodcts and beverages	466	6,166	5,470	690,525,836	19,452,650,802	13,057,833,866	6,394,816,936	209,305,195
	16 Manu.of tobacco products	1	19	19	1,692,000	13,545,000	7,467,000	6,078,000	-
	17 Manu.of Textiles	30	347	347	9,583,824	17,160,660	3,430,057	13,730,603	-
	18 Manu.of wearing Apparel, dressing & dyeing of fur	34	11,621	11,606	1,090,414,402	4,808,770,351	2,701,298,900	2,107,471,450	77,173,837
	20 Manu.of wood & products of wood & cork except furniture	15	352	333	21,197,011	143,563,500	86,659,782	56,903,718	29,236,276
	22 Publishing, printing and reproduction of recorded media	4	44	38	1,569,000	6,632,960	2,860,140	3,772,820	1,350,000
	24 Manu.of chemicals & chemical products	1	6	4	360,000	1,046,000	136,000	910,000	-
	25 Manu.of rubber & plastic products	5	364	358	19,722,200	369,086,322	204,735,027	164,351,295	20,540,730
	26 Manu. of other non metallic mineral products	12	642	632	101,175,614	577,516,992	327,052,040	250,464,952	-
	28 Manu.of fabricated metal products except machinery equip	9	113	103	10,266,128	74,351,000	52,587,480	21,763,520	-
	29 Manu.of Machinery & equipments (n.e.c.)	3	26	20	1,197,600	11,548,950	6,108,750	5,440,200	-
	34 Manu.of motor vehicles, trailers and semi-trailers	1	148	148	22,784,098	25,749,183	25,502,749	246,434	-
	36 Manu.of furniture, Manufacturing of n.e.c.	8	189	174	9,226,800	46,750,920	28,386,655	18,364,265	110,000
41 Collection, purification and distribution of water	1	6	6	1,620,000	675,000	1,465,000	-790,000	-	

(cont.)

Table 6 : Principal indicators of industrial activity classified by province & industry division - 2007
(Establishment with 5 or more persons engaged)

Province & Industry division		No. of establishments	Persons engaged (No.)	Employees (No.)	Salaries & Wages (Rs.)	Value of output (Rs.)	Value of input (Rs.)	Value added (Rs.)	Gross additions to fixed assets (Rs.)
Uva	Group Total	415	17,187	16,868	1,434,580,516	19,069,348,577	11,365,928,453	7,703,420,124	422,104,216
	14 Other Mining and Quarrying	62	798	749	78,174,600	614,918,900	57,676,630	557,242,270	494,000
	15 Manu.of food prodcts and beverages	153	7,459	7,375	788,204,200	13,269,401,868	8,623,893,092	4,645,508,776	326,425,595
	16 Manu.of tobacco products	2	11	1	4,000	249,700	166,150	83,550	-
	17 Manu.of Textiles	38	303	303	19,942,108	3,776,269	6,074,908	-2,298,639	-
	18 Manu.of wearing Apparel, dressing & dyeing of fur	36	6,737	6,707	364,982,994	4,085,125,288	2,226,111,679	1,859,013,609	93,761,121
	19 Tanning and dressing of leather; manu. of luggage, hand	2	18	12	1,206,000	5,642,875	1,330,900	4,311,975	91,000
	20 Manu.of wood & products of wood & cork except furniture	32	483	449	57,626,766	251,680,825	104,852,716	146,828,109	800,000
	22 Publishing, printing and reproduction of recorded media	6	33	21	1,602,000	5,387,100	2,637,000	2,750,100	75,000
	24 Manu.of chemicals & chemical products	5	96	84	6,211,968	13,832,806	6,563,156	7,269,651	-
	25 Manu.of rubber & plastic products	4	57	55	4,460,600	86,915,902	13,700,005	73,215,897	-
	26 Manu. of other non metallic mineral products	41	598	593	73,270,955	266,332,636	128,696,296	137,636,340	-
	28 Manu.of fabricated metal products except machinery equip	14	138	128	6,511,800	13,196,775	1,384,811	11,811,964	120,000
	34 Manu.of motor vehicles, trailers and semi-trailers	1	5	5	900,000	3,392,160	2,226,160	1,166,000	15,000
	36 Manu.of furniture, Manufacturing of n.e.c.	16	394	346	25,428,526	185,631,499	101,734,537	83,896,962	37,500
40 Electricity, Gas, Steam and Hot water supply	1	12	12	1,584,000	248,164,000	79,948,000	168,216,000	-	
41 Collection, purification and distribution of water	3	46	30	4,470,000	15,699,975	8,932,414	6,767,561	285,000	
Sabaragamuwa	Group Total	948	54,851	51,766	3,927,234,521	50,877,271,080	26,180,869,645	24,696,401,435	1,941,748,994
	14 Other Mining and Quarrying	294	7,468	5,021	342,078,612	2,238,058,054	872,841,033	1,365,217,021	125,361,205
	15 Manu.of food prodcts and beverages	202	15,310	15,129	1,128,628,143	19,566,517,871	10,519,982,496	9,046,535,375	648,668,559
	16 Manu.of tobacco products	32	1,384	1,303	52,311,000	285,609,152	114,100,812	171,508,340	28,002,500
	17 Manu.of Textiles	55	1,996	1,868	46,026,357	313,237,045	76,317,745	236,919,300	2,056,300
	18 Manu.of wearing Apparel, dressing & dyeing of fur	43	14,564	14,513	997,523,895	12,081,821,717	4,044,678,301	8,037,143,417	640,621,185
	19 Tanning and dressing of leather; manu. of luggage, hand	15	207	191	14,394,000	51,601,000	30,141,000	21,460,000	-
	20 Manu.of wood & products of wood & cork except furniture	31	1,375	1,340	143,576,254	585,609,161	327,739,258	257,869,903	37,722,091
	21 Manu.of paper and paper products	4	177	172	13,262,057	55,439,108	30,783,842	24,655,266	977,492
	22 Publishing, printing and reproduction of recorded media	11	87	75	6,956,418	19,607,711	9,197,335	10,410,376	900,000
	24 Manu.of chemicals & chemical products	23	244	238	16,508,412	96,071,848	30,633,787	65,438,061	15,000,000
	25 Manu.of rubber & plastic products	116	8,672	8,671	820,902,890	12,979,927,727	8,871,806,713	4,108,121,014	327,904,545
	26 Manu. of other non metallic mineral products	70	2,005	1,921	201,406,746	1,475,599,629	826,172,226	649,427,403	70,425,673
	27 Manu.of basic metals	1	9	9	840,000	31,934,014	20,395,860	11,538,154	-
	28 Manu.of fabricated metal products except machinery equip	2	23	20	2,376,000	8,185,000	1,945,750	6,239,250	-
	30 Manu.of office, accounting and computing machinery	3	343	337	7,472,603	42,040,604	34,363,714	7,676,890	1,827,870
	34 Manu.of motor vehicles, trailers and semi-trailers	1	5	4	420,000	1,680,000	960,000	720,000	20,000
36 Manu.of furniture, Manufacturing of n.e.c.	29	622	597	69,694,191	328,931,678	151,198,227	177,733,451	19,039,906	
40 Electricity, Gas, Steam and Hot water supply	14	164	161	16,385,408	494,383,535	182,558,796	311,824,739	23,221,668	
41 Collection, purification and distribution of water	3	197	197	46,471,536	221,016,226	35,052,751	185,963,475	-	

Table 7 : Principal indicators of industrial activity classified by district - 2007
(Establishments with 5 or more persons engaged)
(for manufacturing sector)

District	No. of establishments	Persons engaged (No.)	Employees (No.)	Salaries & Wages (Rs.)	Value of output (Rs.)	Value of input (Rs.)	Value added (Rs.)	Gross additions to fixed assets (Rs.)
Colombo	3,302	217,844	213,263	32,921,145,467	475,329,444,955	252,417,940,664	222,911,504,292	26,386,754,991
Gampaha	3,127	293,487	288,137	45,948,917,682	619,873,511,489	392,814,005,262	227,059,506,228	21,989,864,685
Kalutara	807	115,994	115,299	42,605,715,319	599,314,342,445	413,654,696,684	185,659,645,761	74,468,039,724
Kandy	1,287	47,644	45,219	4,217,218,121	42,873,605,646	21,523,350,472	21,350,255,174	1,662,515,292
Matale	266	6,324	6,002	772,891,223	8,751,071,987	3,800,586,989	4,950,484,998	153,743,780
Nuwara-Eliya	299	21,523	21,402	2,268,554,730	33,659,500,140	18,648,013,317	15,011,486,823	219,918,653
Galle	844	32,663	31,495	3,442,174,157	37,714,883,238	17,109,973,877	20,604,909,360	935,174,864
Matara	341	17,488	17,134	1,454,086,184	26,944,031,689	13,388,103,090	13,555,928,598	981,127,318
Hambantota	151	15,551	15,282	859,210,882	10,166,931,134	2,325,823,312	7,841,107,822	670,189,182
Jaffna	243	2,718	2,338	202,243,684	1,233,342,411	708,708,799	524,633,612	49,620,300
Mannar	45	495	487	26,892,027	167,208,289	48,630,896	118,577,393	69,800,000
Vavuniya	43	413	374	50,068,256	679,998,857	447,135,758	232,863,099	24,667,500
Batticaloa	217	2,463	1,899	254,469,725	1,523,487,746	880,834,620	642,653,127	231,648,800
Ampara	417	9,484	8,936	807,627,472	10,947,732,141	4,968,452,582	5,979,279,560	150,398,133
Trincomalee	79	647	532	50,454,794	473,915,639	324,574,515	149,341,125	346,903,000
Kurunegala	2,299	69,017	65,952	7,038,492,800	70,793,564,935	49,683,681,440	21,109,883,495	3,293,982,956
Puttalam	1,310	25,046	24,033	1,905,432,752	14,707,145,334	7,439,421,546	7,267,723,788	552,259,264
Anuradhapura	304	13,849	13,515	1,417,681,410	12,272,360,612	8,313,933,517	3,958,427,095	172,276,037
Polonnaruwa	285	6,187	5,737	562,033,103	13,276,012,027	8,190,124,929	5,085,887,098	165,440,001
Badulla	265	12,664	12,515	1,040,131,740	15,221,421,754	9,409,319,793	5,812,101,962	92,787,909
Moneragala	84	3,667	3,563	310,220,176	2,969,143,948	1,810,051,617	1,159,092,331	328,537,307
Ratnapura	388	27,130	26,874	2,488,398,662	23,019,618,549	13,835,804,804	9,183,813,745	894,518,113
Kegalle	249	19,892	19,514	1,033,900,303	24,904,194,716	11,254,612,261	13,649,582,455	898,648,008
Total	16,652	962,188	939,497	151,677,960,670	2,046,816,469,680	1,252,997,780,741	793,818,688,939	134,738,815,814

Table 8 : Principal indicators of industrial activity classified by district - 2007
(Establishments with 25 or more persons engaged)
(for manufacturing sector)

District	No. of establishments	Persons engaged (No.)	Employees (No.)	Salaries & Wages (Rs.)	Value of output (Rs.)	Value of input (Rs.)	Value added (Rs.)	Gross additions to fixed assets (Rs.)
Colombo	978	191,858	191,092	29,610,313,114	452,337,522,190	239,165,291,674	213,172,230,516	22,466,165,764
Gampaha	822	273,009	271,673	44,395,803,172	604,357,476,023	385,564,694,198	218,792,781,826	21,104,297,906
Kalutara	311	111,175	111,120	42,257,765,699	597,151,019,139	412,342,011,266	184,809,007,873	74,455,072,057
Kandy	296	39,515	38,922	3,891,493,689	39,944,166,300	20,411,371,018	19,532,795,282	1,632,591,258
Matale	20	4,103	4,101	608,376,474	3,740,745,529	2,014,532,264	1,726,213,265	134,798,780
Nuwara-Eliya	165	20,423	20,415	2,186,294,415	33,187,505,859	18,388,743,048	14,798,762,811	30,888,653
Galle	174	24,696	24,481	2,904,120,295	32,775,158,437	14,640,699,815	18,134,458,622	852,567,094
Matara	139	15,663	15,628	1,359,429,307	26,506,674,172	13,149,719,377	13,356,954,794	957,973,818
Hambantota	29	14,457	14,432	792,036,557	9,862,524,709	2,201,317,186	7,661,207,523	656,157,582
Jaffna	11	408	408	22,300,450	174,237,750	91,239,312	82,998,439	6,033,000
Mannar	1	59	59	648,027	32,156,389	2,032,896	30,123,493	-
Batticaloa	17	886	587	92,128,559	104,589,193	64,531,381	40,057,813	-
Ampara	6	5,925	5,925	486,676,272	7,365,245,921	2,068,438,145	5,296,807,777	114,206,133
Trincomalee	3	120	120	11,700,000	194,403,600	151,165,350	43,238,250	-
Kurunegala	214	50,363	50,203	5,386,201,252	63,441,261,766	45,680,364,888	17,760,896,877	2,985,430,013
Puttalam	78	11,796	11,728	1,018,637,706	8,606,291,687	3,911,324,614	4,694,967,072	512,939,007
Anuradhapura	21	10,343	10,338	1,051,663,463	6,269,611,126	3,587,420,662	2,682,190,463	131,661,837
Polonnaruwa	24	3,480	3,458	259,496,603	3,107,966,077	578,444,346	2,529,521,731	84,955,501
Badulla	127	11,459	11,437	948,381,663	14,768,089,239	9,163,305,585	5,604,783,654	91,439,409
Moneragala	9	3,146	3,140	276,706,850	2,785,347,533	1,723,074,277	1,062,273,256	325,432,307
Ratnapura	189	25,278	25,251	2,334,232,694	22,153,798,080	13,351,286,333	8,802,511,747	860,167,743
Kegalle	84	17,965	17,837	902,215,855	18,143,205,266	5,376,422,110	12,766,783,156	854,825,208
Total	3,715	836,124	832,353	140,796,622,118	1,947,008,995,983	1,193,627,429,744	753,381,566,239	128,257,603,068

Table 9 : Principal indicators of industrial activity classified by district - 2007
(Establishments with less than 25 persons engaged)
(for manufacturing sector)

District	No. of establishments	Persons engaged (No.)	Employees (No.)	Salaries & Wages (Rs.)	Value of output (Rs.)	Value of input (Rs.)	Value added (Rs.)	Gross additions to fixed assets (Rs.)
Colombo	2,324	25,986	22,171	3,310,832,353	22,991,922,765	13,252,648,989	9,739,273,776	3,920,589,227
Gampaha	2,305	20,478	16,464	1,553,114,509	15,516,035,466	7,249,311,064	8,266,724,402	885,566,779
Kalutara	496	4,819	4,180	347,949,620	2,163,323,305	1,312,685,418	850,637,888	12,967,667
Kandy	991	8,129	6,297	325,724,432	2,929,439,346	1,111,979,454	1,817,459,893	29,924,034
Matale	246	2,222	1,901	164,514,749	5,010,326,458	1,786,054,725	3,224,271,733	18,945,000
Nuwara-Eliya	135	1,100	987	82,260,315	471,994,281	259,270,269	212,724,012	189,030,000
Galle	670	7,967	7,014	538,053,861	4,939,724,801	2,469,274,062	2,470,450,739	82,607,770
Matara	203	1,825	1,506	94,656,877	437,357,517	238,383,713	198,973,804	23,153,500
Hambantota	122	1,095	850	67,174,325	304,406,425	124,506,126	179,900,299	14,031,600
Jaffna	233	2,310	1,930	179,943,234	1,059,104,661	617,469,488	441,635,174	43,587,300
Mannar	44	436	428	26,244,000	135,051,900	46,598,000	88,453,900	69,800,000
Vavuniya	43	413	374	50,068,256	679,998,857	447,135,758	232,863,099	24,667,500
Batticaloa	201	1,578	1,313	162,341,166	1,418,898,553	816,303,239	602,595,314	231,648,800
Ampara	411	3,559	3,011	320,951,200	3,582,486,220	2,900,014,437	682,471,783	36,192,000
Trincomalee	76	527	412	38,754,794	279,512,039	173,409,165	106,102,875	346,903,000
Kurunegala	2,085	18,654	15,748	1,652,291,548	7,352,303,170	4,003,316,552	3,348,986,618	308,552,943
Puttalam	1,232	13,249	12,306	886,795,046	6,100,853,648	3,528,096,932	2,572,756,715	39,320,257
Anuradhapura	284	3,507	3,177	366,017,947	6,002,749,487	4,726,512,855	1,276,236,632	40,614,200
Polonnaruwa	261	2,708	2,279	302,536,500	10,168,045,950	7,611,680,583	2,556,365,366	80,484,500
Badulla	139	1,205	1,078	91,750,077	453,332,515	246,014,208	207,318,308	1,348,500
Moneragala	75	521	423	33,513,327	183,796,415	86,977,340	96,819,076	3,105,000
Ratnapura	199	1,853	1,623	154,165,968	865,820,469	484,518,471	381,301,998	34,350,370
Kegalle	166	1,927	1,677	131,684,448	6,760,989,450	5,878,190,151	882,799,299	43,822,800
Total	12,937	126,064	107,144	10,881,338,552	99,807,473,697	59,370,350,997	40,437,122,700	6,481,212,746

Table 10 : Establishments classified by persons engaged size class & industry division - 2007
(Establishments with 5 or more persons engaged)

Industry division	Persons engaged size class						Total
	less than 10	10 - 19	20 - 39	40 - 99	100 - 499	500 & above	
14 Other Mining and Quarrying	853	253	206	6	49	-	1,366
15 Manu.of food products and beverages	1,905	1,420	175	729	226	16	4,471
16 Manu.of tobacco products	68	24	16	16	3	2	129
17 Manu.of Textiles	1,044	811	43	69	111	103	2,181
18 Manu.of wearing Apparel, dressing & dyeing of fur	993	280	59	165	325	241	2,063
19 Tanning and dressing of leather; manu. of luggage, hand	103	50	15	-	10	5	183
20 Manu.of wood & products of wood & cork except furniture	883	103	48	38	3	1	1,076
21 Manu.of paper and paper products	18	27	16	83	15	-	159
22 Publishing, printing and reproduction of recorded media	93	314	37	44	13	5	507
23 Manu.of coke refined petroleum products and nuclear fuel	-	-	-	-	1	1	2
24 Manu.of chemicals & chemical products	154	139	9	39	47	4	392
25 Manu.of rubber & plastic products	49	136	329	130	117	23	783
26 Manu. of other non metallic mineral products	1,633	854	158	140	23	28	2,836
27 Manu.of basic metals	13	41	-	21	17	-	91
28 Manu.of fabricated metal products except machinery equip	545	63	74	26	36	-	744
29 Manu.of Machinery & equipments (n.e.c.)	31	5	40	3	22	3	104
30 Manu.of office, accounting and computing machinery	-	2	-	-	1	3	6
31 Manu.of Electrical machinery and apparatus n.e.c.	3	-	2	38	13	5	61
32 Manu.of Radio, TV & communication equipment and apparatus	22	2	1	6	4	2	36
33 Manu.of medical, precision & optical instruments, watches	3	-	1	-	-	-	4
34 Manu.of motor vehicles, trailers and semi-trailers	14	13	20	2	4	1	53
35 Manu.of other transport equipment	6	13	-	13	13	7	52
36 Manu.of furniture, Manufacturing of n.e.c.	215	110	126	205	45	10	711
37 Recycling	2	4	1	-	3	-	10
40 Electricity, Gas, Steam and Hot water supply	1	14	4	3	3	1	26
41 Collection, purification and distribution of water	10	11	1	3	-	1	25
Total	8,660	4,689	1,379	1,776	1,103	462	18,069

Table 11 : Establishments classified by output size class & industry division - 2007
(Establishments with 5 or more persons engaged)

Industry division	Size class - Value of output (Rs)					Total
	less than 100,000	100,000 - 249,999	250,000 - 999,999	1,000,000 - 99,999,999	100,000,000 & above	
14 Other Mining and Quarrying	-	20	308	1,032	7	1,366
15 Manu.of food products and beverages	19	-	352	3,551	549	4,471
16 Manu.of tobacco products	-	2	17	107	3	129
17 Manu.of Textiles	72	152	445	1,340	172	2,181
18 Manu.of wearing Apparel, dressing & dyeing of fur	-	231	555	992	286	2,063
19 Tanning and dressing of leather; manu. of luggage, hand	-	-	79	91	13	183
20 Manu.of wood & products of wood & cork except furniture	-	15	113	946	2	1,076
21 Manu.of paper and paper products	-	-	-	72	87	159
22 Publishing, printing and reproduction of recorded media	-	-	30	455	21	507
23 Manu.of coke refined petroleum products and nuclear fuel	-	-	-	-	2	2
24 Manu.of chemicals & chemical products	-	35	15	264	79	392
25 Manu.of rubber & plastic products	-	-	6	581	196	783
26 Manu. of other non metallic mineral products	-	65	419	2,303	49	2,836
27 Manu.of basic metals	-	-	2	67	23	91
28 Manu.of fabricated metal products except machinery equip	-	1	112	622	9	744
29 Manu.of Machinery & equipments (n.e.c.)	-	-	2	77	24	104
30 Manu.of office, accounting and computing machinery	-	-	-	3	3	6
31 Manu.of Electrical machinery and apparatus n.e.c.	-	-	-	34	26	61
32 Manu.of Radio, TV & communication equipment and apparatus	-	-	-	30	6	36
33 Manu.of medical, precision & optical instruments, watches	-	-	-	4	-	4
34 Manu.of motor vehicles, trailers and semi-trailers	-	-	2	49	2	53
35 Manu.of other transport equipment	-	-	-	38	13	52
36 Manu.of furniture, Manufacturing of n.e.c.	5	17	179	448	63	711
37 Recycling	-	-	-	7	3	10
40 Electricity, Gas, Steam and Hot water supply	-	1	-	17	8	26
41 Collection, purification and distribution of water	2	3	3	14	4	25
Total	97	540	2,638	13,143	1,651	18,069

**Table 12 : Establishments classified by value added size class & industry division - 2007
(Establishments with 5 or more persons engaged)**

Industry division	Size class - value added (Rs.)					Total
	less than 100,000	100,000 - 249,999	250,000 - 999,999	1,000,000 - 99,999,999	100,000,000 & above	
14 Other Mining and Quarrying	-	52	411	897	7	1,366
15 Manu.of food products and beverages	24	-	1,043	3,141	262	4,471
16 Manu.of tobacco products	2	-	50	74	3	129
17 Manu.of Textiles	130	161	952	813	126	2,181
18 Manu.of wearing Apparel, dressing & dyeing of fur	2	235	679	897	250	2,063
19 Tanning and dressing of leather; manu. of luggage, hand	-	-	96	74	13	183
20 Manu.of wood & products of wood & cork except furniture	-	22	407	646	1	1,076
21 Manu.of paper and paper products	1	-	4	144	10	159
22 Publishing, printing and reproduction of recorded media	-	1	90	398	18	507
23 Manu.of coke refined petroleum products and nuclear fuel	-	-	-	-	2	2
24 Manu.of chemicals & chemical products	36	3	21	260	73	392
25 Manu.of rubber & plastic products	-	6	11	694	72	783
26 Manu. of other non metallic mineral products	54	100	1,053	1,587	41	2,836
27 Manu.of basic metals	-	1	11	65	15	91
28 Manu.of fabricated metal products except machinery equip	5	1	349	384	5	744
29 Manu.of Machinery & equipments (n.e.c.)	-	-	11	85	8	104
30 Manu.of office, accounting and computing machinery	-	-	-	3	3	6
31 Manu.of Electrical machinery and apparatus n.e.c.	-	-	1	37	23	61
32 Manu.of Radio, TV & communication equipment and apparatus	-	-	22	11	3	36
33 Manu.of medical, precision & optical instruments, watches	-	-	-	4	-	4
34 Manu.of motor vehicles, trailers and semi-trailers	-	1	10	42	1	53
35 Manu.of other transport equipment	-	-	-	43	9	52
36 Manu.of furniture, Manufacturing of n.e.c.	5	27	209	444	26	711
37 Recycling	-	-	1	7	2	10
40 Electricity, Gas, Steam and Hot water supply	-	1	-	17	8	26
41 Collection, purification and distribution of water	6	-	4	14	2	25
Total	263	610	5,434	10,780	982	18,069

**Table 13 : Establishments classified by size class of gross fixed capital formation & industry division - 2007
(Establishments with 5 or more persons engaged)**

Industry division	Size class - gross additions to fixed assets (Rs.)					Total
	less than 25,000	25,000 - 99,999	100,000 - 249,999	250,000 - 999,999	1,000,000 & above	
14 Other Mining and Quarrying	1,116	18	48	166	19	1,366
15 Manu.of food products and beverages	3,289	211	216	218	537	4,471
16 Manu.of tobacco products	105	5	-	-	19	129
17 Manu.of Textiles	1,839	60	-	75	207	2,181
18 Manu.of wearing Apparel, dressing & dyeing of fur	1,545	53	83	30	352	2,063
19 Tanning and dressing of leather; manu. of luggage, hand	143	3	13	13	12	183
20 Manu.of wood & products of wood & cork except furniture	851	62	70	61	32	1,076
21 Manu.of paper and paper products	44	3	13	3	97	159
22 Publishing, printing and reproduction of recorded media	407	18	8	8	65	507
23 Manu.of coke refined petroleum products and nuclear fuel	-	-	-	-	2	2
24 Manu.of chemicals & chemical products	194	63	1	6	128	392
25 Manu.of rubber & plastic products	285	35	37	138	288	783
26 Manu. of other non metallic mineral products	2,058	154	100	76	448	2,836
27 Manu.of basic metals	59	-	-	2	30	91
28 Manu.of fabricated metal products except machinery equip	479	90	40	87	49	744
29 Manu.of Machinery & equipments (n.e.c.)	42	-	-	3	59	104
30 Manu.of office, accounting and computing machinery	1	-	-	4	1	6
31 Manu.of Electrical machinery and apparatus n.e.c.	29	11	-	4	16	61
32 Manu.of Radio, TV & communication equipment and apparatus	23	2	1	4	6	36
33 Manu.of medical, precision & optical instruments, watches	1	-	3	-	-	4
34 Manu.of motor vehicles, trailers and semi-trailers	41	2	3	2	6	53
35 Manu.of other transport equipment	12	13	-	-	26	52
36 Manu.of furniture, Manufacturing of n.e.c.	454	9	51	83	116	711
37 Recycling	7	1	-	-	2	10
40 Electricity, Gas, Steam and Hot water supply	11	-	-	-	15	26
41 Collection, purification and distribution of water	19	3	-	1	3	25
Total	13,054	812	686	983	2,534	18,069

**Table 14 : Establishments classified by size class of assets at beginning of the year & industry division - 2007
(Establishments with 5 or more persons engaged)**

Industry division	Size class - assets at beginning of the year (Rs.)					Total
	less than 25,000	25,000 - 99,999	100,000 - 249,999	250,000 - 999,999	1,000,000 & above	
14 Other Mining and Quarrying	540	16	9	335	467	1,366
15 Manu.of food products and beverages	1,055	73	16	445	2,882	4,471
16 Manu.of tobacco products	15	3	-	35	76	129
17 Manu.of Textiles	651	-	53	390	1,086	2,181
18 Manu.of wearing Apparel, dressing & dyeing of fur	466	-	155	238	1,205	2,063
19 Tanning and dressing of leather; manu. of luggage, hand	74	12	2	30	65	183
20 Manu.of wood & products of wood & cork except furniture	73	43	-	308	652	1,076
21 Manu.of paper and paper products	9	-	4	3	144	159
22 Publishing, printing and reproduction of recorded media	90	-	-	94	323	507
23 Manu.of coke refined petroleum products and nuclear fuel	-	-	-	-	2	2
24 Manu.of chemicals & chemical products	55	36	3	7	291	392
25 Manu.of rubber & plastic products	137	2	-	67	577	783
26 Manu. of other non metallic mineral products	534	118	123	548	1,513	2,836
27 Manu.of basic metals	9	-	-	10	73	91
28 Manu.of fabricated metal products except machinery equip	5	22	62	110	547	744
29 Manu.of Machinery & equipments (n.e.c.)	-	-	-	3	100	104
30 Manu.of office, accounting and computing machinery	1	-	-	-	5	6
31 Manu.of Electrical machinery and apparatus n.e.c.	-	-	-	2	59	61
32 Manu.of Radio, TV & communication equipment and apparatus	2	-	-	18	16	36
33 Manu.of medical, precision & optical instruments, watches	-	-	-	-	4	4
34 Manu.of motor vehicles, trailers and semi-trailers	4	-	4	2	43	53
35 Manu.of other transport equipment	1	-	-	1	50	52
36 Manu.of furniture, Manufacturing of n.e.c.	102	2	46	118	444	711
37 Recycling	-	-	-	-	10	10
40 Electricity, Gas, Steam and Hot water supply	6	-	-	-	20	26
41 Collection, purification and distribution of water	7	-	-	6	13	25
Total	3,833	326	476	2,767	10,667	18,069

**Table 15 : Value of output & output components classified by industry - 2007
(Establishments with 5 or more persons engaged)**

Type of industry		Value of output (Rs.)	Products shipped (Rs)	Industrial services (Rs)	Changes in stocks (Rs)
141 Quarrying of stone Clay and Sand	Group Total	3,994,501,245	3,927,891,420	99,590,400	-32,980,575
	1411 Quarrying of stone Clay and Sand	256,568,400	157,748,000	99,590,400	-770,000
	1412 Braking of Granite	1,881,888,325	1,873,056,800	-	8,831,525
	1413 Quarrying of Sand & Gravel	1,675,400,120	1,716,942,620	-	-41,542,500
	1414 Quarrying Of Limestone	180,644,400	180,144,000	-	500,400
142 Mining and Quarrying n.e.c	Group Total	4,778,976,349	4,819,826,114	-	-40,849,765
	1421 Mining of chemical and Fertilizer minerals	232,046,000	230,596,000	-	1,450,000
	1422 Extraction of salt	2,479,635,990	2,552,512,500	-	-72,876,510
	1423 Mining of precious and semi precious stones	1,595,066,667	1,595,066,667	-	-
	1429 Other Mining & Quarrying N.e.c	472,227,692	441,650,947	-	30,576,745
151 Produ., proce. & preserving of meat, fish,fruit, vegeta	Group Total	22,250,619,568	21,942,356,395	9,514,286	298,748,887
	1511 Processing and Preserving of Meat and Meat Product	6,413,206,435	6,408,503,460	-	4,702,975
	1512 Processing and Preserving of fish and fish Products	7,978,548,322	8,061,930,944	-	-83,382,622
	1513 Processing & Preserving of fruits & Vegetables	1,564,008,289	1,565,820,296	-	-1,812,008
	1514 Manufacture of Vegetable oils animal oils & fats	6,294,856,522	5,906,101,694	9,514,286	379,240,542
152 Manufacture of Dairy Products	Group Total	49,263,612,524	49,283,632,030	2,915,582	-22,935,087
	1520 Manufacture of Dairy Products	49,263,612,524	49,283,632,030	2,915,582	-22,935,087
153 Manu.of grain mill products and prepared animal feeds	Group Total	91,266,878,185	90,668,320,581	83,843,224	514,714,379
	1531 Manufacture of Grain Mill Products	85,772,838,185	85,179,522,581	83,843,224	509,472,379
	1533 Preparation of Animal food from milling waist	5,494,040,000	5,488,798,000	-	5,242,000
154 Manu.of other food products	Group Total	244,990,391,575	244,443,837,961	1,188,505,313	-641,951,699
	1541 Manufacture of bakery products	31,160,004,258	31,008,744,998	7,715,438	143,543,822
	1542 Manufacture of Cane sugar and molasses	2,641,866,300	2,641,041,300	825,000	-
	1543 Manu.of cocoa, chocolate and sugar confectionary	6,927,052,752	6,922,350,643	-	4,702,109
	1544 Manu.of macaroni, noodles couscous and similar farinac	3,844,588,115	3,831,742,957	-	12,845,158
	1545 Manu.of Coffee & Soya Products for drinking	1,364,207,016	1,361,248,575	-	2,958,441
	1546 Manu.of tea and tea products	194,949,662,950	195,054,372,297	715,898,542	-820,607,888
	1547 Manu.of chilly-power, condiments powder, proce.of spic	3,591,487,185	3,112,814,191	464,066,333	14,606,660
	1549 Manu.of other food products n.e.c	511,523,000	511,523,000	-	-

(cont.)

**Table 15 : Value of output & output components classified by industry - 2007
(Establishments with 5 or more persons engaged)**

Type of industry		Value of output (Rs.)	Products shipped (Rs)	Industrial services (Rs)	Changes in stocks (Rs)
155 Manu.of beverages	Group Total	22,543,406,873	22,464,192,758	-	79,214,115
	1551 Manufacture of beverages	7,998,631,098	8,041,056,685	-	-42,425,587
	1552 Manu.of wine, bottled toddy and similar products	8,124,944	8,124,944	-	-
	1553 Manu.of all other beverages such as beer and stout	9,045,075,812	8,948,836,092	-	96,239,720
	1554 Manu.of beverages such as soft drinks, soda etc	5,491,575,019	5,466,175,037	-	25,399,982
160 Manu.of tobacco products	Group Total	36,961,246,985	36,187,923,774	665,753,498	107,569,713
	1601 Manu.of tabacco products	672,403,198	9,069,700	663,333,498	-
	1602 Manu.of Cigarette, Cigar & Beedi	35,085,880,724	34,958,755,279	2,420,000	124,705,445
	1609 Tobacco based products	1,202,963,063	1,220,098,795	-	-17,135,732
171 Spinning, weaving and finishing of Textiles	Group Total	29,061,234,532	28,650,526,109	426,425,234	-15,716,811
	1711 Prepa. & spinning of Textiles fibres, weaving of texti	13,575,152,126	13,374,590,799	128,489,546	72,071,782
	1712 Finishing of Textiles	15,486,082,406	15,275,935,311	297,935,688	-87,788,593
172 Manu.of other Textiles	Group Total	18,048,578,891	18,418,421,097	139,646,912	-509,489,118
	1721 Manu.of made-up textile article, except apparel	7,784,631,391	8,291,021,393	-	-506,390,002
	1722 Manu.of carpets and rugs	228,432,428	231,182,572	-	-2,750,144
	1723 Manu.of Cordage, Rope, twine & netting	8,093,104,993	8,072,425,716	21,158,400	-479,123
	1724 Manufacture of Sanitary Towels & Pampers	229,810,575	228,757,575	-	1,053,000
	1726 Manu. of Laces and embroidered cloths	383,645,967	267,264,632	118,488,512	-2,107,178
	1727 Manu. of Labels, badges (cloth based)	1,294,636,538	1,293,452,209	-	1,184,329
	1729 Cloth and coir based other products	34,317,000	34,317,000	-	-
173 Manu.of knitted and crocheted fabrics and articles	Group Total	562,376,078,671	571,851,289,821	74,538,810	-9,549,749,960
	1731 Manufacture of knitted Garments	541,451,914,420	550,908,851,673	74,538,810	-9,531,476,062
	1732 Manufacture of knitted socks, purses and Hand glouses	8,175,955,486	8,180,708,232	-	-4,752,745
	1733 Manufacture of Knitted Lace	1,761,903,923	1,757,508,711	-	4,395,212
	1739 Elastomeric Yarn & other rubber thread based products	10,986,304,840	11,004,221,206	-	-17,916,365
181 Manu.of weaving Apparel except fur apparels	Group Total	354,173,839,569	341,712,830,051	11,079,099,684	1,381,909,833
	1810 Manufacture of weaving Apparel, except fur apparels	354,173,839,569	341,712,830,051	11,079,099,684	1,381,909,833
191 Tanning & dressing of leather; manu. of luggage, Hand b	Group Total	802,286,900	812,172,767	3,731,000	-13,616,867
	1912 Manu.of luggage, hand bags	110,241,800	106,297,000	3,731,000	213,800
	1913 Manu. of Bags & rain coats, artificial leather product	692,045,100	705,875,767	-	-13,830,667

(cont.)

Table 15 : Value of output & output components classified by industry - 2007
(Establishments with 5 or more persons engaged)

Type of industry		Value of output (Rs.)	Products shipped (Rs)	Industrial services (Rs)	Changes in stocks (Rs)
192 Manu.of footwear	Group Total	7,642,010,052	7,594,347,414	5,715,000	41,947,638
	1920 Manufacturing of footwear	7,642,010,052	7,594,347,414	5,715,000	41,947,638
201 Saw-milling and planning of wood	Group Total	2,488,148,958	2,062,736,803	410,565,333	14,846,821
	2010 Saw-milling and planning of wood	2,488,148,958	2,062,736,803	410,565,333	14,846,821
202 Manu.of produ. of wood, cork, straw & plaiting material	Group Total	1,851,982,749	1,799,985,809	66,205,675	-14,208,736
	2021 Manu.of veneer sheets, plywood, lamin board, particle	733,324,417	760,118,746	108,000	-26,902,329
	2022 Manufacture of builders carpentry and joinery	160,167,600	150,085,500	10,566,000	-483,900
	2024 Manu.of produ. by cork barks, wood utencils from reed,	9,080,118	8,270,069	-	810,049
	2025 Manu.of Household utencils of other wooden article and	702,458,722	698,224,794	-	4,233,928
	2028 Manu.of other office equipment & wood articles	246,951,892	183,286,700	55,531,675	8,133,516
210 Manu.of paper and paper products	Group Total	31,762,915,238	31,798,723,987	9,854,744	-45,663,492
	2101 Manufacture of pulp, paper and paperboards	759,474,323	762,998,174	10,150	-3,534,001
	2102 Manu.of corrugated paper & paperboard & containers of	9,620,700,798	9,662,028,744	7,980,893	-49,308,838
	2103 Manufacture of cards, files, books and pads	309,202,934	308,181,624	33,000	988,310
	2104 Manu.of toys, plates, cups, spoons, knives & ornaments	1,830,701	-	1,830,701	-
	2109 Manu.of pulp paper and paper boards articles n.e.c	21,071,706,482	21,065,515,445	-	6,191,037
221 Publishing, printing and reproduction of recorded media	Group Total	56,815,798	55,857,399	-	958,399
	2211 Publishing of books, brochures, musical books	56,815,798	55,857,399	-	958,399
222 Printing & service activities related to printing for o	Group Total	25,271,564,292	24,238,358,153	974,826,855	58,379,284
	2221 Printing of newspapers, journals & periodicals for oth	23,331,333,682	23,106,629,054	166,325,344	58,379,284
	2222 Service activities related to printing	1,940,230,610	1,131,729,099	808,501,511	-
232 Manu.of refined petroleum products	Group Total	125,920,356,397	118,018,596,502	-	7,901,759,895
	2320 Manu.of refined petroleum products	125,920,356,397	118,018,596,502	-	7,901,759,895
241 Manu.of basic chemicals	Group Total	25,887,389,284	25,936,841,084	65,057	-49,516,857
	2412 Manu.of fertilizer & nitrogen compounds	12,559,112	12,982,952	-	-423,840
	2413 Manu.of plastic in primary forms and synthetic rubber	1,543,455,294	1,550,935,294	-	-7,480,000
	2414 Manu.of Natural carbonic fertilizers	24,331,374,878	24,372,922,838	65,057	-41,613,017

(cont.)

Table 15 : Value of output & output components classified by industry - 2007
(Establishments with 5 or more persons engaged)

Type of industry		Value of output (Rs.)	Products shipped (Rs)	Industrial services (Rs)	Changes in stocks (Rs)
242 Manu.of other chemical products	Group Total	49,893,512,591	48,340,350,758	240,670,008	1,312,491,826
	2421 Manu.of pesticides and other agro-chemical products	23,686,024,416	22,396,289,115	-	1,289,735,301
	2422 Manu.of paints, varnishes & similar coatings, printing	7,092,199,787	7,112,492,218	-	-20,292,431
	2423 Manu.of pharmaceuticals, medicinal chemicals & botanica	15,052,345,443	14,703,297,110	237,773,640	111,274,693
	2424 Manu.of soap & detergent, cleaning, perfumies & toilet	2,129,724,716	2,096,316,818	-	33,407,898
	2425 Manu.of explosives, crackers and other firework	117,720,000	117,720,000	-	-
	2426 Manu.of mosquito-coils, camphor, naphthaline balls, inc	141,138,556	141,945,306	-	-806,750
	2427 Manu.of processed salt (for food)	459,069,248	523,495,834	-	-64,426,586
	2428 Manu.of chemicals and activated carbon	1,163,090,426	1,196,594,357	2,896,368	-36,400,299
	2429 Manu.of other chemical products n.e.c	52,200,000	52,200,000	-	-
251 Manu.of rubber products	Group Total	95,991,631,807	93,885,264,683	-	2,106,367,125
	2511 Manu.of rubber tyres and tubes, rebuilding of rubber t	41,644,147,226	41,328,129,017	-	316,018,209
	2512 Manu.of rubber condoms, rubber gloves	6,691,239,592	6,796,863,542	-	-105,623,950
	2513 Manu.of product from natural rubber	23,049,997,803	21,399,078,756	-	1,650,919,047
	2514 Manu.of article of rubber	16,127,101,361	16,268,306,844	-	-141,205,483
	2519 Manu.of rubber products (not classified elsewhere)	8,479,145,825	8,092,886,524	-	386,259,301
252 Manu.of plastic products	Group Total	37,276,766,458	37,053,108,643	67,941,176	155,716,639
	2520 Manu.of plastic products	37,276,766,458	37,053,108,643	67,941,176	155,716,639
269 Manu.of Non metallic mineral products(Not elsewhere cla	Group Total	56,488,250,191	56,110,705,534	24,911,500	352,633,157
	2691 Manu.of non-structural non-refractory ceramic ware	6,051,954,683	6,096,435,678	130,000	-44,610,996
	2693 Manu.of structural non refractory clay & ceramic produ	10,354,022,394	10,184,067,591	3,031,500	166,923,304
	2694 Manu.of cement lime, and plaster	12,306,755,279	12,349,651,464	-	-42,896,186
	2695 Manu.of articles of concrete, cement & plaster	21,333,401,399	21,155,486,697	-	177,914,702
	2696 Cutting, shaping & finishing of rough stones	6,139,589,325	6,024,550,733	21,750,000	93,288,592
	2697 Refining of Ilmanite, surcon & refining of plumbago	24,375,000	25,000,000	-	-625,000
	2699 Manu.of other non-metalic mineral products n.e.c	278,152,111	275,513,370	-	2,638,741
271 Manu.of basic iron & steel	Group Total	2,500,000,000	2,500,000,000	-	-
	2710 Manu.of basic iron & steel	2,500,000,000	2,500,000,000	-	-
272 Manu.of basic precious & non-ferrous metal	Group Total	1,386,194,014	1,387,934,014	-	-1,740,000
	2720 Manu.of basic precious & non-ferrous metal	1,386,194,014	1,387,934,014	-	-1,740,000

(cont.)

**Table 15 : Value of output & output components classified by industry - 2007
(Establishments with 5 or more persons engaged)**

Type of industry		Value of output (Rs.)	Products shipped (Rs)	Industrial services (Rs)	Changes in stocks (Rs)
273 Casting of metals	Group Total	16,030,950,773	16,021,898,256	105,009,522	-95,957,006
	2731 Casting of iron & steel	3,209,160,700	3,109,468,130	97,023,956	2,668,614
	2732 Casting of Non ferrous metals	12,821,790,073	12,912,430,126	7,985,567	-98,625,620
281 Manu.of structural metal products, tanks, reservoirs &	Group Total	1,395,813,166	997,743,088	405,487,032	-7,416,954
	2811 Manu.of structural metal products	371,398,133	364,822,917	14,182,467	-7,607,250
	2812 Manu.of tanks, reservoirs & containers of metal except	1,024,415,033	632,920,171	391,304,566	190,296
289 Manu.of other fabricated metal products	Group Total	8,777,878,085	7,847,913,141	831,104,386	98,860,558
	2892 Treatment & coating of metal general mechanical engine	1,299,690,280	812,358,375	487,088,571	243,333
	2893 Manu.of cutlery, hand tools & general hardware	1,521,438,623	1,530,699,945	8,610,000	-17,871,322
	2894 Manu.of other brass articles	242,877,250	236,313,000	-	6,564,250
	2895 Manu.of non threaded metal products	846,780,092	795,117,285	-	51,662,807
	2896 Manu.of Metal cooking utensils, household appliances &	69,706,505	70,033,333	-	-326,828
	2897 Manu.of Metal cables and similar articles	4,000,000	4,000,000	-	-
	2898 Manu.of Containers used for the packing or conveyance	1,063,031,085	1,008,100,667	-	54,930,419
	2899 Manu.of other fabricated metal products	3,730,354,250	3,391,290,535	335,405,815	3,657,900
	291 Manu.of general purpose machinery	Group Total	2,208,969,254	2,074,797,830	135,241,667
2911 Manu.of engine and turbines, except aircraft, vehicle		97,416,667	-	97,416,667	-
2912 Manu.of pumps, compressors, taps and valves		2,064,044,254	2,067,464,497	450,000	-3,870,242
2919 Manu.of other general purpose machinery		47,508,333	7,333,333	37,375,000	2,800,000
292 Manu.of special purpose machinery	Group Total	6,667,118,212	6,330,851,000	197,878,895	138,388,317
	2921 Manu.of agricultural & forestry machinery	4,997,888,921	4,668,349,850	193,526,145	136,012,926
	2925 Manu.of machinery for Food, beverage & tobacco proce.	14,502,263	10,149,513	4,352,750	-
	2926 Manu.of machinery for textile, apparel & leather produ	779,307,577	782,167,072	-	-2,859,495
	2929 Manu.of other special purpose machinery (Not elsewhere	875,419,452	870,184,566	-	5,234,886
293 Manu.of domestic appliance n.e.c.	Group Total	4,594,764,013	4,585,351,801	864,000	8,548,211
	2930 Manu.of domestic appliance n.e.c.	4,594,764,013	4,585,351,801	864,000	8,548,211
300 Manu.of office, accounting and computing machinery	Group Total	6,136,094,411	6,143,900,257	2,840,604	-10,646,450
	3000 Manu.of office, accounting and computing machinery	6,136,094,411	6,143,900,257	2,840,604	-10,646,450
311 Manu.of electronic motors, generators and transformers	Group Total	7,226,861,351	7,295,941,739	34,012,660	-103,093,047
	3110 Manu.of electric motors, generators and transformers	7,226,861,351	7,295,941,739	34,012,660	-103,093,047

(cont.)

**Table 15 : Value of output & output components classified by industry - 2007
(Establishments with 5 or more persons engaged)**

Type of industry		Value of output (Rs.)	Products shipped (Rs)	Industrial services (Rs)	Changes in stocks (Rs)
312 Manu.of electricity distribution and control apparatus	Group Total	4,589,137,545	4,602,440,927	-	-13,303,381
	3120 Manu.of electricity distribution and control apparatus	4,589,137,545	4,602,440,927	-	-13,303,381
313 Manu.of insulated wire and cables	Group Total	27,179,139,233	26,594,643,960	-	584,495,273
	3130 Manu.of insulated wire and cables	27,179,139,233	26,594,643,960	-	584,495,273
314 Manu.of accumulators primary cells and primary batterie	Group Total	4,372,299,459	4,347,303,800	-	24,995,659
	3140 Manu.of accumulators primary cells and primary batterie	4,372,299,459	4,347,303,800	-	24,995,659
315 Manu.of electric lamps and lighting equipments	Group Total	348,932,220	348,932,220	-	-
	3150 Manu.of electric lamps and lighting equipments	348,932,220	348,932,220	-	-
319 Manu.of other electrical equipments n.e.c.	Group Total	1,500,000	1,500,000	-	-
	3190 Manu.of other electrical equipments n.e.c	1,500,000	1,500,000	-	-
321 Manu.of electronic valves, tubes & other	Group Total	2,454,915,484	2,450,162,884	-	4,752,600
	3210 Manu.of electronic valves, tubes & other	2,454,915,484	2,450,162,884	-	4,752,600
322 Manu.of TV & Radio transmitters	Group Total	26,641,190	3,838,860	23,064,080	-261,750
	3220 Manu.of TV & radio transmitters & apparatus for line t	26,641,190	3,838,860	23,064,080	-261,750
323 Manu.of TV & Radio receivers, sound or vedio recording	Group Total	424,664,168	421,926,678	-	2,737,490
	3230 Manu.of TV & radio receivers sound or video recording	424,664,168	421,926,678	-	2,737,490
331 Manu.of medical appliances & instruments & appliances f	Group Total	26,693,397	25,688,157	-	1,005,240
	3313 Manu.of industrial process control equipments	26,693,397	25,688,157	-	1,005,240
332 Manu.of optical instruments and photographic equipments	Group Total	6,478,550	5,574,725	-	903,825
	3320 Manu.of optical instruments and photographic equipment	6,478,550	5,574,725	-	903,825
341 Manu.of motor vehicles	Group Total	200,255,291	155,655,500	36,685,816	7,913,975
	3410 Manu.of motor vehicles	200,255,291	155,655,500	36,685,816	7,913,975
342 Manu.of bodies for Motor vehicles, Manu. of trailers &	Group Total	94,439,098	57,781,092	36,817,406	-159,400
	3420 Manu.of bodies for Motor vehicles, Manu. of trailers &	94,439,098	57,781,092	36,817,406	-159,400
343 Manu.of spare parts and accessories for motor vehicles	Group Total	1,514,001,216	1,446,539,698	99,032,565	-31,571,047
	3430 Manu.of spare parts and accessories for motor vehicles	1,514,001,216	1,446,539,698	99,032,565	-31,571,047
351 Building and repairing of ships and boats	Group Total	12,834,184,119	12,602,919,992	196,034,616	35,229,511
	3511 Building and repairing of ships	10,148,866,032	9,941,561,931	196,034,616	11,269,485
	3512 Building and repairing of pleasure & sporting boats	2,685,318,087	2,661,358,062	-	23,960,026
352 Manu.of railway and tramway locomatives and rolling sto	Group Total	26,124,000	-	26,124,000	-
	3520 Manu.of railway & tramway locomatives & rolling stock	26,124,000	-	26,124,000	-

(cont.)

**Table 15 : Value of output & output components classified by industry - 2007
(Establishments with 5 or more persons engaged)**

Type of industry		Value of output (Rs.)	Products shipped (Rs)	Industrial services (Rs)	Changes in stocks (Rs)
359 Manu.of transport equipment n.e. c.	Group Total	9,953,496,658	9,859,371,236	90,080,300	4,045,122
	3591 Manu.of motorcycles & motor tricycle (three wheelers)	108,530,627	18,208,077	90,080,300	242,250
	3592 Manu.of bicycles & invalid carriages	9,812,566,031	9,808,763,159	-	3,802,872
	3593 Manu.of other transport equipment	32,400,000	32,400,000	-	-
361 Manu.of furniture	Group Total	14,233,210,405	14,542,645,433	211,532,959	-520,967,987
	3610 Manu.of furniture	14,233,210,405	14,542,645,433	211,532,959	-520,967,987
369 Manu.of other product not elsewhere classified	Group Total	18,422,045,604	18,129,603,772	456,081,856	-163,640,024
	3691 Manu.of jewellery and related articles	4,751,321,938	4,786,525,503	61,855,285	-97,058,851
	3693 Manu.of sports goods	455,765,123	450,327,635	-	5,437,488
	3694 Manu.of toys & games	3,794,537,544	3,783,841,931	7,496,930	3,198,683
	3699 Other manufacturing not elsewhere classified	9,420,421,000	9,108,908,703	386,729,641	-75,217,344
372 Recycling of non-metal waste and scrap	Group Total	914,150,675	909,476,480	1,300,000	3,374,195
	3720 Recycling of non-metal waste and scrap	914,150,675	909,476,480	1,300,000	3,374,195
401 Production, collection & distribution of electricity	Group Total	104,670,547,633	104,670,547,633	-	-
	4010 Production, collection & distribution of electricity	104,670,547,633	104,670,547,633	-	-
402 Manu.of gas	Group Total	7,965,154,185	7,965,154,185	-	-
	4020 Manu.of gas	7,965,154,185	7,965,154,185	-	-
410 Collection, purification and distribution of water	Group Total	7,837,779,298	7,830,902,836	6,876,087	375
	4100 Collection, purification and distribution of water	7,837,779,298	7,830,902,836	6,876,087	375
Total		2,176,063,428,390	2,154,237,038,842	18,470,387,743	3,356,001,806

**Table 16 : Value of input & input components classified by industry - 2007
(Establishments with 5 or more persons engaged)**

Type of industry		Value of input (Rs.)	Raw materials consumed (imported) (Rs.)	Raw materials consumed (local) (Rs.)	Cost of industrial services done by others (Rs.)	Electricity & Fuel consumed (Rs.)
141 Quarrying of stone Clay and Sand	Group Total	1,100,028,819	168,864,040	563,955,070	42,261,180	324,948,529
	1411 Quarrying of stone Clay and Sand	46,029,784	-	20,010,350	4,280,000	21,739,434
	1412 Braking of Granite	653,324,510	168,864,040	172,081,070	37,981,180	274,398,220
	1413 Quarrying of Sand & Gravel	390,666,525	-	363,523,650	-	27,142,875
	1414 Quarrying Of Limestone	10,008,000	-	8,340,000	-	1,668,000
142 Mining and Quarrying n.e.c	Group Total	1,091,541,507	139,501,219	728,801,195	25,249,635	197,989,458
	1421 Mining of chemical and Fertilizer minerals	122,197,000	-	103,764,000	-	18,433,000
	1422 Extraction of salt	255,703,639	102,300,000	91,515,128	5,280,000	56,608,511
	1423 Mining of precious and semi precious stones	534,009,600	-	455,279,667	1,560,000	77,169,933
	1429 Other Mining & Quarrying N.e.c	179,631,268	37,201,219	78,242,400	18,409,635	45,778,014
151 Produ., proce. & preserving of meat, fish,fruit, vegeta	Group Total	14,862,927,808	3,018,001,897	11,221,995,764	15,834,784	607,095,363
	1511 Processing and Preserving of Meat and Meat Product	4,242,129,532	1,365,586,000	2,660,139,454	-	216,404,078
	1512 Processing and Preserving of fish and fish Products	5,402,487,086	1,095,338,000	4,239,499,962	3,996,656	63,652,468
	1513 Processing & Preserving of fruits & Vegetables	738,242,638	358,444,491	293,457,845	100,000	86,240,303
	1514 Manufacture of Vegetable oils animal oils & fats	4,480,068,551	198,633,406	4,028,898,503	11,738,128	240,798,514
152 Manufacture of Dairy Products	Group Total	37,082,871,064	31,836,633,948	4,458,370,394	29,511,435	758,355,286
	1520 Manufacture of Dairy Products	37,082,871,064	31,836,633,948	4,458,370,394	29,511,435	758,355,286
153 Manu.of grain mill products and prepared animal feeds	Group Total	68,452,172,703	47,295,110,616	19,385,635,553	108,523,939	1,662,902,596
	1531 Manufacture of Grain Mill Products	66,163,453,743	46,016,216,616	18,502,781,553	108,523,939	1,535,931,636
	1533 Preparation of Animal food from milling waist	2,288,718,960	1,278,894,000	882,854,000	-	126,970,960
154 Manu.of other food products	Group Total	116,375,542,862	14,727,862,095	91,471,031,560	555,382,537	9,621,266,670
	1541 Manufacture of bakery products	15,510,981,589	4,169,174,031	9,011,743,984	7,879,972	2,322,183,602
	1542 Manufacture of Cane sugar and molasses	1,724,283,587	893,772,388	325,039,540	799,000	504,672,659
	1543 Manu.of cocoa, chocolate and sugar confectionary	4,007,199,177	1,798,819,205	1,969,494,025	16,498,324	222,387,622
	1544 Manu.of macaroni, noodles couscous and similar farinac	2,620,060,777	430,743,880	2,046,321,438	1,888,333	141,107,125
	1545 Manu.of Coffee & Soya Products for drinking	727,245,011	55,074,706	558,204,007	-	113,966,298
	1546 Manu.of tea and tea products	90,117,298,145	7,317,822,488	76,025,911,800	525,027,593	6,248,536,263
	1547 Manu.of chilly-power, condiments powder, proce.of spic	1,362,782,417	62,455,397	1,247,966,806	3,289,314	49,070,900
	1549 Manu.of other food products n.e.c	305,692,160	-	286,349,960	-	19,342,200
	155 Manu.of beverages	Group Total	5,038,247,449	1,484,570,799	2,187,109,235	29,801,120
1551 Manufacture of beverages		1,742,755,632	738,832	1,719,062,033	163,028	22,791,737
1552 Manu.of wine, bottled toddy and similar products		4,424,590	-	4,225,620	-	198,970
1553 Manu.of all other beverages such as beer and stout		1,335,258,770	1,027,353,960	-	-	307,904,810
1554 Manu.of beverages such as soft drinks, soda etc		1,955,808,458	456,478,007	463,821,582	29,638,092	1,005,870,777

(cont.)

**Table 16 : Value of input & input components classified by industry - 2007
(Establishments with 5 or more persons engaged)**

Type of industry		Value of input (Rs.)	Raw materials consumed (imported) (Rs.)	Raw materials consumed (local) (Rs.)	Cost of industrial services done by others (Rs.)	Electricity & Fuel consumed (Rs.)
160 Manu.of tobacco products	Group Total	3,291,266,358	1,243,752,428	1,832,996,943	44,318,298	170,198,689
	1601 Manu.of tabacco products	122,553,988	73,371,035	16,633,715	-	32,549,238
	1602 Manu.of Cigarette, Cigar & Beedi	2,530,322,156	1,132,432,454	1,266,282,528	44,318,298	87,288,876
	1609 Tobacco based products	638,390,214	37,948,939	550,080,700	-	50,360,575
171 Spinning, weaving and finishing of Textiles	Group Total	20,930,981,916	15,501,858,499	2,565,324,496	252,456,021	2,611,342,900
	1711 Prepa. & spinning of Textiles fibres, weaving of texti	9,766,430,471	7,052,427,903	1,133,179,950	226,264,246	1,354,558,371
	1712 Finishing of Textiles	11,164,551,446	8,449,430,595	1,432,144,546	26,191,775	1,256,784,529
172 Manu.of other Textiles	Group Total	11,064,207,687	3,406,167,178	6,620,265,220	669,500	1,037,105,788
	1721 Manu.of made-up textile article, except apparel	4,403,720,496	2,485,982,738	1,312,121,800	91,000	605,524,957
	1722 Manu.of carpets and rugs	140,341,809	20,718,110	112,644,403	-	6,979,296
	1723 Manu.of Cordage, Rope, twine & netting	5,670,596,483	264,882,194	5,055,745,505	436,000	349,532,785
	1724 Manufacture of Sanitary Towels & Pampers	145,490,200	135,840,700	-	142,500	9,507,000
	1726 Manu. of Laces and embroidered cloths	163,930,101	2,332,989	138,902,762	-	22,694,349
	1727 Manu. of Labels, badges (cloth based)	538,876,048	496,410,447	-	-	42,465,602
	1729 Cloth and coir based other products	1,252,550	-	850,750	-	401,800
173 Manu.of knitted and crocheted fabrics and articles	Group Total	389,130,941,831	325,311,536,188	2,603,208,503	-	61,216,197,141
	1731 Manufacture of knitted Garments	377,669,891,530	317,729,839,350	258,292,289	-	59,681,759,891
	1732 Manufacture of knitted socks, purses and Hand glouses	4,499,402,542	2,874,437,037	1,004,218,283	-	620,747,222
	1733 Manufacture of Knitted Lace	1,088,868,239	879,885,622	1,066,340	-	207,916,278
	1739 Elastomeric Yarn & other rubber thread based products	5,872,779,521	3,827,374,179	1,339,631,591	-	705,773,750
181 Manu.of weaving Apparel except fur apparels	Group Total	185,814,772,863	129,221,058,786	41,578,847,264	6,656,245,586	8,358,621,227
	1810 Manufacture of weaving Apparel, except fur apparels	185,814,772,863	129,221,058,786	41,578,847,264	6,656,245,586	8,358,621,227
191 Tanning & dressing of leather; manu. of luggage, Hand b	Group Total	526,356,088	439,523,740	76,351,031	765,000	9,716,317
	1912 Manu.of luggage, hand bags	57,452,600	9,100,000	45,246,200	765,000	2,341,400
	1913 Manu. of Bags & rain coats, artificial leather product	468,903,488	430,423,740	31,104,831	-	7,374,917
192 Manu.of footwear	Group Total	4,577,100,668	2,041,838,224	2,376,633,204	6,017,770	152,611,470
	1920 Manufacturing of footwear	4,577,100,668	2,041,838,224	2,376,633,204	6,017,770	152,611,470
201 Saw-milling and planning of wood	Group Total	1,244,743,970	4,666,667	1,048,175,541	15,298,050	176,603,712
	2010 Saw-milling and planning of wood	1,244,743,970	4,666,667	1,048,175,541	15,298,050	176,603,712
202 Manu.of produ. of wood, cork, straw & plaiting material	Group Total	965,108,594	188,572,645	608,530,684	30,462,531	137,542,734
	2021 Manu.of veneer sheets, plywood, lamin board, particle	401,994,754	148,835,579	160,007,919	6,423,531	86,727,725
	2022 Manufacture of builders carpentry and joinery	79,490,336	-	75,366,016	35,000	4,089,320
	2024 Manu.of produ. by cork barks, wood utencils from reed,	2,447,484	-	2,223,354	-	224,130
	2025 Manu.of Household utencils of other wooden article and	372,724,588	39,737,067	271,969,231	24,004,000	37,014,290
	2028 Manu.of other office equipment & wood articles	108,451,432	-	98,964,163	-	9,487,269

(cont.)

**Table 16 : Value of input & input components classified by industry - 2007
(Establishments with 5 or more persons engaged)**

Type of industry		Value of input (Rs.)	Raw materials consumed (imported) (Rs.)	Raw materials consumed (local) (Rs.)	Cost of industrial services done by others (Rs.)	Electricity & Fuel consumed (Rs.)
210 Manu.of paper and paper products	Group Total	24,503,881,145	19,161,036,882	4,460,661,205	39,406,413	842,776,646
	2101 Manufacture of pulp, paper and paperboards	469,965,847	166,267,403	92,818,448	8,812,970	202,067,026
	2102 Manu.of corrugated paper & paperboard & containers of	6,972,099,724	4,786,797,067	1,861,453,046	29,823,463	294,026,148
	2103 Manufacture of cards, files, books and pads	174,895,607	89,068,666	71,970,504	769,980	13,086,457
	2104 Manu.of toys, plates, cups, spoons, knives & ornaments	123,472	-	-	-	123,472
	2109 Manu.of pulp paper and paper boards articles n.e.c	16,886,796,496	14,118,903,747	2,434,419,207	-	333,473,543
221 Publishing, printing and reproduction of recorded media	Group Total	44,721,881	-	43,386,906	-	1,334,975
	2211 Publishing of books, brochures, musical books	44,721,881	-	43,386,906	-	1,334,975
222 Printing & service activities related to printing for o	Group Total	14,754,804,953	10,128,528,417	3,893,761,211	18,170,693	714,344,632
	2221 Printing of newspapers, journals & periodicals for oth	14,275,069,702	9,994,450,049	3,637,159,790	18,170,693	625,289,169
	2222 Service activities related to printing	479,735,251	134,078,368	256,601,420	-	89,055,463
232 Manu.of refined petroleum products	Group Total	113,622,157,840	113,004,626,468	458,690,884	36,096,083	122,744,405
	2320 Manu.of refined petroleum products	113,622,157,840	113,004,626,468	458,690,884	36,096,083	122,744,405
241 Manu.of basic chemicals	Group Total	13,161,701,297	11,943,066,029	1,149,534,251	-	69,101,017
	2412 Manu.of fertilizer & nitrogen compounds	3,441,778	-	1,573,230	-	1,868,548
	2413 Manu.of plastic in primary forms and synthetic rubber	931,099,529	798,020,235	85,411,765	-	47,667,529
	2414 Manu.of Natural carbonic fertilizers	12,227,159,990	11,145,045,794	1,062,549,256	-	19,564,940
242 Manu.of other chemical products	Group Total	32,240,961,007	24,706,106,584	6,518,292,504	260,015,719	756,546,200
	2421 Manu.of pesticides and other agro-chemical products	17,132,959,883	14,710,961,255	2,402,641,175	-	19,357,453
	2422 Manu.of paints, varnishes & similar coatings, printing	4,381,139,184	3,320,049,146	951,580,250	-	109,509,787
	2423 Manu.of pharmaceuticals, medicinal chemicals & botanica	8,413,416,852	5,752,043,223	2,195,493,171	229,432,012	236,448,446
	2424 Manu.of soap & detergent, cleaning, perfumies & toilet	1,616,164,657	752,321,568	801,807,897	-	62,035,192
	2425 Manu.of explosives, crackers and other firework	51,979,500	33,150,000	15,202,500	-	3,627,000
	2426 Manu.of mosquito-coils, camphor, naphthaline balls, inc	38,074,457	-	34,134,359	297,555	3,642,544
	2427 Manu.of processed salt (for food)	111,042,555	-	93,278,926	-	17,763,629
	2428 Manu.of chemicals and activated carbon	489,613,920	137,581,392	18,754,227	30,286,152	302,992,149
	2429 Manu.of other chemical products n.e.c	6,570,000	-	5,400,000	-	1,170,000
251 Manu.of rubber products	Group Total	50,427,419,726	19,113,838,921	25,468,537,868	336,543,259	5,508,499,678
	2511 Manu.of rubber tyres and tubes, rebuilding of rubber t	19,739,972,692	3,486,927,104	13,947,480,654	154,097,778	2,151,467,156
	2512 Manu.of rubber condoms, rubber gloves	4,531,440,376	2,608,107,467	641,687,492	17,324,511	1,264,320,906
	2513 Manu.of product from natural rubber	13,047,196,560	5,688,200,889	6,555,463,583	132,759,813	670,772,275
	2514 Manu.of article of rubber	9,104,812,461	5,835,940,805	2,633,995,462	32,222,824	602,653,370
	2519 Manu.of rubber products (not classified elsewhere)	4,003,997,636	1,494,662,655	1,689,910,677	138,333	819,285,971
252 Manu.of plastic products	Group Total	21,739,049,438	17,369,636,713	1,592,084,912	99,040,116	2,678,287,697
	2520 Manu.of plastic products	21,739,049,438	17,369,636,713	1,592,084,912	99,040,116	2,678,287,697

(cont.)

**Table 16 : Value of input & input components classified by industry - 2007
(Establishments with 5 or more persons engaged)**

Type of industry		Value of input (Rs.)	Raw materials consumed (imported) (Rs.)	Raw materials consumed (local) (Rs.)	Cost of industrial services done by others (Rs.)	Electricity & Fuel consumed (Rs.)
269 Manu.of Non metallic mineral products(Not elsewhere cla	Group Total	27,758,739,747	9,753,724,480	10,309,118,076	59,017,202	7,636,879,990
	2691 Manu.of non-structural non-refractory ceramic ware	2,834,968,660	632,145,400	119,015,903	13,000	2,083,794,357
	2693 Manu.of structural non refractory clay & ceramic produ	5,909,411,569	1,198,074,562	1,353,584,522	17,380,914	3,340,371,571
	2694 Manu.of cement lime, and plaster	4,483,164,024	3,767,229,311	335,510,682	-	380,424,032
	2695 Manu.of articles of concrete, cement & plaster	12,204,496,998	4,025,974,637	7,179,883,660	7,578,333	991,060,368
	2696 Cutting, shaping & finishing of rough stones	2,178,362,640	110,939,000	1,236,497,737	34,044,955	796,880,948
	2697 Refining of Ilmanite, surcon & refining of plumbago	5,570,000	-	5,204,000	-	366,000
	2699 Manu.of other non-metallic mineral products n.e.c	142,765,857	19,361,571	79,421,571	-	43,982,714
271 Manu.of basic iron & steel	Group Total	2,427,228,277	2,342,159,652	-	-	85,068,625
	2710 Manu.of basic iron & steel	2,427,228,277	2,342,159,652	-	-	85,068,625
272 Manu.of basic precious & non-ferrous metal	Group Total	971,097,860	18,202,654	948,440,356	-	4,454,850
	2720 Manu.of basic precious & non-ferrous metal	971,097,860	18,202,654	948,440,356	-	4,454,850
273 Casting of metals	Group Total	7,791,992,057	6,840,861,013	294,543,503	73,834,602	582,752,939
	2731 Casting of iron & steel	2,483,714,101	2,247,970,262	44,468,195	72,749,969	118,525,675
	2732 Casting of Non ferrous metals	5,308,277,956	4,592,890,751	250,075,308	1,084,633	464,227,263
281 Manu.of structural metal products, tanks, reservoirs &	Group Total	496,750,178	357,030,849	59,867,678	-	79,851,651
	2811 Manu.of structural metal products	150,263,591	80,696,040	47,066,573	-	22,500,978
	2812 Manu.of tanks, resorvoirs & containers of metal except	346,486,588	276,334,809	12,801,106	-	57,350,673
289 Manu.of other fabricated metal products	Group Total	5,630,205,369	3,993,882,314	779,076,120	522,451,466	334,795,469
	2892 Treatment & coating of metal general mechanical engine	737,398,951	359,885,700	53,973,393	267,577,007	55,962,852
	2893 Manu.of cutlery, hand tools & general hardware	1,071,168,686	830,667,093	207,446,570	-	33,055,024
	2894 Manu.of other brass articles	205,234,150	-	183,333,150	-	21,901,000
	2895 Manu.of non threaded metal products	489,676,966	385,734,898	85,311,763	-	18,630,305
	2896 Manu.of Metal cooking utensils, household appliances &	34,703,415	-	28,744,027	-	5,959,388
	2897 Manu.of Metal cables and similar articles	442,400	-	392,000	-	50,400
	2898 Manu.of Containers used for the packing or conveyance	730,223,303	484,924,667	111,554,667	46,874,459	86,869,511
	2899 Manu.of other fabricated metal products	2,361,357,497	1,932,669,956	108,320,550	208,000,000	112,366,990
	291 Manu.of general purpose machinery	Group Total	1,339,404,015	1,188,926,204	118,661,373	-
2911 Manu.of engine and turbines, except aircraft, vehicle		4,115,710	-	-	-	4,115,710
2912 Manu.of pumps, compressors, taps and valves		1,327,126,305	1,185,592,870	115,594,706	-	25,938,728
2919 Manu.of other general purpose machinery		8,162,000	3,333,333	3,066,667	-	1,762,000

(cont.)

**Table 16 : Value of input & input components classified by industry - 2007
(Establishments with 5 or more persons engaged)**

Type of industry		Value of input (Rs.)	Raw materials consumed (imported) (Rs.)	Raw materials consumed (local) (Rs.)	Cost of industrial services done by others (Rs.)	Electricity & Fuel consumed (Rs.)
292 Manu.of special purpose machinery	Group Total	4,846,444,586	3,649,030,928	1,064,442,952	17,613,397	115,357,309
	2921 Manu.of agricultural & forestry machinery	3,736,510,683	2,617,596,682	1,028,360,521	17,613,397	72,940,082
	2925 Manu.of machinery for Food, beverage & tobacco proce.	8,167,575	4,743,260	3,000,000	-	424,315
	2926 Manu.of machinery for textile, apparel & leather produ	560,547,773	552,873,754	-	-	7,674,019
	2929 Manu.of other special purpose machinery (Not elsewhere	541,218,555	473,817,232	33,082,430	-	34,318,893
293 Manu.of domestic appliance n.e.c.	Group Total	3,879,370,308	3,536,062,716	293,869,494	7,090,000	42,348,098
	2930 Manu.of domestic appliance n.e.c.	3,879,370,308	3,536,062,716	293,869,494	7,090,000	42,348,098
300 Manu.of office, accounting and computing machinery	Group Total	3,203,253,197	2,942,965,800	34,377,395	1,413,538	224,496,464
	3000 Manu.of office, accounting and computing machinery	3,203,253,197	2,942,965,800	34,377,395	1,413,538	224,496,464
311 Manu.of electronic motors, generators and transformers	Group Total	4,682,977,120	4,004,865,713	587,249,027	272,509	90,589,871
	3110 Manu.of electric motors, generators and transformers	4,682,977,120	4,004,865,713	587,249,027	272,509	90,589,871
312 Manu.of electricity distribution and control apparatus	Group Total	2,990,261,135	1,296,184,832	1,604,347,737	-	89,728,566
	3120 Manu.of electricity distribution and control apparatus	2,990,261,135	1,296,184,832	1,604,347,737	-	89,728,566
313 Manu.of insulated wire and cables	Group Total	18,741,893,275	17,886,379,123	631,084,515	-	224,429,637
	3130 Manu.of insulated wire and cables	18,741,893,275	17,886,379,123	631,084,515	-	224,429,637
314 Manu.of accumulators primary cells and primary batterie	Group Total	3,314,614,889	2,891,912,861	242,811,450	160,500	179,730,078
	3140 Manu.of accumulators primary cells and primary batteri	3,314,614,889	2,891,912,861	242,811,450	160,500	179,730,078
315 Manu.of electric lamps and lighting equipments	Group Total	328,066,900	208,273,440	65,809,270	-	53,984,190
	3150 Manu.of electric lamps and lighting equipments	328,066,900	208,273,440	65,809,270	-	53,984,190
319 Manu.of other electrical equipments n.e.c.	Group Total	981,575	805,575	-	-	176,000
	3190 Manu.of other electrical equipments n.e.c	981,575	805,575	-	-	176,000
321 Manu.of electronic valves, tubes & other	Group Total	1,424,953,218	1,293,544,157	68,795,131	-	62,613,931
	3210 Manu.of electronic valves, tubes & other	1,424,953,218	1,293,544,157	68,795,131	-	62,613,931
322 Manu.of TV & Radio transmitters	Group Total	4,171,594	-	2,124,745	-	2,046,849
	3220 Manu.of TV & radio transmitters & apparatus for line t	4,171,594	-	2,124,745	-	2,046,849
323 Manu.of TV & Radio receivers, sound or vedio recording	Group Total	310,959,619	261,025,188	40,260,976	50,000	9,623,455
	3230 Manu.of TV & radio receivers sound or video recording	310,959,619	261,025,188	40,260,976	50,000	9,623,455
331 Manu.of medical appliances & instruments & appliances f	Group Total	14,981,604	11,961,885	1,602,735	-	1,416,984
	3313 Manu.of industrial process control equipments	14,981,604	11,961,885	1,602,735	-	1,416,984
332 Manu.of optical instruments and photographic equipments	Group Total	3,710,000	1,600,000	-	-	2,110,000
	3320 Manu.of optical instruments and photographic equipment	3,710,000	1,600,000	-	-	2,110,000
341 Manu.of motor vehicles	Group Total	119,839,541	11,924,665	1,140,000	95,015,440	11,759,436
	3410 Manu.of motor vehicles	119,839,541	11,924,665	1,140,000	95,015,440	11,759,436
342 Manu.of bodies for Motor vehicles, Manu. of trailers &	Group Total	52,072,689	9,931,272	35,597,969	663,000	5,880,449
	3420 Manu.of bodies for Motor vehicles, Manu. of trailers &	52,072,689	9,931,272	35,597,969	663,000	5,880,449

(cont.)

**Table 16 : Value of input & input components classified by industry - 2007
(Establishments with 5 or more persons engaged)**

Type of industry		Value of input (Rs.)	Raw materials consumed (imported) (Rs.)	Raw materials consumed (local) (Rs.)	Cost of industrial services done by others (Rs.)	Electricity & Fuel consumed (Rs.)
343 Manu.of spare parts and accessories for motor vehicles	Group Total	722,035,579	132,597,000	454,748,490	5,370,378	129,319,711
	3430 Manu.of spare parts and accessories for motor vehicles	722,035,579	132,597,000	454,748,490	5,370,378	129,319,711
351 Building and repairing of ships and boats	Group Total	7,835,094,812	5,678,949,518	788,946,999	1,091,177,667	276,020,628
	3511 Building and repairing of ships	6,087,163,675	4,258,885,987	494,034,078	1,091,177,667	243,065,943
	3512 Building and repairing of pleasure & sporting boats	1,747,931,137	1,420,063,531	294,912,922	-	32,954,685
352 Manu.of railway and tramway locomotives and rolling sto	Group Total	3,281,171	-	-	-	3,281,171
	3520 Manu.of railway & tramway locomotives & rolling stock	3,281,171	-	-	-	3,281,171
359 Manu.of transport equipment n.e.c.	Group Total	4,420,134,164	943,616,477	3,246,842,034	3,475,500	226,200,152
	3591 Manu.of motorcycles & motor tricycle (three wheelers)	29,164,501	2,554,477	10,306,762	960,234	15,343,028
	3592 Manu.of bicycles & invalid carriages	4,370,366,173	941,062,000	3,216,879,272	2,461,266	209,963,634
	3593 Manu.of other transport equipment	20,603,490	-	19,656,000	54,000	893,490
361 Manu.of furniture	Group Total	9,371,393,336	4,728,534,865	4,009,891,681	93,977,673	538,989,118
	3610 Manu.of furniture	9,371,393,336	4,728,534,865	4,009,891,681	93,977,673	538,989,118
369 Manu.of other product not elsewhere classified	Group Total	9,898,322,475	6,626,041,148	2,404,339,600	384,217,289	483,724,439
	3691 Manu.of jewellery and related articles	3,086,202,378	2,853,656,383	150,588,441	240,000	81,717,554
	3693 Manu.of sports goods	248,953,295	229,504,086	11,092,530	-	8,356,679
	3694 Manu.of toys & games	1,106,610,344	793,374,857	256,154,969	-	57,080,518
	3699 Other manufacturing not elsewhere classified	5,456,556,459	2,749,505,822	1,986,503,660	383,977,289	336,569,688
372 Recycling of non-metal waste and scrap	Group Total	561,611,303	252,618,195	146,064,614	4,000,000	158,928,494
	3720 Recycling of non-metal waste and scrap	561,611,303	252,618,195	146,064,614	4,000,000	158,928,494
401 Production, collection & distribution of electricity	Group Total	42,697,103,432	9,629,176,314	8,424,002,318	5,220,000	24,638,704,800
	4010 Production, collection & distribution of electricity	42,697,103,432	9,629,176,314	8,424,002,318	5,220,000	24,638,704,800
402 Manu.of gas	Group Total	1,231,942,200	1,223,031,600	-	-	8,910,600
	4020 Manu.of gas	1,231,942,200	1,223,031,600	-	-	8,910,600
410 Collection, purification and distribution of water	Group Total	1,978,406,654	264,370,901	28,512,813	773,915	1,684,749,026
	4100 Collection, purification and distribution of water	1,978,406,654	264,370,901	28,512,813	773,915	1,684,749,026
Total		1,301,096,803,353	883,436,550,320	269,598,750,448	10,967,863,743	137,093,638,842

**Table 17 : Value of electricity & type of fuel classified by industry - 2007
(Establishments with 5 or more persons engaged)**

Type of industry	Fuel & Electricity Total (Rs.)	Electricity (Rs.)	Furnace (Rs.)	Diesel (Rs.)	Kerosene (Rs.)	Petrol (Rs.)	L.P.G. (Rs.)	Charcoal (Rs.)	Firewood (Rs.)	Water (Rs.)	Other fuel (Rs.)	
141 Quarrying of stone Clay and Sand	Group Total	324,948,529	53,264,142	-	227,134,812	1,032,000	2,116,000	-	142,000	1,803,985	39,455,590	
	1411 Quarrying of stone Clay and Sand	21,739,434	648,422	-	14,839,012	22,000	196,000	-	120,000	-	5,914,000	
	1412 Braking of Granite	274,398,220	25,818,600	-	211,795,630	1,010,000	1,920,000	-	22,000	290,400	33,541,590	
	1413 Quarrying of Sand & Gravel	27,142,875	25,129,120	-	500,170	-	-	-	-	1,513,585	-	
	1414 Quarrying Of Limestone	1,668,000	1,668,000	-	-	-	-	-	-	-	-	
142 Mining and Quarrying n.e.c	Group Total	197,989,458	65,629,600	-	97,486,825	32,339,676	127,903	277,764	113,127	443,568	129,000	1,441,995
	1421 Mining of chemical and Fertilizer minerals	18,433,000	14,527,000	-	3,777,000	-	-	-	-	129,000	-	
	1422 Extraction of salt	56,608,511	18,220,086	-	10,228,425	28,160,000	-	-	-	-	-	
	1423 Mining of precious and semi precious stones	77,169,933	-	-	72,661,933	4,118,000	-	-	-	-	390,000	
	1429 Other Mining & Quarrying N.e.c	45,778,014	32,882,514	-	10,819,467	61,676	127,903	277,764	113,127	443,568	1,051,995	
151 Produ., proce. & preserving of meat, fish,fruit, vegeta	Group Total	607,095,363	292,532,970	86,361,693	120,828,198	11,099,388	13,085,551	2,878,310	-	63,152,750	12,278,624	4,877,880
	1511 Processing and Preserving of Meat and Meat Product	216,404,078	129,648,751	-	77,992,349	8,544,412	208,566	-	-	10,000	-	
	1512 Processing and Preserving of fish and fish Products	63,652,468	38,261,818	1,440,000	20,808,290	-	344,000	449,440	-	2,348,920	-	
	1513 Processing & Preserving of fruits & Vegetables	86,240,303	22,028,695	30,805,134	13,613,587	58,995	12,527,485	2,428,870	-	461,610	4,315,928	
	1514 Manufacture of Vegetable oils animal oils & fats	240,798,514	102,593,706	54,116,559	8,413,972	2,495,981	5,500	-	62,691,140	5,603,777	4,877,880	
152 Manufacture of Dairy Products	Group Total	758,355,286	346,379,865	156,254,325	148,696,864	-	45,994,000	8,289,479	-	1,062,556	48,613,754	3,064,444
	1520 Manufacture of Dairy Products	758,355,286	346,379,865	156,254,325	148,696,864	-	45,994,000	8,289,479	-	1,062,556	48,613,754	3,064,444
153 Manu.of grain mill products and prepared animal feeds	Group Total	1,662,902,596	1,259,148,104	28,075,427	328,627,345	11,496,166	12,478,775	2,925,174	-	8,649,073	11,394,325	108,207
	1531 Manufacture of Grain Mill Products	1,535,931,636	1,195,218,104	4,999,427	289,618,385	11,496,166	12,478,775	2,565,174	-	8,649,073	10,798,325	108,207
	1533 Preparation of Animal food from milling waist	126,970,960	63,930,000	23,076,000	39,008,960	-	-	360,000	-	-	596,000	-
154 Manu.of other food products	Group Total	9,621,266,670	3,744,828,666	307,924,678	2,343,832,808	40,749,692	213,446,161	881,072,141	24,901,132	1,928,377,599	58,804,968	77,328,825
	1541 Manufacture of bakery products	2,322,183,602	718,193,291	-	423,334,901	501,750	107,187,574	861,131,488	-	186,097,336	25,414,428	322,833
	1542 Manufacture of Cane sugar and molasses	504,672,659	27,480,709	88,825,885	338,235,905	1,042,175	3,132,319	-	-	11,093,456	1,251,761	33,610,449
	1543 Manu.of cocoa, chocolate and sugar confectionary	222,387,622	99,073,248	55,608,856	22,672,229	697,292	544,882	9,094,938	-	12,043,533	3,266,675	19,385,970
	1544 Manu.of macaroni, noodles couscous and similar farinac	141,107,125	86,988,452	9,158,278	27,571,890	10,569,669	4,559,846	264,700	-	721,747	815,292	457,250
	1545 Manu.of Coffee & Soya Products for drinking	113,966,298	94,255,758	5,165,178	3,823,997	6,713,549	1,752,663	187,104	-	-	2,005,495	62,554
	1546 Manu.of tea and tea products	6,248,536,263	2,692,993,578	149,166,481	1,513,958,337	19,402,464	87,429,793	6,823,003	24,901,132	1,705,242,384	25,322,592	23,296,500
	1547 Manu.of chilly-power, condiments powder, proce.of spic	49,070,900	24,148,630	-	14,235,548	1,822,793	4,189,083	3,570,909	-	181,942	728,726	193,268
	1549 Manu.of other food products n.e.c	19,342,200	1,695,000	-	-	-	4,650,000	-	-	12,997,200	-	-
155 Manu.of beverages	Group Total	1,336,766,294	907,282,826	189,840,593	197,563,467	7,040	22,952,686	5,024,922	-	196,880	2,887,739	11,010,141
	1551 Manufacture of beverages	22,791,737	8,227,061	-	13,219,807	-	821,130	-	-	-	523,739	-
	1552 Manu.of wine, bottled toddy and similar products	198,970	-	-	-	2,090	-	-	-	196,880	-	-
	1553 Manu.of all other beverages such as beer and stout	307,904,810	137,890,304	170,014,506	-	-	-	-	-	-	-	-
	1554 Manu.of beverages such as soft drinks, soda etc	1,005,870,777	761,165,461	19,826,087	184,343,660	4,950	22,131,556	5,024,922	-	-	2,364,000	11,010,141
160 Manu.of tobacco products	Group Total	170,198,689	113,456,155	2,012,610	44,311,924	829,288	1,614,852	2,624,074	100,800	124,448	3,369,538	1,755,000
	1601 Manu.of tabacco products	32,549,238	22,640,588	-	6,660,363	24,650	45,000	-	-	9,000	1,414,637	1,755,000
	1602 Manu.of Cigarette, Cigar & Beedi	87,288,876	51,698,513	2,012,610	29,168,792	804,638	718,541	2,624,074	100,800	115,448	45,460	-
	1609 Tobacco based products	50,360,575	39,117,054	-	8,482,769	-	851,311	-	-	-	1,909,441	-
171 Spinning, weaving and finishing of Textiles	Group Total	2,611,342,900	999,747,133	1,033,206,196	155,541,730	308,329	1,046,567	57,213,621	133,101,000	8,882,332	153,404,071	68,891,921
	1711 Prepa. & spinning of Textiles fibres, weaving of texti	1,354,558,371	656,286,298	431,833,022	131,620,433	9,280	1,046,567	2,136,331	-	335,332	130,554,340	736,767
	1712 Finishing of Textiles	1,256,784,529	343,460,835	601,373,174	23,921,297	299,049	-	55,077,290	133,101,000	8,547,000	22,849,730	68,155,154
172 Manu.of other Textiles	Group Total	1,037,105,788	416,461,253	19,333,009	217,095,485	31,537,570	7,620,702	1,304,100	-	2,214,109	12,036,638	329,502,922
	1721 Manu.of made-up textile article, except apparel	605,524,957	217,833,500	-	22,963,212	31,500,000	299,929	1,304,100	-	1,875,334	1,350,771	328,398,111
	1722 Manu.of carpets and rugs	6,979,296	3,500,222	-	1,226,081	37,570	1,981,523	-	-	8,400	-	225,500
	1723 Manu.of Cordage, Rope, twine & netting	349,532,785	145,122,808	5,573,448	189,833,671	-	730,486	-	-	375	8,271,997	-
	1724 Manufacture of Sanitary Towels & Pampers	9,507,000	9,012,000	-	150,000	-	-	-	-	330,000	15,000	-
	1726 Manu. of Laces and embroidered cloths	22,694,349	13,293,914	5,793,732	1,160,101	-	881,941	-	-	-	1,564,661	-
	1727 Manu. of Labels, badges (cloth based)	42,465,602	27,698,809	7,965,829	1,565,621	-	3,726,822	-	-	-	834,208	674,311
	1729 Cloth and coir based other products	401,800	-	-	196,800	-	-	-	-	-	-	205,000

(cont.)

**Table 17 : Value of electricity & type of fuel classified by industry - 2007
(Establishments with 5 or more persons engaged)**

Type of industry	Fuel & Electricity Total (Rs.)	Electricity (Rs.)	Furnace (Rs.)	Diesel (Rs.)	Kerosene (Rs.)	Petrol (Rs.)	L.P.G. (Rs.)	Charcoal (Rs.)	Firewood (Rs.)	Water (Rs.)	Other fuel (Rs.)	
173 Manu.of knitted and crocheted fabrics and articles	Group Total	61,216,197,141	14,225,645,947	46,550,614,653	263,025,831	47,675	7,891,689	992,772	-	-	87,972,240	80,006,333
1731 Manufacture of knitted Garments		59,681,759,891	13,449,212,559	46,205,296,325	11,038,228	-	5,298,828	-	-	-	10,913,951	-
1732 Manufacture of Knitted socks, purses and Hand glouses		620,747,222	364,175,631	-	159,082,934	47,675	2,592,861	992,772	-	-	13,849,015	80,006,333
1733 Manufacture of Knitted Lace		207,916,278	90,068,520	99,686,753	5,543,159	-	-	-	-	-	12,617,846	-
1739 Elastomeric Yarn & other rubber thread based products		705,773,750	322,189,237	245,631,575	87,361,511	-	-	-	-	-	50,591,428	-
181 Manu.of weaving Apparel except fur apparels	Group Total	8,358,621,227	4,889,403,296	844,204,215	1,463,196,334	177,020,899	434,883,580	63,530,279	1,005,000	354,271	450,723,656	34,299,698
1810 Manufacture of weaving Apparel, except fur apparels		8,358,621,227	4,889,403,296	844,204,215	1,463,196,334	177,020,899	434,883,580	63,530,279	1,005,000	354,271	450,723,656	34,299,698
191 Tanning & dressing of leather; manu. of luggage, Hand b	Group Total	9,716,317	7,492,567	-	539,750	-	892,828	108,808	-	-	672,363	10,000
1912 Manu.of luggage, hand bags		2,341,400	2,306,400	-	25,000	-	-	-	-	-	-	10,000
1913 Manu. of Bags & rain coats, artificial leather product		7,374,917	5,186,167	-	514,750	-	892,828	108,808	-	-	672,363	-
192 Manu.of footwear	Group Total	152,611,470	97,678,958	34,662,504	9,285,191	12,000	3,635,174	31,200	-	-	4,850,597	2,455,846
1920 Manufacturing of footwear		152,611,470	97,678,958	34,662,504	9,285,191	12,000	3,635,174	31,200	-	-	4,850,597	2,455,846
201 Saw-milling and planning of wood	Group Total	176,603,712	106,751,505	10,000	65,988,325	10,774	809,802	-	-	-	1,613,716	1,419,590
2010 Saw-milling and planning of wood		176,603,712	106,751,505	10,000	65,988,325	10,774	809,802	-	-	-	1,613,716	1,419,590
202 Manu.of produ. of wood, cork, straw & plaiting material	Group Total	137,542,734	75,013,890	500,000	36,950,269	606,152	4,802,340	-	-	15,811,200	3,291,873	567,010
2021 Manu. of veneer sheets, plywood, lamin board, particle		86,727,725	47,657,626	500,000	19,216,692	200,000	2,052,340	-	-	15,800,000	1,301,067	-
2022 Manufacture of builders carpentry and joinery		4,089,320	4,011,720	-	-	4,000	-	-	-	-	-	73,600
2024 Manu. of produ. by cork barks, wood utencils from reed,		224,130	159,740	-	-	1,106	-	-	-	-	11,900	51,384
2025 Manu. of Household utencils of other wooden article and		37,014,290	20,572,865	-	11,429,654	271,665	2,750,000	-	-	11,200	1,978,907	-
2028 Manu. of other office equipment & wood articles		9,487,269	2,611,939	-	6,303,923	129,381	-	-	-	-	-	442,026
210 Manu. of paper and paper products	Group Total	842,776,646	384,487,130	216,408,106	139,477,651	388,160	79,417,630	59,438	-	2,935,291	18,115,814	1,487,425
2101 Manufacture of pulp, paper and paperboards		202,067,026	67,875,098	121,630,296	3,609,350	267,040	1,387,794	56,558	-	1,995,998	3,757,467	1,487,425
2102 Manu. of corrugated paper & paperboard & containers of		294,026,148	128,132,229	94,777,810	32,398,601	68,960	34,240,235	-	-	-	4,408,313	-
2103 Manufacture of cards, files, books and pads		13,086,457	7,397,215	-	3,936,000	52,160	623,589	2,880	-	939,293	135,320	-
2104 Manu. of toys, plates, cups, spoons, knives & ornaments		123,472	118,757	-	-	-	-	-	-	-	4,715	-
2109 Manu. of pulp paper and paper boards articles n.e.c		333,473,543	180,963,831	-	99,533,701	-	43,166,012	-	-	-	9,809,999	-
221 Publishing, printing and reproduction of recorded media	Group Total	1,334,975	566,680	-	768,295	-	-	-	-	-	-	-
2211 Publishing of books, brochures, musical books		1,334,975	566,680	-	768,295	-	-	-	-	-	-	-
222 Printing & service activities related to printing for o	Group Total	714,344,632	450,419,158	2,507,411	106,284,038	13,586,050	105,392,671	3,836,890	-	-	30,413,546	1,904,868
2221 Printing of newspapers, journals & periodicals for oth		625,289,169	371,518,626	2,507,411	106,284,038	13,586,050	101,145,421	3,836,890	-	-	24,505,865	1,904,868
2222 Service activities related to printing		89,055,463	78,900,532	-	-	-	4,247,249	-	-	-	5,907,681	-
232 Manu. of refined petroleum products	Group Total	122,744,405	73,075,667	-	-	44,305,437	-	-	-	-	5,363,301	-
2320 Manu. of refined petroleum products		122,744,405	73,075,667	-	-	44,305,437	-	-	-	-	5,363,301	-
241 Manu. of basic chemicals	Group Total	69,101,017	59,362,043	-	8,605,090	-	-	111,086	-	-	1,022,798	-
2412 Manu. of fertilizer & nitrogen compounds		1,868,548	1,686,760	-	181,788	-	-	-	-	-	-	-
2413 Manu. of plastic in primary forms and synthetic rubber		47,667,529	42,946,588	-	3,828,000	-	-	-	-	-	892,941	-
2414 Manu. of Natural carbonic fertilizers		19,564,940	14,728,695	-	4,595,302	-	-	111,086	-	-	129,857	-
242 Manu. of other chemical products	Group Total	756,546,200	243,970,930	232,802,603	134,065,039	4,253,159	44,176,374	9,124,532	25,436,874	19,021,575	12,313,667	31,381,447
2421 Manu. of pesticides and other agro-chemical products		19,357,453	16,603,720	-	2,753,733	-	-	-	-	-	-	-
2422 Manu. of paints, varnishes & similar coatings, printing		109,509,787	28,173,100	-	75,208,660	-	5,155,258	-	-	-	972,770	-
2423 Manu. of pharmaceuticals, medicinal chemicals & botanica		236,448,446	111,445,169	25,194,074	23,483,117	1,085,876	35,607,091	8,927,199	-	13,428,633	7,439,618	9,837,669
2424 Manu. of soap & detergent, cleaning, perfumies & toilet		62,035,192	17,585,437	9,438,263	7,923,983	3,006,178	1,401,746	98,857	-	955,000	871,320	20,754,409
2425 Manu. of explosives, crackers and other firework		3,627,000	1,365,000	-	-	117,000	-	-	195,000	975,000	975,000	-
2426 Manu. of mosquito-coils, camphor, naphthaline balls, inc		3,642,544	1,292,333	-	1,298,210	18,000	-	-	-	1,016,000	18,000	-
2427 Manu. of processed salt (for food)		17,763,629	6,146,892	112,128	7,800,132	26,105	908,657	98,476	-	-	1,881,870	789,369
2428 Manu. of chemicals and activated carbon		302,992,149	60,909,279	198,058,138	15,597,204	-	1,103,622	-	25,241,874	1,926,942	155,089	-
2429 Manu. of other chemical products n.e.c		1,170,000	450,000	-	-	-	-	-	-	720,000	-	-

(cont.)

**Table 17 : Value of electricity & type of fuel classified by industry - 2007
(Establishments with 5 or more persons engaged)**

Type of industry	Fuel & Electricity Total (Rs.)	Electricity (Rs.)	Furnace (Rs.)	Diesel (Rs.)	Kerosene (Rs.)	Petrol (Rs.)	L.P.G. (Rs.)	Charcoal (Rs.)	Firewood (Rs.)	Water (Rs.)	Other fuel (Rs.)	
251 Manu.of rubber products	Group Total	5,508,499,678	2,566,556,759	1,801,461,381	464,829,747	216,434,283	65,317,205	5,434,863	-	109,988,333	205,133,139	73,343,967
2511 Manu.of rubber tyres and tubes, rebuilding of rubber t		2,151,467,156	1,357,361,872	545,710,186	149,652,497	2,485,458	21,810,101	4,115,972	-	2,455,556	32,050,319	35,825,196
2512 Manu.of rubber condoms, rubber gloves		1,264,320,906	222,894,465	777,350,918	77,264,787	29,417,300	254,330	337,000	-	60,666,212	96,135,895	-
2513 Manu.of product from natural rubber		670,772,275	318,705,701	150,473,379	114,869,565	10,968,711	498,492	55,258	-	43,214,566	12,127,459	19,859,146
2514 Manu.of article of rubber		602,653,370	306,131,795	85,017,230	102,208,753	7,793,966	39,530,838	285,000	-	-	61,685,788	-
2519 Manu.of rubber products (not classified elsewhere)		819,285,971	361,462,927	242,909,669	20,834,146	165,768,848	3,223,443	641,633	-	3,652,000	3,133,678	17,659,626
252 Manu.of plastic products	Group Total	2,678,287,697	1,633,453,758	593,255,520	217,325,167	10,151,179	61,467,404	131,700,728	-	-	23,908,569	7,025,373
2520 Manu.of plastic products		2,678,287,697	1,633,453,758	593,255,520	217,325,167	10,151,179	61,467,404	131,700,728	-	-	23,908,569	7,025,373
269 Manu.of Non metallic mineral products(Not elsewhere cla	Group Total	7,636,879,990	1,331,491,763	15,227,396	2,020,771,893	1,388,549,304	40,977,810	1,918,214,525	84,356,667	614,645,995	39,506,730	183,137,907
2691 Manu.of non-structural non-refractory ceramic ware		2,083,794,357	314,729,324	5,798,184	601,431,033	371,755,055	49,556	783,614,021	-	78,000	334,936	6,004,248
2693 Manu.of structural non refractory clay & ceramic produ		3,340,371,571	487,368,524	9,246,712	247,578,023	1,015,974,482	315,617	1,133,413,375	-	351,349,895	8,649,638	86,475,307
2694 Manu.of cement lime, and plaster		380,424,032	25,551,898	-	6,397,033	-	-	-	84,240,000	263,218,100	1,017,001	-
2695 Manu.of articles of concrete, cement & plaster		991,060,368	412,666,315	182,500	462,444,161	66,667	20,952,571	1,150,750	106,667	-	27,009,812	66,480,925
2696 Cutting, shaping & finishing of rough stones		796,880,948	62,775,132	-	687,730,643	753,100	19,660,066	36,380	10,000	-	1,738,200	24,177,427
2697 Refining of Ilmanite, surcon & refining of plumbago		366,000	360,000	-	-	-	-	-	-	-	6,000	-
2699 Manu.of other non-metalic mineral products n.e.c		43,982,714	28,040,571	-	15,191,000	-	-	-	-	-	751,143	-
271 Manu.of basic iron & steel	Group Total	85,068,625	27,212,838	57,855,787	-	-	-	-	-	-	-	-
2710 Manu.of basic iron & steel		85,068,625	27,212,838	57,855,787	-	-	-	-	-	-	-	-
272 Manu.of basic precious & non-ferrous metal	Group Total	4,454,850	2,601,250	-	1,400,000	-	-	163,200	-	-	290,400	-
2720 Manu.of basic precious & non-ferrous metal		4,454,850	2,601,250	-	1,400,000	-	-	163,200	-	-	290,400	-
273 Casting of metals	Group Total	582,752,939	379,072,872	99,981,353	41,301,001	3,251,434	31,976,497	1,789,597	6,279,000	1,696,200	17,404,985	-
2731 Casting of iron & steel		118,525,675	50,814,995	36,231,000	10,706,597	2,429,901	594,547	1,611,120	6,279,000	1,677,000	8,181,515	-
2732 Casting of Non ferrous metals		464,227,263	328,257,877	63,750,353	30,594,404	821,533	31,381,950	178,477	-	19,200	9,223,469	-
281 Manu.of structural metal products, tanks, reservoirs &	Group Total	79,851,651	27,808,450	75,000	27,505,770	4,370,600	1,863,000	12,833,433	330,000	576,000	2,110,881	2,378,517
2811 Manu.of structural metal products		22,500,978	10,017,171	75,000	21,158,500	2,438,600	765,000	3,704,750	330,000	576,000	75,440	2,360,517
2812 Manu.of tanks, reservoirs & containers of metal except		57,350,673	17,791,279	-	25,347,270	1,932,000	1,098,000	9,128,683	-	-	2,035,441	18,000
289 Manu.of other fabricated metal products	Group Total	334,795,469	140,708,036	14,914,122	72,461,268	6,462,415	39,243,999	26,549,966	189,392	312,500	12,083,946	21,869,827
2892 Treatment & coating of metal general mechanical engine		55,962,852	20,779,567	-	11,988,642	52,000	20,298,857	615,950	-	-	2,179,836	48,000
2893 Manu.of cutlery, hand tools & general hardware		33,055,024	16,656,992	-	-	793,600	6,931,850	1,734,016	134,392	12,500	1,372,887	5,418,787
2894 Manu.of other brass articles		21,901,000	3,993,000	3,388,000	-	-	-	-	-	-	-	14,520,000
2895 Manu.of non threaded metal products		18,630,305	15,487,819	-	1,218,359	1,350,198	7,559	-	-	-	566,370	-
2896 Manu.of Metal cooking utensils, household appliances &		5,959,388	2,784,950	278,333	-	518,500	-	200,000	55,000	300,000	1,822,605	-
2897 Manu.of Metal cables and similar articles		50,400	48,000	-	-	-	-	-	-	-	-	2,400
2898 Manu.of Containers used for the packing or conveyance		86,869,511	48,311,761	-	8,012,225	2,155,617	1,152,000	24,000,000	-	-	3,237,909	-
2899 Manu.of other fabricated metal products		112,366,990	32,645,947	11,247,788	51,242,042	1,592,500	10,853,733	-	-	-	2,904,340	1,880,640
291 Manu.of general purpose machinery	Group Total	31,816,438	26,610,446	48,000	1,638,160	113,333	2,341,302	80,000	72,000	-	812,198	101,000
2911 Manu.of engine and turbines, except aircraft, vehicle		4,115,710	3,267,562	-	443,160	-	-	-	-	-	404,988	-
2912 Manu.of pumps, compressors, taps and valves		25,938,728	22,726,884	-	550,000	2,269,302	-	-	-	-	359,209	5,000
2919 Manu.of other general purpose machinery		1,762,000	616,000	48,000	645,000	85,000	72,000	80,000	72,000	-	48,000	96,000
292 Manu.of special purpose machinery	Group Total	115,357,309	50,088,033	7,500	58,144,927	55,637	4,863,336	163,333	30,000	-	548,862	1,455,682
2921 Manu.of agricultural & forestry machinery		72,940,082	9,882,895	7,500	57,027,702	55,637	4,050,000	163,333	30,000	-	267,333	1,455,682
2925 Manu.of machinery for Food, beverage & tobacco proce.		424,315	174,315	-	150,000	-	100,000	-	-	-	-	-
2926 Manu.of machinery for textile, apparel & leather produ		7,674,019	7,579,002	-	-	-	-	-	-	-	95,017	-
2929 Manu.of other special purpose machinery (Not elsewhere		34,318,893	32,451,821	-	967,224	-	713,336	-	-	-	186,512	-
293 Manu.of domestic appliance n.e.c.	Group Total	42,348,098	24,260,784	-	16,115,452	-	21,600	280,000	-	-	1,670,262	-
2930 Manu.of domestic appliance n.e.c.		42,348,098	24,260,784	-	16,115,452	-	21,600	280,000	-	-	1,670,262	-
300 Manu.of office, accounting and computing machinery	Group Total	224,496,464	168,816,426	-	45,933,759	-	819,316	1,415,698	-	-	7,511,265	-
3000 Manu.of office, accounting and computing machinery		224,496,464	168,816,426	-	45,933,759	-	819,316	1,415,698	-	-	7,511,265	-
311 Manu.of electronic motors, generators and transformers	Group Total	90,589,871	73,320,996	-	1,205,038	-	11,228,944	156,407	-	-	3,778,530	899,956
3110 Manu.of electric motors, generators and transformers		90,589,871	73,320,996	-	1,205,038	-	11,228,944	156,407	-	-	3,778,530	899,956
312 Manu.of electricity distribution and control apparatus	Group Total	89,728,566	69,013,762	-	15,319,462	56,259	1,327,885	390,949	-	-	3,611,449	8,800
3120 Manu.of electricity distribution and control apparatus		89,728,566	69,013,762	-	15,319,462	56,259	1,327,885	390,949	-	-	3,611,449	8,800

(cont.)

**Table 17 : Value of electricity & type of fuel classified by industry - 2007
(Establishments with 5 or more persons engaged)**

Type of industry	Fuel & Electricity Total (Rs.)	Electricity (Rs.)	Furnace (Rs.)	Diesel (Rs.)	Kerosene (Rs.)	Petrol (Rs.)	L.P.G. (Rs.)	Charcoal (Rs.)	Firewood (Rs.)	Water (Rs.)	Other fuel (Rs.)
313 Manu.of insulated wire and cables	Group Total	224,429,637	217,128,937	-	4,003,953	-	3,000,000	-	-	296,747	-
3130 Manu.of insulated wire and cables		224,429,637	217,128,937	-	4,003,953	-	3,000,000	-	-	296,747	-
314 Manu.of accumulators primary cells and primary batterie	Group Total	179,730,078	98,161,146	24,471,322	10,507,460	207,372	2,329,776	41,031,275	-	2,853,727	168,000
3140 Manu.of accumulators primary cells and primary batterie		179,730,078	98,161,146	24,471,322	10,507,460	207,372	2,329,776	41,031,275	-	2,853,727	168,000
315 Manu.of electric lamps and lighting equipments	Group Total	53,984,190	22,853,700	-	11,173,380	-	-	19,840,010	-	117,100	-
3150 Manu.of electric lamps and lighting equipments		53,984,190	22,853,700	-	11,173,380	-	-	19,840,010	-	117,100	-
319 Manu.of other electrical equipments n.e.c.	Group Total	176,000	94,000	-	82,000	-	-	-	-	-	-
3190 Manu.of other electrical equipments n.e.c		176,000	94,000	-	82,000	-	-	-	-	-	-
321 Manu.of electronic valves, tubes & other	Group Total	62,613,931	47,757,741	-	1,523,962	42,000	9,796,272	325,694	-	3,168,261	-
3210 Manu.of electronic valves, tubes & other		62,613,931	47,757,741	-	1,523,962	42,000	9,796,272	325,694	-	3,168,261	-
322 Manu.of TV & Radio transmitters	Group Total	2,046,849	1,308,206	-	219,843	-	490,000	-	-	28,800	-
3220 Manu.of TV & radio transmitters & apparatus for line t		2,046,849	1,308,206	-	219,843	-	490,000	-	-	28,800	-
323 Manu.of TV & Radio receivers, sound or vedio recording	Group Total	9,623,455	6,095,307	-	1,778,000	-	160,000	21,600	-	553,868	1,014,680
3230 Manu.of TV & radio receivers sound or vedio recording		9,623,455	6,095,307	-	1,778,000	-	160,000	21,600	-	553,868	1,014,680
331 Manu.of medical appliances & instruments & appliances f	Group Total	1,416,984	415,521	-	-	-	1,001,463	-	-	-	-
3313 Manu.of industrial process control equipments		1,416,984	415,521	-	-	-	1,001,463	-	-	-	-
332 Manu.of optical instruments and photographic equipments	Group Total	2,110,000	1,000,000	150,000	500,000	250,000	40,000	20,000	-	150,000	-
3320 Manu.of optical instruments and photographic equipment		2,110,000	1,000,000	150,000	500,000	250,000	40,000	20,000	-	150,000	-
341 Manu.of motor vehicles	Group Total	11,759,436	2,061,924	16,000	581,600	36,480	208,000	50,400	30,000	8,739,032	36,000
3410 Manu.of motor vehicles		11,759,436	2,061,924	16,000	581,600	36,480	208,000	50,400	30,000	8,739,032	36,000
342 Manu.of bodies for Motor vehicles, Manu. of trailers &	Group Total	5,880,449	2,240,156	-	3,164,569	135,403	-	71,700	-	154,500	114,121
3420 Manu.of bodies for Motor vehicles, Manu. of trailers &		5,880,449	2,240,156	-	3,164,569	135,403	-	71,700	-	154,500	114,121
343 Manu.of spare parts and accessories for motor vehicles	Group Total	129,319,711	60,467,267	65,742,396	1,111,600	30,000	229,580	451,744	-	32,000	1,132,724
3430 Manu.of spare parts and accessories for motor vehicles		129,319,711	60,467,267	65,742,396	1,111,600	30,000	229,580	451,744	-	32,000	1,132,724
351 Building and repairing of ships and boats	Group Total	276,020,628	152,695,617	-	72,182,416	1,832,333	9,867,331	8,782,537	-	29,010,395	1,650,000
3511 Building and repairing of ships		243,065,943	127,321,025	-	70,033,565	1,832,333	8,605,258	8,782,537	-	24,841,226	1,650,000
3512 Building and repairing of pleasure & sporting boats		32,954,685	25,374,592	-	2,148,851	-	1,262,073	-	-	4,169,169	-
352 Manu.of railway and tramway locomatives and rolling sto	Group Total	3,281,171	1,708,831	-	760,340	-	-	-	120,000	526,000	166,000
3520 Manu.of railway & tramway locomatives & rolling stock		3,281,171	1,708,831	-	760,340	-	-	-	120,000	526,000	166,000
359 Manu.of transport equipment n.e.c.	Group Total	226,200,152	118,310,296	2,100,060	80,825,859	1,342,282	3,678,576	10,461,306	-	6,418,427	3,063,346
3591 Manu.of motorcycles & motor tricycle (three wheelers)		15,343,028	4,013,028	-	5,107,000	146,000	3,375,000	-	-	445,000	2,257,000
3592 Manu.of bicycles & invalid carriages		209,963,634	114,095,968	2,100,060	75,389,831	1,135,046	21,000	10,461,306	-	5,973,427	786,996
3593 Manu.of other transport equipment		893,490	201,300	-	329,028	61,236	282,576	-	-	-	19,350
361 Manu.of furniture	Group Total	538,989,118	274,129,963	38,210,194	72,357,552	58,976,018	74,823,626	1,229,328	-	1,756,875	15,037,226
3610 Manu.of furniture		538,989,118	274,129,963	38,210,194	72,357,552	58,976,018	74,823,626	1,229,328	-	1,756,875	15,037,226
369 Manu.of other product not elsewhere classified	Group Total	483,724,439	302,760,905	28,000	102,941,944	1,670,154	37,411,330	8,408,706	2,234,393	975,100	25,044,125
3691 Manu.of jewellery and related articles		81,717,554	63,299,909	-	1,830,073	216,750	4,103,586	4,842,607	2,215,625	-	3,616,523
3693 Manu.of sports goods		8,356,679	5,883,938	-	1,584,396	-	-	368,696	-	-	519,648
3694 Manu.of toys & games		57,080,518	32,055,124	-	19,747,758	-	2,090,478	788,175	-	-	2,398,983
3699 Other manufacturing not elsewhere classified		336,569,688	201,521,934	28,000	79,779,717	1,453,404	31,217,267	2,409,228	18,768	975,100	18,508,970
372 Recycling of non-metal waste and scrap	Group Total	158,928,494	108,580,994	-	4,915,544	13,645,448	2,036,828	240,000	-	355,400	29,154,280
3720 Recycling of non-metal waste and scrap		158,928,494	108,580,994	-	4,915,544	13,645,448	2,036,828	240,000	-	355,400	29,154,280
401 Production, collection & distribution of electricity	Group Total	24,638,704,800	112,020,000	3,358,000	24,465,485,000	-	-	-	-	56,031,800	1,810,000
4010 Production, collection & distribution of electricity		24,638,704,800	112,020,000	3,358,000	24,465,485,000	-	-	-	-	56,031,800	1,810,000
402 Manu.of gas	Group Total	8,910,600	7,640,400	-	-	-	-	-	-	1,270,200	-
4020 Manu.of gas		8,910,600	7,640,400	-	-	-	-	-	-	1,270,200	-
410 Collection, purification and distribution of water	Group Total	1,684,749,026	1,669,499,407	-	12,343,167	101,396	1,730,449	350	-	42,000	1,032,257
4100 Collection, purification and distribution of water		1,684,749,026	1,669,499,407	-	12,343,167	101,396	1,730,449	350	-	42,000	1,032,257
Total		137,093,638,842	38,540,544,975	52,421,620,053	33,939,715,102	2,077,342,784	1,410,636,812	3,229,511,940	278,179,385	2,781,470,655	1,390,377,761

**Table 18 : Employment by nature of employment & sex classified by industry - 2007
(Establishments with 5 or more persons engaged)**

Type of industry		working proprietors	Working proprietors	Unpaid family workers Male	Unpaid family workers Female	Operatives Male	Operatives Female	Other employees Male	Other employees Female	Total persons engaged	
		Male (No.)	Female (No.)	(No.)	(No.)	(No.)	(No.)	(No.)	(No.)	Male (No.)	Female (No.)
141 Quarrying of stone Clay and Sand	Group Total	466	9	327	18	5,384	1,092	878	270	7,054	1,389
	1411 Quarrying of stone Clay and Sand	45	-	101	2	1,550	60	166	1	1,862	63
	1412 Braking of Granite	282	9	226	16	2,690	426	707	259	3,904	710
	1413 Quarrying of Sand & Gravel	-	-	-	-	727	50	5	10	732	60
	1414 Quarrying Of Limestone	139	-	-	-	417	556	-	-	556	556
142 Mining and Quarrying n.e.c	Group Total	2,803	-	-	-	9,827	691	2,210	54	14,840	745
	1421 Mining of chemical and Fertilizer minerals	-	-	-	-	239	-	60	9	299	9
	1422 Extraction of salt	378	-	-	-	4,853	656	1,958	27	7,189	683
	1423 Mining of precious and semi precious stones	2,425	-	-	-	4,473	-	64	-	6,962	-
	1429 Other Mining & Quarrying N.e.c	-	-	-	-	262	35	128	18	390	53
151 Produ., proce. & preserving of meat, fish,fruit, vegeta	Group Total	192	6	7	4	4,795	2,523	2,001	536	6,994	3,070
	1511 Processing and Preserving of Meat and Meat Product	4	4	-	-	1,198	512	706	139	1,908	655
	1512 Processing and Preserving of fish and fish Products	-	-	-	-	630	412	258	94	888	506
	1513 Processing & Preserving of fruits & Vegetables	46	-	4	4	311	232	343	76	703	312
	1514 Manufacture of Vegetable oils animal oils & fats	142	2	3	-	2,656	1,368	693	227	3,494	1,597
152 Manufacture of Dairy Products	Group Total	53	-	-	-	2,741	615	907	571	3,701	1,186
	1520 Manufacture of Dairy Products	53	-	-	-	2,741	615	907	571	3,701	1,186
153 Manu.of grain mill products and prepared animal feeds	Group Total	860	55	79	185	7,598	2,168	2,995	470	11,531	2,878
	1531 Manufacture of Grain Mill Products	708	55	79	185	7,084	1,712	2,835	450	10,705	2,402
	1533 Preparation of Animal food from milling waist	152	-	-	-	514	456	160	20	826	476
154 Manu.of other food products	Group Total	2,419	602	3,163	1,595	35,969	35,122	17,448	6,632	58,999	43,950
	1541 Manufacture of bakery products	849	122	1,563	581	10,398	4,559	3,661	1,736	16,472	6,998
	1542 Manufacture of Cane sugar and molasses	-	-	74	-	755	17	420	8	1,249	25
	1543 Manu.of cocoa, chocolate and sugar confectionary	365	317	80	98	1,064	3,522	284	105	1,793	4,042
	1544 Manu.of macaroni, noodles couscous and similar farinac	101	76	16	-	1,351	826	471	177	1,940	1,079
	1545 Manu.of Coffee & Soya Products for drinking	-	-	-	-	909	92	156	23	1,065	114
	1546 Manu.of tea and tea products	1,006	18	1,073	168	20,595	23,041	12,063	4,180	34,737	27,407
	1547 Manu.of chilly-power, condiments powder, proce.of spic	39	26	19	19	781	1,794	392	404	1,232	2,243
	1549 Manu.of other food products n.e.c	58	43	337	729	116	1,270	-	-	511	2,042
	155 Manu.of beverages	Group Total	24	3	-	-	2,910	314	1,712	358	4,646
1551 Manufacture of beverages		2	3	-	-	167	68	256	38	425	109
1552 Manu.of wine, bottled toddy and similar products		-	-	-	-	18	-	6	-	24	-
1553 Manu.of all other beverages such as beer and stout		-	-	-	-	132	-	194	18	326	18
1554 Manu.of beverages such as soft drinks, soda etc		22	-	-	-	2,593	247	1,256	302	3,872	549
160 Manu.of tobacco products	Group Total	142	52	38	41	1,616	2,353	404	251	2,200	2,696
	1601 Manu.of tabacco products	7	-	16	19	83	605	90	33	196	656
	1602 Manu.of Cigarette, Cigar & Beedi	112	52	22	23	1,410	657	244	106	1,787	837
	1609 Tobacco based products	24	-	-	-	123	1,091	70	112	217	1,203
171 Spinning, weaving and finishing of Textiles	Group Total	556	20	-	176	7,792	11,171	2,159	1,697	10,507	13,063
	1711 Prepa. & spinning of Textiles fibres, weaving of texti	556	20	-	176	5,403	9,236	1,181	1,363	7,140	10,794
	1712 Finishing of Textiles	-	-	-	-	2,389	1,936	979	334	3,367	2,269

(cont.)

Table 18 : Employment by nature of employment & sex classified by industry - 2007
(Establishments with 5 or more persons engaged)

Type of industry		working proprietors	Working proprietors	Unpaid family workers Male	Unpaid family workers	Operatives	Operatives	Other employees	Other employees	Total persons engaged	
		Male (No.)	Female (No.)	(No.)	Female (No.)	Male (No.)	Female (No.)	Male (No.)	Female (No.)	Male (No.)	Female (No.)
172 Manu.of other Textiles	Group Total	411	170	321	137	5,612	16,971	1,796	913	8,140	18,191
	1721 Manu.of made-up textile article, except apparel	152	3	298	36	2,409	14,583	691	651	3,550	15,273
	1722 Manu.of carpets and rugs	22	-	10	21	179	187	20	10	232	218
	1723 Manu.of Cordage, Rope, twine & netting	90	48	3	67	2,511	798	817	149	3,420	1,063
	1724 Manufacture of Sanitary Towels & Pampers	137	119	-	3	21	1,033	-	-	158	1,155
	1726 Manu. of Laces and embroidered cloths	-	-	-	-	220	306	134	59	354	365
	1727 Manu. of Labels, badges (cloth based)	-	-	-	-	242	43	134	44	375	87
	1729 Cloth and coir based other products	10	-	10	10	31	21	-	-	51	31
173 Manu.of knitted and crocheted fabrics and articles	Group Total	5	5	-	-	37,217	10,709	32,078	4,972	69,300	15,686
	1731 Manufacture of knitted Garments	-	2	-	-	33,392	3,740	29,518	3,478	62,909	7,219
	1732 Manufacture of knitted socks, purses and Hand glouses	-	-	-	-	1,610	6,137	1,258	1,038	2,868	7,174
	1733 Manufacture of Knitted Lace	-	-	-	-	278	88	134	55	412	143
	1739 Elastomeric Yarn & other rubber thread based products	5	3	-	-	1,937	745	1,169	402	3,110	1,149
181 Manu.of weaving Apparel except fur apparels	Group Total	1,776	440	107	209	64,705	267,437	29,694	30,097	96,281	298,183
	1810 Manufacture of weaving Apparel, except fur apparels	1,776	440	107	209	64,705	267,437	29,694	30,097	96,281	298,183
191 Tanning & dressing of leather; manu. of luggage, Hand b	Group Total	81	20	-	-	203	912	72	52	356	984
	1912 Manu.of luggage, hand bags	78	20	-	-	70	437	-	-	148	457
	1913 Manu. of Bags & rain coats, artificial leather product	3	-	-	-	133	475	72	52	208	527
192 Manu.of footwear	Group Total	16	2	85	117	2,390	4,204	1,034	1,225	3,525	5,547
	1920 Manufacturing of footwear	16	2	85	117	2,390	4,204	1,034	1,225	3,525	5,547
201 Saw-milling and planning of wood	Group Total	706	-	324	107	4,145	7	712	99	5,887	213
	2010 Saw-milling and planning of wood	706	-	324	107	4,145	7	712	99	5,887	213
202 Manu.of produ. of wood, cork, straw & plaiting material	Group Total	159	82	143	36	3,194	1,359	670	312	4,166	1,788
	2021 Manu. of veneer sheets, plywood, lamin board, particle	74	61	-	-	1,274	247	134	73	1,482	381
	2022 Manufacture of builders carpentry and joinery	34	-	143	-	340	-	89	-	606	-
	2024 Manu.of produ. by cork barks, wood utencils from reed,	6	-	-	-	24	273	7	23	37	296
	2025 Manu.of Household utencils of other wooden article and	25	-	-	36	1,089	819	236	155	1,350	1,010
	2028 Manu. of other office equipment & wood articles	20	20	-	-	468	20	203	61	691	102
210 Manu.of paper and paper products	Group Total	46	5	1	23	4,981	2,049	1,640	506	6,667	2,583
	2101 Manufacture of pulp, paper and paperboards	8	1	-	-	670	96	145	36	823	133
	2102 Manu.of corrugated paper & paperboard & containers of	-	-	-	-	1,523	559	639	125	2,162	684
	2103 Manufacture of cards, files, books and pads	21	4	1	6	428	241	29	31	479	282
	2104 Manu.of toys, plates, cups, spoons, knives & ornaments	-	-	-	-	11	-	7	3	18	3
	2109 Manu. of pulp paper and paper boards articles n.e.c	17	-	-	17	2,350	1,153	820	312	3,186	1,481
221 Publishing, printing and reproduction of recorded media	Group Total	2	1	-	1	29	8	3	2	34	12
	2211 Publishing of books, brochures, musical books	2	1	-	1	29	8	3	2	34	12
222 Printing & service activities related to printing for o	Group Total	219	79	39	136	8,646	2,673	4,856	1,719	13,760	4,608
	2221 Printing of newspapers, journals & periodicals for oth	219	79	9	136	7,461	1,915	4,613	1,542	12,302	3,672
	2222 Service activities related to printing	-	-	31	-	1,184	759	244	177	1,458	936
232 Manu.of refined petroleum products	Group Total	-	-	-	-	923	-	1,564	560	2,487	560
	2320 Manu. of refined petroleum products	-	-	-	-	923	-	1,564	560	2,487	560
241 Manu.of basic chemicals	Group Total	53	-	-	-	662	114	1,660	301	2,375	415
	2412 Manu. of fertilizer & nitrogen compounds	-	-	-	-	20	4	-	4	20	8
	2413 Manu. of plastic in primary forms and synthetic rubber	2	-	-	-	487	44	231	151	720	195
	2414 Manu. of Natural carbonic fertilizers	51	-	-	-	155	66	1,429	146	1,635	211

(cont.)

**Table 18 : Employment by nature of employment & sex classified by industry - 2007
(Establishments with 5 or more persons engaged)**

Type of industry		working proprietors	Working proprietors	Unpaid family workers Male	Unpaid family workers Female	Operatives Male	Operatives Female	Other employees Male	Other employees Female	Total persons engaged	
		Male (No.)	Female (No.)	(No.)	(No.)	(No.)	(No.)	(No.)	(No.)	(No.)	Male (No.)
242 Manu.of other chemical products	Group Total	57	8	198	25	5,617	2,596	5,019	1,446	10,890	4,075
	2421 Manu.of pesticides and other agro-chemical products	-	-	-	-	887	-	1,469	304	2,356	304
	2422 Manu.of paints, varnishes & similar coatings, printing	38	-	3	3	832	40	358	69	1,231	112
	2423 Manu.of pharmaceuticals, medicinal chemicals & botanica	10	8	11	19	2,315	2,137	1,706	603	4,041	2,767
	2424 Manu.of soap & detergent, cleaning, perfumies & toilet	2	-	1	-	200	127	306	128	509	254
	2425 Manu.of explosives, crackers and other firework	-	-	143	-	381	-	39	-	563	-
	2426 Manu.of mosquito-coils, camphor, naphthaline balls, inc	7	-	5	3	108	236	36	2	155	241
	2427 Manu.of processed salt (for food)	-	-	-	-	212	20	1,030	331	1,242	351
	2428 Manu.of chemicals and activated carbon	-	-	-	-	430	-	75	10	505	10
	2429 Manu.of other chemical products n.e.c	-	-	36	-	252	36	-	-	288	36
251 Manu.of rubber products	Group Total	179	53	38	-	21,636	11,559	5,865	2,206	27,717	13,819
	2511 Manu.of rubber tyres and tubes, rebuilding of rubber t	5	3	-	-	8,520	1,160	1,466	319	9,992	1,482
	2512 Manu.of rubber condoms, rubber gloves	2	-	-	-	1,691	3,722	400	528	2,093	4,249
	2513 Manu.of product from natural rubber	18	-	10	-	4,803	4,523	1,977	533	6,809	5,056
	2514 Manu.of article of rubber	75	3	-	-	3,403	605	1,533	503	5,010	1,111
	2519 Manu.of rubber products (not classified elsewhere)	79	47	28	-	3,220	1,550	487	323	3,813	1,920
252 Manu.of plastic products	Group Total	173	8	89	12	10,450	4,215	2,727	1,026	13,438	5,261
	2520 Manu.of plastic products	173	8	89	12	10,450	4,215	2,727	1,026	13,438	5,261
269 Manu.of Non metallic mineral products(Not elsewhere cla	Group Total	2,089	482	577	533	43,843	10,652	6,487	902	52,996	12,569
	2691 Manu.of non-structural non-refractory ceramic ware	-	-	26	39	2,825	2,521	533	248	3,385	2,808
	2693 Manu.of structural non refractory clay & ceramic produ	1,330	283	220	184	9,582	6,003	1,415	226	12,547	6,697
	2694 Manu.of cement lime, and plaster	5	-	-	-	695	-	98	19	798	19
	2695 Manu.of articles of concrete, cement & plaster	547	39	23	41	24,796	246	3,119	179	28,484	504
	2696 Cutting, shaping & finishing of rough stones	208	160	308	270	5,789	1,717	1,263	215	7,568	2,361
	2697 Refining of Ilmanite, surcon & refining of plumbago	-	-	-	-	-	160	20	-	20	160
	2699 Manu.of other non-metalic mineral products n.e.c	-	-	-	-	156	5	39	16	195	20
271 Manu.of basic iron & steel	Group Total	-	-	-	-	87	-	13	7	100	7
	2710 Manu.of basic iron & steel	-	-	-	-	87	-	13	7	100	7
272 Manu.of basic precious & non-ferrous metal	Group Total	-	-	-	-	80	2	23	4	103	6
	2720 Manu.of basic precious & non-ferrous metal	-	-	-	-	80	2	23	4	103	6
273 Casting of metals	Group Total	15	-	26	15	3,294	70	1,512	302	4,847	387
	2731 Casting of iron & steel	9	-	19	15	1,910	60	150	100	2,088	175
	2732 Casting of Non ferrous metals	6	-	7	-	1,383	10	1,362	202	2,758	212
281 Manu.of structural metal products, tanks, reservoirs &	Group Total	246	23	25	2	1,476	55	347	103	2,094	183
	2811 Manu.of structural metal products	224	2	25	2	962	-	115	6	1,325	9
	2812 Manu.of tanks, resorvoirs & containers of metal except	22	22	-	-	514	55	233	97	769	174
289 Manu.of other fabricated metal products	Group Total	588	93	167	5	6,480	597	2,159	259	9,395	954
	2892 Treatment & coating of metal general mechanical engine	127	1	78	2	1,477	26	302	103	1,983	132
	2893 Manu.of cutlery, hand tools & general hardware	246	-	4	2	2,170	133	186	13	2,605	147
	2894 Manu.of other brass articles	61	61	-	-	182	-	-	-	242	61
	2895 Manu.of non threaded metal products	3	2	-	-	192	40	61	30	256	71
	2896 Manu.of Metal cooking utensils, household appliances &	64	-	68	1	491	35	21	3	643	39
	2897 Manu.of Metal cables and similar articles	-	-	-	-	8	16	-	-	8	16
	2898 Manu.of Containers used for the packing or conveyance	41	-	-	-	1,071	90	1,131	6	2,243	96
	2899 Manu.of other fabricated metal products	47	30	18	-	891	258	458	104	1,415	392

(cont.)

**Table 18 : Employment by nature of employment & sex classified by industry - 2007
(Establishments with 5 or more persons engaged)**

Type of industry		working proprietors	Working proprietors	Unpaid family workers Male	Unpaid family workers Female	Operatives Male	Operatives Female	Other employees Male	Other employees Female	Total persons engaged	
		Male (No.)	Female (No.)	(No.)	(No.)	(No.)	(No.)	(No.)	(No.)	Male (No.)	Female (No.)
291 Manu.of general purpose machinery	Group Total	17	-	-	-	2,061	1,526	745	305	2,823	1,830
	2911 Manu.of engine and turbines, except aircraft, vehicle	7	-	-	-	128	-	53	-	188	-
	2912 Manu.of pumps, compressors, taps and valves	11	-	-	-	1,759	1,487	660	277	2,430	1,764
	2919 Manu.of other general purpose machinery	-	-	-	-	173	39	31	27	205	67
292 Manu.of special purpose machinery	Group Total	42	2	6	3	2,054	144	703	126	2,805	274
	2921 Manu.of agricultural & forestry machinery	42	2	6	3	1,913	3	429	88	2,390	95
	2925 Manu.of machinery for Food, beverage & tobacco proce.	-	-	-	-	20	-	5	3	25	3
	2926 Manu.of machinery for textile, apparel & leather produ	-	-	-	-	10	-	168	5	178	5
	2929 Manu.of other special purpose machinery (Not elsewhere	-	-	-	-	111	141	101	30	212	171
293 Manu.of domestic appliance n.e.c.	Group Total	14	-	14	-	794	12	87	16	909	28
	2930 Manu.of domestic appliance n.e.c.	14	-	14	-	794	12	87	16	909	28
300 Manu.of office, accounting and computing machinery	Group Total	6	-	-	-	121	4,235	483	381	610	4,616
	3000 Manu.of office, accounting and computing machinery	6	-	-	-	121	4,235	483	381	610	4,616
311 Manu.of electronic motors, generators and transformers	Group Total	-	-	-	-	831	1,744	395	156	1,225	1,900
	3110 Manu.of electric motors, generators and transformers	-	-	-	-	831	1,744	395	156	1,225	1,900
312 Manu.of electricity distribution and control apparatus	Group Total	5	4	-	-	1,645	437	234	54	1,884	494
	3120 Manu.of electricity distribution and control apparatus	5	4	-	-	1,645	437	234	54	1,884	494
313 Manu.of insulated wire and cables	Group Total	-	-	-	-	1,040	3	543	110	1,583	113
	3130 Manu.of insulated wire and cables	-	-	-	-	1,040	3	543	110	1,583	113
314 Manu.of accumulators primary cells and primary batterie	Group Total	-	-	-	-	471	95	340	58	811	153
	3140 Manu.of accumulators primary cells and primary batteri	-	-	-	-	471	95	340	58	811	153
315 Manu.of electric lamps and lighting equipments	Group Total	-	-	-	-	80	330	90	50	170	380
	3150 Manu.of electric lamps and lighting equipments	-	-	-	-	80	330	90	50	170	380
319 Manu.of other electrical equipments n.e.c.	Group Total	-	-	-	-	5	-	1	-	6	-
	3190 Manu.of other electrical equipments n.e.c	-	-	-	-	5	-	1	-	6	-
321 Manu.of electronic valves, tubes & other	Group Total	-	-	-	-	406	1,069	280	155	686	1,224
	3210 Manu.of electronic valves, tubes & other	-	-	-	-	406	1,069	280	155	686	1,224
322 Manu.of TV & Radio transmitters	Group Total	-	-	-	-	22	115	8	16	30	131
	3220 Manu.of TV & radio transmitters & apparatus for line t	-	-	-	-	22	115	8	16	30	131
323 Manu.of TV & Radio receivers, sound or vedio recording	Group Total	1	-	1	1	67	384	20	52	89	437
	3230 Manu.of TV & radio receivers sound or video recording	1	-	1	1	67	384	20	52	89	437
331 Manu.of medical appliances & instruments & appliances f	Group Total	-	6	-	-	9	-	-	12	9	18
	3313 Manu.of industrial process control equipments	-	6	-	-	9	-	-	12	9	18
332 Manu.of optical instruments and photographic equipments	Group Total	1	-	-	-	10	12	8	-	19	12
	3320 Manu.of optical instruments and photographic equipment	1	-	-	-	10	12	8	-	19	12
341 Manu.of motor vehicles	Group Total	3	1	-	-	341	-	104	4	448	5
	3410 Manu.of motor vehicles	3	1	-	-	341	-	104	4	448	5
342 Manu.of bodies for Motor vehicles, Manu. of trailers &	Group Total	4	-	5	-	336	-	225	56	569	56
	3420 Manu.of bodies for Motor vehicles, Manu. of trailers &	4	-	5	-	336	-	225	56	569	56
343 Manu.of spare parts and accessories for motor vehicles	Group Total	7	-	2	-	801	2	141	56	951	58
	3430 Manu.of spare parts and accessories for motor vehicles	7	-	2	-	801	2	141	56	951	58
351 Building and repairing of ships and boats	Group Total	27	-	22	-	2,787	1,754	855	237	3,691	1,991
	3511 Building and repairing of ships	27	-	22	-	2,272	-	744	133	3,065	133
	3512 Building and repairing of pleasure & sporting boats	-	-	-	-	515	1,754	111	104	627	1,858

(cont.)

**Table 18 : Employment by nature of employment & sex classified by industry - 2007
(Establishments with 5 or more persons engaged)**

Type of industry		working proprietors Male (No.)	Working proprietors Female (No.)	Unpaid family workers Male (No.)	Unpaid family workers Female (No.)	Operatives Male (No.)	Operatives Female (No.)	Other employees Male (No.)	Other employees Female (No.)	Total persons engaged	
										Male (No.)	Female (No.)
352 Manu.of railway and tramway locomotives and rolling stock	Group Total	-	-	-	-	178	3	12	3	190	6
	3520 Manu.of railway & tramway locomotives & rolling stock	-	-	-	-	178	3	12	3	190	6
359 Manu.of transport equipment n.e.c.	Group Total	7	1	-	1	3,120	146	408	53	3,536	200
	3591 Manu.of motorcycles & motor tricycle (three wheelers)	1	1	-	1	371	-	101	20	473	22
	3592 Manu.of bicycles & invalid carriages	-	-	-	-	2,731	146	289	21	3,021	166
	3593 Manu.of other transport equipment	6	-	-	-	18	-	18	12	42	12
361 Manu.of furniture	Group Total	73	23	39	26	10,031	878	1,735	832	11,877	1,759
	3610 Manu.of furniture	73	23	39	26	10,031	878	1,735	832	11,877	1,759
369 Manu.of other product not elsewhere classified	Group Total	155	68	33	1	5,794	15,650	1,661	997	7,643	16,716
	3691 Manu.of jewellery and related articles	6	-	32	-	728	2,179	231	138	997	2,317
	3693 Manu.of sports goods	2	-	-	-	242	359	72	49	315	408
	3694 Manu.of toys & games	-	-	2	1	184	5,222	241	142	427	5,365
	3699 Other manufacturing not elsewhere classified	148	68	-	-	4,640	7,890	1,117	668	5,904	8,626
372 Recycling of non-metal waste and scrap	Group Total	6	1	8	-	346	51	86	38	446	90
	3720 Recycling of non-metal waste and scrap	6	1	8	-	346	51	86	38	446	90
401 Production, collection & distribution of electricity	Group Total	3	-	-	-	8,612	3	4,583	1,419	13,198	1,422
	4010 Production, collection & distribution of electricity	3	-	-	-	8,612	3	4,583	1,419	13,198	1,422
402 Manu.of gas	Group Total	-	-	-	-	204	3	81	18	285	21
	4020 Manu.of gas	-	-	-	-	204	3	81	18	285	21
410 Collection, purification and distribution of water	Group Total	2	-	44	14	4,569	144	3,274	1,299	7,888	1,457
	4100 Collection, purification and distribution of water	2	-	44	14	4,569	144	3,274	1,299	7,888	1,457
Total		14,708	2,323	5,925	3,421	351,034	420,976	147,748	64,352	519,414	491,073

**Table 19 : Categories of employees by nature of employment classified by industry - 2007
(Establishments with 5 or more persons engaged)**

Type of industry		Skilled (No.)	Un skilled (No.)	Administrative (No.)	Technical (No.)	Clerical (No.)	Other (No.)
141 Quarrying of stone Clay and Sand	Group Total	1,979	4,497	86	23	61	978
	1411 Quarrying of stone Clay and Sand	90	1,520	23	1	17	126
	1412 Braking of Granite	1,789	1,327	63	22	29	852
	1413 Quarrying of Sand & Gravel	100	677	-	-	15	-
	1414 Quarrying Of Limestone	-	973	-	-	-	-
142 Mining and Quarrying n.e.c	Group Total	7,688	2,830	1,891	76	155	142
	1421 Mining of chemical and Fertilizer minerals	56	183	12	15	42	-
	1422 Extraction of salt	4,840	669	1,796	27	93	69
	1423 Mining of precious and semi precious stones	2,589	1,884	64	-	-	-
	1429 Other Mining & Quarrying N.e.c	203	94	19	34	20	73
151 Produ., proce. & preserving of meat, fish,fruit, vegeta	Group Total	5,399	1,919	645	499	812	581
	1511 Processing and Preserving of Meat and Meat Product	974	737	160	135	274	276
	1512 Processing and Preserving of fish and fish Products	530	512	76	120	56	100
	1513 Processing & Preserving of fruits & Vegetables	512	31	109	6	138	166
	1514 Manufacture of Vegetable oils animal oils & fats	3,384	640	299	238	344	39
152 Manufacture of Dairy Products	Group Total	2,563	793	534	150	410	384
	1520 Manufacture of Dairy Products	2,563	793	534	150	410	384
153 Manu.of grain mill products and prepared animal feeds	Group Total	4,723	5,043	511	391	887	1,677
	1531 Manufacture of Grain Mill Products	3,783	5,013	411	339	859	1,677
	1533 Preparation of Animal food from milling waist	940	30	100	52	28	-
154 Manu.of other food products	Group Total	44,932	26,159	4,589	5,541	7,554	6,396
	1541 Manufacture of bakery products	9,334	5,623	1,097	480	1,784	2,036
	1542 Manufacture of Cane sugar and molasses	372	400	47	320	61	-
	1543 Manu.of cocoa, chocolate and sugar confectionary	3,152	1,434	94	148	125	22
	1544 Manu.of macaroni, noodles couscous and similar farinac	1,245	932	197	103	334	14
	1545 Manu.of Coffee & Soya Products for drinking	933	67	51	4	124	-
	1546 Manu.of tea and tea products	26,364	17,272	3,009	4,363	4,829	4,042
	1547 Manu.of chilly-power, condiments powder, proce.of spic	2,176	398	94	124	297	282
	1549 Manu.of other food products n.e.c	1,355	31	-	-	-	-

(cont.)

**Table 19 : Categories of employees by nature of employment classified by industry - 2007
(Establishments with 5 or more persons engaged)**

Type of industry		Skilled (No.)	Un skilled (No.)	Administrative (No.)	Technical (No.)	Clerical (No.)	Other (No.)
155 Manu.of beverages	Group Total	1,442	1,783	534	448	547	541
	1551 Manufacture of beverages	91	144	64	51	155	23
	1552 Manu.of wine, bottled toddy and similar products	18	-	2	2	-	2
	1553 Manu.of all other beverages such as beer and stout	132	-	94	24	16	78
	1554 Manu.of beverages such as soft drinks, soda etc	1,201	1,639	374	371	376	438
160 Manu.of tobacco products	Group Total	3,401	567	250	224	128	53
	1601 Manu.of tabacco products	457	231	27	80	16	-
	1602 Manu.of Cigarette, Cigar & Beedi	1,849	218	204	19	87	40
	1609 Tobacco based products	1,096	118	19	125	25	13
171 Spinning, weaving and finishing of Textiles	Group Total	12,535	6,428	690	707	690	1,769
	1711 Prepa. & spinning of Textiles fibres, weaving of texti	9,716	4,923	504	396	287	1,357
	1712 Finishing of Textiles	2,819	1,506	186	311	403	412
172 Manu.of other Textiles	Group Total	13,683	8,900	662	852	977	218
	1721 Manu.of made-up textile article, except apparel	9,351	7,640	296	457	445	143
	1722 Manu.of carpets and rugs	220	147	10	9	12	-
	1723 Manu.of Cordage, Rope, twine & netting	2,358	951	282	251	379	54
	1724 Manufacture of Sanitary Towels & Pampers	1,054	-	-	-	-	-
	1726 Manu. of Laces and embroidered cloths	493	33	49	78	45	22
	1727 Manu. of Labels, badges (cloth based)	196	88	25	57	96	-
	1729 Cloth and coir based other products	10	41	-	-	-	-
	173 Manu.of knitted and crocheted fabrics and articles	Group Total	43,648	4,278	14,644	19,746	2,131
1731 Manufacture of knitted Garments		34,247	2,885	14,091	17,665	1,239	-
1732 Manufacture of knitted socks, purses and Hand glouses		6,630	1,117	213	1,203	647	233
1733 Manufacture of Knitted Lace		322	44	139	14	35	-
1739 Elastomeric Yarn & other rubber thread based products		2,449	232	201	863	210	297
181 Manu.of weaving Apparel except fur apparels	Group Total	256,789	75,353	8,860	25,470	11,495	13,965
	1810 Manufacture of weaving Apparel, except fur apparels	256,789	75,353	8,860	25,470	11,495	13,965
191 Tanning & dressing of leather; manu. of luggage, Hand b	Group Total	812	303	23	72	20	8
	1912 Manu.of luggage, hand bags	434	73	-	-	-	-
	1913 Manu. of Bags & rain coats, artificial leather product	378	230	23	72	20	8
192 Manu.of footwear	Group Total	4,095	2,499	539	366	507	847
	1920 Manufacturing of footwear	4,095	2,499	539	366	507	847

(cont.)

**Table 19 : Categories of employees by nature of employment classified by industry - 2007
(Establishments with 5 or more persons engaged)**

Type of industry		Skilled (No.)	Un skilled (No.)	Administrative (No.)	Technical (No.)	Clerical (No.)	Other (No.)
201 Saw-milling and planning of wood	Group Total	3,185	967	60	4	255	492
	2010 Saw-milling and planning of wood	3,185	967	60	4	255	492
202 Manu.of produ. of wood, cork, straw & plaiting material	Group Total	3,518	1,035	333	102	323	224
	2021 Manu.of veneer sheets, plywood, lamin board, particle	1,205	316	100	27	80	-
	2022 Manufacture of builders carpentry and joinery	192	148	8	18	18	46
	2024 Manu.of produ. by cork barks, wood utencils from reed,	232	66	15	9	-	7
	2025 Manu.of Household utencils of other wooden article and	1,463	444	109	48	184	49
	2028 Manu.of other office equipment & wood articles	427	61	102	-	41	122
210 Manu.of paper and paper products	Group Total	4,966	2,065	757	551	745	93
	2101 Manufacture of pulp, paper and paperboards	573	193	51	41	69	20
	2102 Manu.of corrugated paper & paperboard & containers of	1,006	1,076	244	149	306	65
	2103 Manufacture of cards, files, books and pads	605	64	21	6	27	6
	2104 Manu.of toys, plates, cups, spoons, knives & ornaments	11	-	4	-	4	2
	2109 Manu.of pulp paper and paper boards articles n.e.c	2,771	732	437	355	339	-
221 Publishing, printing and reproduction of recorded media	Group Total	33	4	1	1	2	1
	2211 Publishing of books, brochures, musical books	33	4	1	1	2	1
222 Printing & service activities related to printing for o	Group Total	8,022	3,297	1,168	2,169	2,526	713
	2221 Printing of newspapers, journals & periodicals for oth	6,676	2,700	1,083	1,895	2,464	713
	2222 Service activities related to printing	1,346	597	85	274	61	-
232 Manu.of refined petroleum products	Group Total	220	703	396	360	718	650
	2320 Manu.of refined petroleum products	220	703	396	360	718	650
241 Manu.of basic chemicals	Group Total	441	335	609	459	838	56
	2412 Manu.of fertilizer & nitrogen compounds	-	24	-	-	4	-
	2413 Manu.of plastic in primary forms and synthetic rubber	263	268	169	93	104	17
	2414 Manu.of Natural carbonic fertilizers	177	43	440	366	731	38

(cont.)

**Table 19 : Categories of employees by nature of employment classified by industry - 2007
(Establishments with 5 or more persons engaged)**

Type of industry		Skilled (No.)	Un skilled (No.)	Administrative (No.)	Technical (No.)	Clerical (No.)	Other (No.)
242 Manu.of other chemical products	Group Total	3,708	4,505	1,384	1,701	1,505	1,876
	2421 Manu.of pesticides and other agro-chemical products	76	811	735	659	329	51
	2422 Manu.of paints, varnishes & similar coatings, printing	706	166	99	64	152	111
	2423 Manu.of pharmaceuticals, medicinal chemicals & botanica	1,677	2,775	386	826	798	299
	2424 Manu.of soap & detergent, cleaning, perfumies & toilet	192	135	71	48	54	261
	2425 Manu.of explosives, crackers and other firework	264	117	-	39	-	-
	2426 Manu.of mosquito-coils, camphor, naphthaline balls, inc	211	133	-	-	11	27
	2427 Manu.of processed salt (for food)	105	127	27	59	147	1,128
	2428 Manu.of chemicals and activated carbon	189	241	66	5	14	-
	2429 Manu.of other chemical products n.e.c	288	-	-	-	-	-
251 Manu.of rubber products	Group Total	23,813	9,383	1,538	2,598	1,826	2,107
	2511 Manu.of rubber tyres and tubes, rebuilding of rubber t	7,585	2,095	667	363	490	266
	2512 Manu.of rubber condoms, rubber gloves	2,933	2,480	96	519	188	124
	2513 Manu.of product from natural rubber	7,427	1,899	359	363	479	1,309
	2514 Manu.of article of rubber	2,608	1,400	267	1,141	436	192
	2519 Manu.of rubber products (not classified elsewhere)	3,260	1,510	149	211	234	217
252 Manu.of plastic products	Group Total	7,544	7,121	869	863	1,074	948
	2520 Manu.of plastic products	7,544	7,121	869	863	1,074	948
269 Manu.of Non metallic mineral products(Not elsewhere cla	Group Total	36,069	18,426	2,012	2,459	1,743	1,176
	2691 Manu.of non-structural non-refractory ceramic ware	4,909	437	455	75	231	20
	2693 Manu.of structural non refractory clay & ceramic produ	13,398	2,188	559	258	480	344
	2694 Manu.of cement lime, and plaster	680	15	38	21	57	-
	2695 Manu.of articles of concrete, cement & plaster	10,449	14,593	543	1,829	598	328
	2696 Cutting, shaping & finishing of rough stones	6,335	1,171	397	235	367	480
	2697 Refining of Ilmanite, surcon & refining of plumbago	160	-	5	-	10	5
	2699 Manu.of other non-metalic mineral products n.e.c	138	22	14	41	-	-
271 Manu.of basic iron & steel	Group Total	42	45	8	3	8	1
	2710 Manu.of basic iron & steel	42	45	8	3	8	1
272 Manu.of basic precious & non-ferrous metal	Group Total	12	70	5	6	8	8
	2720 Manu.of basic precious & non-ferrous metal	12	70	5	6	8	8

(cont.)

**Table 19 : Categories of employees by nature of employment classified by industry - 2007
(Establishments with 5 or more persons engaged)**

Type of industry		Skilled (No.)	Un skilled (No.)	Administrative (No.)	Technical (No.)	Clerical (No.)	Other (No.)
273 Casting of metals	Group Total	2,608	756	427	326	800	262
	2731 Casting of iron & steel	1,639	331	92	73	42	44
	2732 Casting of Non ferrous metals	968	425	335	253	758	218
281 Manu.of structural metal products, tanks, reservoirs &	Group Total	1,067	464	144	68	105	134
	2811 Manu.of structural metal products	561	401	92	7	12	10
	2812 Manu.of tanks, reservoirs & containers of metal except	506	63	52	61	93	124
289 Manu.of other fabricated metal products	Group Total	5,070	2,007	374	407	1,079	559
	2892 Treatment & coating of metal general mechanical engine	1,086	417	81	89	228	7
	2893 Manu.of cutlery, hand tools & general hardware	1,778	524	91	32	43	32
	2894 Manu.of other brass articles	182	-	-	-	-	-
	2895 Manu.of non threaded metal products	200	32	7	18	43	23
	2896 Manu.of Metal cooking utensils, household appliances &	143	383	9	4	11	-
	2897 Manu.of Metal cables and similar articles	16	8	-	-	-	-
	2898 Manu.of Containers used for the packing or conveyance	851	310	95	163	529	351
	2899 Manu.of other fabricated metal products	814	335	91	101	225	145
	291 Manu.of general purpose machinery	Group Total	3,088	499	345	121	284
2911 Manu.of engine and turbines, except aircraft, vehicle		113	15	7	8	30	8
2912 Manu.of pumps, compressors, taps and valves		2,934	312	310	111	227	290
2919 Manu.of other general purpose machinery		41	172	29	1	27	1
292 Manu.of special purpose machinery	Group Total	1,314	883	226	238	235	130
	2921 Manu.of agricultural & forestry machinery	1,163	753	166	190	159	2
	2925 Manu.of machinery for Food, beverage & tobacco proce.	13	7	2	1	3	2
	2926 Manu.of machinery for textile, apparel & leather produ	3	7	13	24	10	126
	2929 Manu.of other special purpose machinery (Not elsewhere	135	117	45	23	64	-
293 Manu.of domestic appliance n.e.c.	Group Total	505	301	42	19	20	23
	2930 Manu.of domestic appliance n.e.c.	505	301	42	19	20	23
300 Manu.of office, accounting and computing machinery	Group Total	1,397	2,959	154	292	159	259
	3000 Manu.of office, accounting and computing machinery	1,397	2,959	154	292	159	259
311 Manu.of electronic motors, generators and transformers	Group Total	1,840	735	56	332	77	85
	3110 Manu.of electric motors, generators and transformers	1,840	735	56	332	77	85
312 Manu.of electricity distribution and control apparatus	Group Total	1,569	513	38	210	40	-
	3120 Manu.of electricity distribution and control apparatus	1,569	513	38	210	40	-

(cont.)

**Table 19 : Categories of employees by nature of employment classified by industry - 2007
(Establishments with 5 or more persons engaged)**

Type of industry		Skilled (No.)	Un skilled (No.)	Administrative (No.)	Technical (No.)	Clerical (No.)	Other (No.)
313 Manu.of insulated wire and cables	Group Total	815	228	262	58	293	40
	3130 Manu.of insulated wire and cables	815	228	262	58	293	40
314 Manu.of accumulators primary cells and primary batterie	Group Total	323	243	79	82	27	210
	3140 Manu.of accumulators primary cells and primary batteri	323	243	79	82	27	210
315 Manu.of electric lamps and lighting equipments	Group Total	370	40	20	-	70	50
	3150 Manu.of electric lamps and lighting equipments	370	40	20	-	70	50
319 Manu.of other electrical equipments n.e.c.	Group Total	5	-	1	-	-	-
	3190 Manu.of other electrical equipments n.e.c	5	-	1	-	-	-
321 Manu.of electronic valves, tubes & other	Group Total	683	791	92	86	65	193
	3210 Manu.of electronic valves, tubes & other	683	791	92	86	65	193
322 Manu.of TV & Radio transmitters	Group Total	111	26	8	6	6	4
	3220 Manu.of TV & radio transmitters & apparatus for line t	111	26	8	6	6	4
323 Manu.of TV & Radio receivers, sound or vedio recording	Group Total	360	91	17	32	17	7
	3230 Manu.of TV & radio receivers sound or video recording	360	91	17	32	17	7
331 Manu.of medical appliances & instruments & appliances f	Group Total	9	-	-	-	12	-
	3313 Manu.of industrial process control equipments	9	-	-	-	12	-
332 Manu.of optical instruments and photographic equipments	Group Total	22	-	2	1	5	-
	3320 Manu.of optical instruments and photographic equipment	22	-	2	1	5	-
341 Manu.of motor vehicles	Group Total	327	14	78	8	12	10
	3410 Manu.of motor vehicles	327	14	78	8	12	10
342 Manu.of bodies for Motor vehicles, Manu. of trailers &	Group Total	286	51	34	58	103	86
	3420 Manu.of bodies for Motor vehicles, Manu. of trailers &	286	51	34	58	103	86
343 Manu.of spare parts and accessories for motor vehicles	Group Total	772	31	73	28	78	18
	3430 Manu.of spare parts and accessories for motor vehicles	772	31	73	28	78	18
351 Building and repairing of ships and boats	Group Total	3,167	1,374	390	358	286	59
	3511 Building and repairing of ships	1,899	373	315	276	233	54
	3512 Building and repairing of pleasure & sporting boats	1,268	1,001	75	83	53	5
352 Manu.of railway and tramway locomatives and rolling sto	Group Total	168	13	2	9	2	2
	3520 Manu.of railway & tramway locomatives & rolling stock	168	13	2	9	2	2
359 Manu.of transport equipment n.e.c.	Group Total	2,619	647	133	88	142	99
	3591 Manu.of motorcycles & motor tricycle (three wheelers)	251	120	33	4	64	20
	3592 Manu.of bicycles & invalid carriages	2,362	515	94	84	66	67
	3593 Manu.of other transport equipment	6	12	6	-	12	12

(cont.)

**Table 19 : Categories of employees by nature of employment classified by industry - 2007
(Establishments with 5 or more persons engaged)**

Type of industry		Skilled (No.)	Un skilled (No.)	Administrative (No.)	Technical (No.)	Clerical (No.)	Other (No.)
361 Manu.of furniture	Group Total	8,161	2,748	381	387	889	909
	3610 Manu.of furniture	8,161	2,748	381	387	889	909
369 Manu.of other product not elsewhere classified	Group Total	14,985	6,459	750	593	861	454
	3691 Manu.of jewellery and related articles	2,446	461	61	150	65	94
	3693 Manu.of sports goods	331	270	19	43	15	43
	3694 Manu.of toys & games	4,873	533	73	72	111	126
	3699 Other manufacturing not elsewhere classified	7,335	5,195	597	328	670	190
372 Recycling of non-metal waste and scrap	Group Total	363	34	19	15	66	24
	3720 Reycling of non-metal waste and scrap	363	34	19	15	66	24
401 Production, collection & distribution of electricity	Group Total	4,026	4,589	958	994	2,683	1,367
	4010 Production, collection & distribution of electricity	4,026	4,589	958	994	2,683	1,367
402 Manu.of gas	Group Total	-	207	33	9	57	-
	4020 Manu.of gas	-	207	33	9	57	-
410 Collection, purification and distribution of water	Group Total	2,973	1,740	1,347	698	1,110	1,419
	4100 Collection, purification and distribution of water	2,973	1,740	1,347	698	1,110	1,419
Total		554,262	217,748	50,079	71,364	47,526	43,131

**Table 20 : Earning of employees by nature of employment classified by industry - 2007
(Establishments with 5 or more persons engaged)**

Type of industry		Salaries & Wages (Rs.)					
		Skilled	Unskilled	Administrative	Technical	Clerical	Other
141 Quarrying of stone Clay and Sand	Group Total	166,761,500	464,503,840	11,498,000	3,024,000	6,996,000	84,466,000
	1411 Quarrying of stone Clay and Sand	3,888,000	69,447,000	2,630,000	300,000	2,676,000	14,328,000
	1412 Braking of Granite	147,873,500	153,927,640	8,868,000	2,724,000	2,520,000	70,138,000
	1413 Quarrying of Sand & Gravel	15,000,000	121,033,200	-	-	1,800,000	-
	1414 Quarrying Of Limestone	-	120,096,000	-	-	-	-
142 Mining and Quarrying n.e.c	Group Total	303,554,594	161,218,986	736,092,047	14,770,904	25,920,925	22,530,652
	1421 Mining of chemical and Fertilizer minerals	12,123,780	34,831,410	5,304,840	3,517,110	8,704,200	-
	1422 Extraction of salt	100,754,520	24,251,940	712,969,400	4,100,220	13,161,780	9,489,240
	1423 Mining of precious and semi precious stones	149,677,333	82,613,333	2,702,000	-	-	-
	1429 Other Mining & Quarrying N.e.c	40,998,961	19,522,303	15,115,807	7,153,574	4,054,945	13,041,412
151 Produ., proce. & preserving of meat, fish,fruit, vegeta	Group Total	461,990,259	226,557,478	206,621,357	99,244,128	117,719,141	95,635,546
	1511 Processing and Preserving of Meat and Meat Product	9,637,699	131,232,105	26,558,034	14,826,174	29,702,904	43,848,302
	1512 Processing and Preserving of fish and fish Products	61,976,000	59,845,240	83,134,040	40,080,132	29,137,024	26,843,226
	1513 Processing & Preserving of fruits & Vegetables	49,665,948	549,144	37,145,976	1,241,022	15,010,702	17,053,672
	1514 Manufacture of Vegetable oils animal oils & fats	340,710,612	34,930,989	59,783,306	43,096,800	43,868,511	7,890,346
152 Manufacture of Dairy Products	Group Total	576,507,127	101,115,264	235,172,213	20,004,234	65,864,609	52,401,621
	1520 Manufacture of Dairy Products	576,507,127	101,115,264	235,172,213	20,004,234	65,864,609	52,401,621
153 Manu.of grain mill products and prepared animal feeds	Group Total	565,332,217	589,775,289	151,949,268	110,961,180	149,779,050	268,257,260
	1531 Manufacture of Grain Mill Products	466,909,017	575,783,289	105,311,268	86,709,180	136,721,050	268,257,260
	1533 Preparation of Animal food from milling waist	98,423,200	13,992,000	46,638,000	24,252,000	13,058,000	-
154 Manu.of other food products	Group Total	3,876,708,587	2,365,327,895	1,394,601,364	1,099,864,088	1,175,543,703	752,783,156
	1541 Manufacture of bakery products	920,154,300	573,639,912	331,572,506	107,242,381	283,250,552	224,233,862
	1542 Manufacture of Cane sugar and molasses	42,613,464	47,697,420	8,566,396	57,963,472	13,258,360	-
	1543 Manu.of cocoa, chocolate and sugar confectionary	476,710,360	350,128,903	33,212,361	23,278,336	17,270,996	1,690,365
	1544 Manu.of macaroni, noodles couscous and similar farinac	118,760,541	78,906,258	35,342,581	12,174,990	34,801,661	1,176,357
	1545 Manu.of Coffee & Soya Products for drinking	165,589,916	4,668,024	16,804,000	348,240	20,234,737	-
	1546 Manu.of tea and tea products	2,010,124,056	1,291,181,650	951,331,727	886,718,755	773,727,997	499,936,629
	1547 Manu.of chilly-power, condiments powder, proce.of spic	102,512,149	17,431,729	17,771,793	12,137,913	32,999,401	25,745,944
	1549 Manu.of other food products n.e.c	40,243,800	1,674,000	-	-	-	-
155 Manu.of beverages	Group Total	324,873,636	177,751,068	139,334,787	75,308,566	96,685,665	28,716,686
	1551 Manufacture of beverages	20,670,186	20,809,633	34,299,130	15,877,391	30,898,471	2,777,476
	1552 Manu.of wine, bottled toddy and similar products	578,184	-	321,120	264,000	-	264,000
	1553 Manu.of all other beverages such as beer and stout	15,840,000	-	33,840,000	5,760,000	1,920,000	4,680,000
	1554 Manu.of beverages such as soft drinks, soda etc	287,785,266	156,941,435	70,874,537	53,407,175	63,867,194	20,995,209

(cont.)

**Table 20 : Earning of employees by nature of employment classified by industry - 2007
(Establishments with 5 or more persons engaged)**

Type of industry		Salaries & Wages (Rs.)					
		Skilled	Unskilled	Administrative	Technical	Clerical	Other
160 Manu.of tobacco products	Group Total	556,830,993	45,995,145	548,036,674	52,224,236	31,471,075	4,756,067
	1601 Manu.of tabacco products	77,986,000	20,764,000	10,559,315	28,920,000	2,880,000	-
	1602 Manu.of Cigarette, Cigar & Beedi	290,898,252	8,709,436	534,219,158	1,868,704	24,303,969	2,526,772
	1609 Tobacco based products	187,946,741	16,521,709	3,258,201	21,435,532	4,287,106	2,229,295
171 Spinning, weaving and finishing of Textiles	Group Total	1,145,901,619	526,667,061	192,203,728	206,172,959	105,936,006	107,216,719
	1711 Prepa. & spinning of Textiles fibres, weaving of texti	871,046,107	382,560,679	109,943,672	94,607,984	35,728,172	77,893,947
	1712 Finishing of Textiles	274,855,511	144,106,382	82,260,056	111,564,975	70,207,834	29,322,772
172 Manu.of other Textiles	Group Total	1,179,214,852	670,577,423	232,128,776	189,877,352	132,078,144	21,415,823
	1721 Manu.of made-up textile article, except apparel	729,055,896	515,266,760	60,589,936	75,440,315	38,123,353	11,302,679
	1722 Manu.of carpets and rugs	20,725,157	12,855,035	5,345,546	1,535,294	1,580,375	-
	1723 Manu.of Cordage, Rope, twine & netting	289,036,754	126,659,281	139,452,566	79,108,414	65,652,080	5,497,144
	1724 Manufacture of Sanitary Towels & Pampers	60,510,000	-	-	-	-	-
	1726 Manu. of Laces and embroidered cloths	49,472,648	2,274,985	15,587,322	17,276,331	7,647,164	4,616,000
	1727 Manu. of Labels, badges (cloth based)	29,430,397	9,585,362	11,153,406	16,516,997	19,075,172	-
	1729 Cloth and coir based other products	984,000	3,936,000	-	-	-	-
173 Manu.of knitted and crocheted fabrics and articles	Group Total	16,475,985,986	560,917,064	10,428,095,208	10,962,559,793	815,765,207	87,648,933
	1731 Manufacture of knitted Garments	15,056,066,269	397,904,182	10,119,197,967	10,329,162,460	622,038,920	-
	1732 Manufacture of knitted socks, purses and Hand glouses	940,759,951	133,490,802	73,630,518	263,829,217	143,549,770	40,074,189
	1733 Manufacture of Knitted Lace	38,691,429	3,964,286	41,757,143	2,537,143	6,342,857	-
	1739 Elastomeric Yarn & other rubber thread based products	440,468,338	25,557,794	193,509,580	367,030,973	43,833,660	47,574,744
181 Manu.of weaving Apparel except fur apparels	Group Total	26,618,703,883	7,320,271,855	3,890,996,982	6,065,909,410	1,859,455,642	1,616,946,258
	1810 Manufacture of weaving Apparel, except fur apparels	26,618,703,883	7,320,271,855	3,890,996,982	6,065,909,410	1,859,455,642	1,616,946,258
191 Tanning & dressing of leather; manu. of luggage, Hand b	Group Total	75,968,700	21,192,350	9,261,000	17,436,500	3,544,000	1,524,000
	1912 Manu.of luggage, hand bags	30,525,000	510,000	-	-	-	-
	1913 Manu. of Bags & rain coats, artificial leather product	45,443,700	20,682,350	9,261,000	17,436,500	3,544,000	1,524,000
192 Manu.of footwear	Group Total	611,432,261	222,643,439	101,494,698	93,293,533	59,805,685	61,521,729
	1920 Manufacturing of footwear	611,432,261	222,643,439	101,494,698	93,293,533	59,805,685	61,521,729
201 Saw-milling and planning of wood	Group Total	367,022,988	95,469,173	10,032,400	936,000	18,168,200	64,185,656
	2010 Saw-milling and planning of wood	367,022,988	95,469,173	10,032,400	936,000	18,168,200	64,185,656
202 Manu.of produ. of wood, cork, straw & plaiting material	Group Total	299,408,943	55,241,267	63,623,115	11,530,926	29,782,951	20,084,000
	2021 Manu.of veneer sheets, plywood, lamin board, particle	133,661,957	19,147,002	14,949,232	2,016,006	7,594,943	-
	2022 Manufacture of builders carpentry and joinery	22,418,400	6,919,500	686,000	2,250,000	1,816,000	3,596,000
	2024 Manu.of produ. by cork barks, wood utencils from reed,	3,974,081	1,225,983	2,697,000	1,602,000	-	1,260,000
	2025 Manu.of Household utencils of other wooden article and	102,195,257	23,007,782	29,260,083	5,662,920	16,956,008	5,712,000
	2028 Manu.of other office equipment & wood articles	37,159,248	4,941,000	16,030,800	-	3,416,000	9,516,000

(cont.)

Table 20 : Earning of employees by nature of employment classified by industry - 2007
(Establishments with 5 or more persons engaged)

Type of industry		Salaries & Wages (Rs.)					
		Skilled	Unskilled	Administrative	Technical	Clerical	Other
210 Manu.of paper and paper products	Group Total	930,720,662	220,659,111	423,806,783	147,791,733	130,009,326	53,446,706
	2101 Manufacture of pulp, paper and paperboards	71,334,359	18,493,350	11,398,890	11,303,647	13,294,827	2,293,622
	2102 Manu.of corrugated paper & paperboard & containers of	167,876,928	75,415,761	100,319,200	29,159,534	47,657,498	50,268,111
	2103 Manufacture of cards, files, books and pads	59,529,061	6,480,000	3,166,693	828,552	4,057,131	748,473
	2104 Manu.of toys, plates, cups, spoons, knives & ornaments	713,175	-	222,000	-	309,870	136,500
2109 Manu.of pulp paper and paper boards articles n.e.c	631,267,139	120,270,000	308,700,000	106,500,000	64,690,000	-	
221 Publishing, printing and reproduction of recorded media	Group Total	2,584,725	401,000	284,000	216,000	228,000	102,500
	2211 Publishing of books, brochures, musical books	2,584,725	401,000	284,000	216,000	228,000	102,500
222 Printing & service activities related to printing for o	Group Total	1,515,500,565	330,055,256	585,428,917	769,730,258	684,958,530	69,387,270
	2221 Printing of newspapers, journals & periodicals for oth	1,377,802,438	288,843,724	545,556,211	727,396,180	679,083,330	69,387,270
	2222 Service activities related to printing	137,698,127	41,211,533	39,872,705	42,334,078	5,875,200	-
232 Manu.of refined petroleum products	Group Total	88,147,200	252,543,600	488,411,972	354,434,800	340,428,000	392,184,000
	2320 Manu.of refined petroleum products	88,147,200	252,543,600	488,411,972	354,434,800	340,428,000	392,184,000
241 Manu.of basic chemicals	Group Total	69,018,544	43,384,053	251,907,471	106,069,329	99,665,022	6,249,887
	2412 Manu.of fertilizer & nitrogen compounds	-	1,727,968	-	-	603,656	-
	2413 Manu.of plastic in primary forms and synthetic rubber	43,688,118	36,065,765	43,676,471	28,302,353	21,070,824	1,048,235
	2414 Manu.of Natural carbonic fertilizers	25,330,426	5,590,320	208,231,000	77,766,976	77,990,542	5,201,652
242 Manu.of other chemical products	Group Total	634,812,769	1,185,942,591	857,536,110	721,194,107	416,408,760	153,799,175
	2421 Manu.of pesticides and other agro-chemical products	50,758,703	541,426,229	490,667,527	439,908,849	219,954,387	33,839,152
	2422 Manu.of paints, varnishes & similar coatings, printing	160,409,721	16,218,598	56,419,198	18,602,379	19,062,096	6,183,107
	2423 Manu.of pharmaceuticals, medicinal chemicals & botanica	290,816,500	563,148,652	265,670,996	238,776,417	145,400,599	41,900,913
	2424 Manu.of soap & detergent, cleaning, perfumies & toilet	18,551,418	17,722,482	16,518,730	8,071,697	7,629,573	32,572,063
	2425 Manu.of explosives, crackers and other firework	19,410,000	8,424,000	-	4,680,000	-	-
	2426 Manu.of mosquito-coils, camphor, naphthaline balls, inc	17,022,500	5,077,743	-	-	810,000	2,056,500
	2427 Manu.of processed salt (for food)	7,264,770	3,006,780	2,890,919	9,920,479	21,029,767	37,247,440
	2428 Manu.of chemicals and activated carbon	39,259,158	30,918,108	25,368,740	1,234,286	2,522,338	-
	2429 Manu.of other chemical products n.e.c	31,320,000	-	-	-	-	-
251 Manu.of rubber products	Group Total	2,872,541,075	947,841,265	729,043,505	477,080,262	296,926,670	222,976,520
	2511 Manu.of rubber tyres and tubes, rebuilding of rubber t	1,033,875,575	275,976,199	297,220,989	122,909,297	94,954,652	26,358,614
	2512 Manu.of rubber condoms, rubber gloves	125,811,916	156,087,812	33,609,117	61,305,201	29,617,050	6,727,272
	2513 Manu.of product from natural rubber	658,677,729	171,593,144	244,618,465	72,150,494	68,920,100	145,016,280
	2514 Manu.of article of rubber	304,535,953	155,980,384	70,818,163	159,325,706	58,237,292	24,892,037
	2519 Manu.of rubber products (not classified elsewhere)	749,639,902	188,203,725	82,776,771	61,389,564	45,197,576	19,982,318
252 Manu.of plastic products	Group Total	943,660,465	720,756,541	461,953,367	206,115,872	182,679,890	107,075,548
	2520 Manu.of plastic products	943,660,465	720,756,541	461,953,367	206,115,872	182,679,890	107,075,548

(cont.)

Table 20 : Earning of employees by nature of employment classified by industry - 2007
(Establishments with 5 or more persons engaged)

Type of industry		Salaries & Wages (Rs.)					
		Skilled	Unskilled	Administrative	Technical	Clerical	Other
269 Manu.of Non metallic mineral products(Not elsewhere cla	Group Total	3,971,167,646	1,878,292,430	594,209,068	689,614,283	274,404,729	183,168,935
	2691 Manu.of non-structural non-refractory ceramic ware	733,220,887	24,863,519	149,547,789	20,073,888	31,893,010	5,476,080
	2693 Manu.of structural non refractory clay & ceramic produ	819,042,816	219,247,466	140,338,769	46,104,848	94,680,685	52,913,274
	2694 Manu.of cement lime, and plaster	123,946,019	990,000	28,693,355	12,110,132	20,868,030	-
	2695 Manu.of articles of concrete, cement & plaster	1,256,036,716	1,521,103,202	169,114,909	543,340,808	77,361,798	58,054,110
	2696 Cutting, shaping & finishing of rough stones	1,004,527,075	107,435,191	96,394,631	58,339,427	47,561,207	66,005,471
	2697 Refining of Ilmanite, surcon & refining of plumbago	13,440,000	-	1,800,000	-	2,040,000	720,000
	2699 Manu.of other non-metalic mineral products n.e.c	20,954,133	4,653,052	8,319,614	9,645,180	-	-
271 Manu.of basic iron & steel	Group Total	5,040,000	4,860,000	2,400,000	684,000	1,536,000	180,000
	2710 Manu.of basic iron & steel	5,040,000	4,860,000	2,400,000	684,000	1,536,000	180,000
272 Manu.of basic precious & non-ferrous metal	Group Total	1,056,000	6,156,000	1,788,000	1,080,000	768,000	624,000
	2720 Manu.of basic precious & non-ferrous metal	1,056,000	6,156,000	1,788,000	1,080,000	768,000	624,000
273 Casting of metals	Group Total	364,386,183	86,917,343	242,894,881	89,903,925	136,864,433	43,365,043
	2731 Casting of iron & steel	155,345,980	35,791,201	27,606,083	17,362,983	5,939,060	7,302,857
	2732 Casting of Non ferrous metals	209,040,202	51,126,142	215,288,798	72,540,942	130,925,373	36,062,186
281 Manu.of structural metal products, tanks, reservoirs &	Group Total	159,574,697	52,236,669	35,139,400	16,400,600	12,181,800	12,568,333
	2811 Manu.of structural metal products	93,342,156	44,850,660	17,742,000	768,000	957,000	747,000
	2812 Manu.of tanks, resorvoirs & containers of metal except	66,232,541	7,386,009	17,397,400	15,632,600	11,224,800	11,821,333
289 Manu.of other fabricated metal products	Group Total	546,430,591	142,366,297	140,545,763	127,897,724	98,144,901	46,196,544
	2892 Treatment & coating of metal general mechanical engine	105,451,803	39,969,900	23,095,384	18,382,000	31,967,233	-
	2893 Manu.of cutlery, hand tools & general hardware	193,723,046	31,510,042	38,441,343	6,982,868	2,726,605	1,056,144
	2894 Manu.of other brass articles	2,468,400	-	-	-	-	-
	2895 Manu.of non threaded metal products	18,473,138	3,060,000	2,036,667	2,309,667	4,978,333	2,685,333
	2896 Manu.of Metal cooking utensils, household appliances &	11,395,000	11,285,737	1,210,000	700,400	1,059,167	-
	2897 Manu.of Metal cables and similar articles	880,000	528,000	-	-	-	-
	2898 Manu.of Containers used for the packing or conveyance	91,744,000	24,591,246	37,705,621	57,117,509	21,969,455	21,080,000
291 Manu.of general purpose machinery	Group Total	367,550,766	51,914,124	95,619,957	42,552,941	74,557,867	37,848,194
	2911 Manu.of engine and turbines, except aircraft, vehicle	44,000,000	5,266,667	5,666,667	5,666,667	10,800,000	481,312
	2912 Manu.of pumps, compressors, taps and valves	320,909,566	35,148,706	89,553,290	36,742,275	61,602,667	37,270,882
	2919 Manu.of other general purpose machinery	2,641,200	11,498,751	400,000	144,000	2,155,200	96,000

(cont.)

**Table 20 : Earning of employees by nature of employment classified by industry - 2007
(Establishments with 5 or more persons engaged)**

Type of industry		Salaries & Wages (Rs.)					
		Skilled	Unskilled	Administrative	Technical	Clerical	Other
292 Manu.of special purpose machinery	Group Total	165,133,747	97,900,154	126,066,066	74,474,965	46,917,073	30,589,876
	2921 Manu.of agricultural & forestry machinery	122,243,663	71,729,126	75,160,638	53,102,525	23,907,973	144,000
	2925 Manu.of machinery for Food, beverage & tobacco proce.	1,728,000	720,000	660,000	198,000	570,000	160,000
	2926 Manu.of machinery for textile, apparel & leather produ	730,656	1,664,628	7,800,000	6,183,012	2,595,900	30,285,876
	2929 Manu.of other special purpose machinery (Not elsewhere	40,431,429	23,786,400	42,445,429	14,991,429	19,843,200	-
293 Manu.of domestic appliance n. e.c.	Group Total	80,486,004	20,343,000	29,212,680	4,164,160	3,240,000	2,939,192
	2930 Manu.of domestic appliance n.e.c.	80,486,004	20,343,000	29,212,680	4,164,160	3,240,000	2,939,192
300 Manu.of office, accounting and computing machinery	Group Total	169,446,338	226,899,130	90,478,978	68,316,000	24,907,265	20,979,537
	3000 Manu.of office, accounting and computing machinery	169,446,338	226,899,130	90,478,978	68,316,000	24,907,265	20,979,537
311 Manu.of electronic motors, generators and transformers	Group Total	232,767,533	60,946,310	37,660,826	70,917,211	13,221,983	7,585,753
	3110 Manu.of electric motors, generators and transformers	232,767,533	60,946,310	37,660,826	70,917,211	13,221,983	7,585,753
312 Manu.of electricity distribution and control apparatus	Group Total	168,542,237	50,361,965	36,128,053	70,127,936	10,690,903	-
	3120 Manu.of electricity distribution and control apparatus	168,542,237	50,361,965	36,128,053	70,127,936	10,690,903	-
313 Manu.of insulated wire and cables	Group Total	84,482,723	19,400,000	78,500,000	14,000,000	63,360,000	1,000,000
	3130 Manu.of insulated wire and cables	84,482,723	19,400,000	78,500,000	14,000,000	63,360,000	1,000,000
314 Manu.of accumulators primary cells and primary batterie	Group Total	76,501,800	48,299,440	81,941,440	46,583,000	8,266,000	123,716,800
	3140 Manu.of accumulators primary cells and primary batteri	76,501,800	48,299,440	81,941,440	46,583,000	8,266,000	123,716,800
315 Manu.of electric lamps and lighting equipments	Group Total	28,730,520	3,341,270	5,320,490	-	6,523,730	1,930,670
	3150 Manu.of electric lamps and lighting equipments	28,730,520	3,341,270	5,320,490	-	6,523,730	1,930,670
319 Manu.of other electrical equipments n.e.c.	Group Total	210,000	-	45,000	-	-	-
	3190 Manu.of other electrical equipments n.e.c	210,000	-	45,000	-	-	-
321 Manu.of electronic valves, tubes & other	Group Total	82,493,639	79,036,482	75,104,949	28,744,073	10,065,120	33,314,749
	3210 Manu.of electronic valves, tubes & other	82,493,639	79,036,482	75,104,949	28,744,073	10,065,120	33,314,749
322 Manu.of TV & Radio transmitters	Group Total	12,080,000	2,121,600	864,000	684,000	576,000	240,000
	3220 Manu.of TV & radio transmitters & apparatus for line t	12,080,000	2,121,600	864,000	684,000	576,000	240,000
323 Manu.of TV & Radio receivers, sound or vedio recording	Group Total	39,763,200	7,540,800	6,192,000	6,282,032	2,202,000	888,000
	3230 Manu.of TV & radio receivers sound or video recording	39,763,200	7,540,800	6,192,000	6,282,032	2,202,000	888,000
331 Manu.of medical appliances & instruments & appliances f	Group Total	1,140,840	-	-	-	1,080,000	-
	3313 Manu.of industrial process control equipments	1,140,840	-	-	-	1,080,000	-
332 Manu.of optical instruments and photographic equipments	Group Total	1,848,000	-	300,000	-	260,000	-
	3320 Manu.of optical instruments and photographic equipment	1,848,000	-	300,000	-	260,000	-
341 Manu.of motor vehicles	Group Total	32,509,104	1,243,920	14,567,463	891,312	1,256,340	855,698
	3410 Manu.of motor vehicles	32,509,104	1,243,920	14,567,463	891,312	1,256,340	855,698
342 Manu.of bodies for Motor vehicles, Manu. of trailers &	Group Total	42,276,380	5,649,073	5,760,735	10,304,290	19,695,792	13,607,461
	3420 Manu.of bodies for Motor vehicles, Manu. of trailers &	42,276,380	5,649,073	5,760,735	10,304,290	19,695,792	13,607,461

(cont.)

Table 20 : Earning of employees by nature of employment classified by industry - 2007
(Establishments with 5 or more persons engaged)

Type of industry		Salaries & Wages (Rs.)					
		Skilled	Unskilled	Administrative	Technical	Clerical	Other
343 Manu.of spare parts and accessories for motor vehicles	Group Total	162,888,618	2,574,000	25,090,626	4,452,000	23,373,740	1,700,200
	3430 Manu.of spare parts and accessories for motor vehicles	162,888,618	2,574,000	25,090,626	4,452,000	23,373,740	1,700,200
351 Building and repairing of ships and boats	Group Total	1,092,486,762	133,618,718	447,040,762	274,144,291	100,043,755	10,996,868
	3511 Building and repairing of ships	934,135,140	52,364,337	412,993,000	254,240,000	94,842,784	10,620,000
	3512 Building and repairing of pleasure & sporting boats	158,351,622	81,254,381	34,047,762	19,904,291	5,200,971	376,868
352 Manu.of railway and tramway locomotives and rolling sto	Group Total	14,112,000	780,000	720,000	1,866,000	360,000	120,000
	3520 Manu.of railway & tramway locomotives & rolling stock	14,112,000	780,000	720,000	1,866,000	360,000	120,000
359 Manu.of transport equipment n.e.c.	Group Total	307,058,697	52,257,176	75,343,864	13,507,873	22,283,655	7,968,117
	3591 Manu.of motorcycles & motor tricycle (three wheelers)	35,444,840	3,450,360	20,958,600	108,000	11,753,000	1,470,000
	3592 Manu.of bicycles & invalid carriages	271,181,857	48,362,816	53,665,264	13,399,873	9,942,655	5,346,117
	3593 Manu.of other transport equipment	432,000	444,000	720,000	-	588,000	1,152,000
361 Manu.of furniture	Group Total	663,605,202	207,881,252	185,160,501	93,125,866	134,348,726	121,110,393
	3610 Manu.of furniture	663,605,202	207,881,252	185,160,501	93,125,866	134,348,726	121,110,393
369 Manu.of other product not elsewhere classified	Group Total	1,509,485,902	436,311,245	241,856,954	98,411,890	108,252,503	56,049,989
	3691 Manu.of jewellery and related articles	331,683,168	49,236,752	27,107,735	34,244,350	12,688,150	13,938,860
	3693 Manu.of sports goods	34,396,667	21,839,333	7,140,000	8,613,333	2,448,000	13,461,053
	3694 Manu.of toys & games	439,191,844	37,816,080	33,513,294	12,106,552	16,642,270	10,375,692
	3699 Other manufacturing not elsewhere classified	704,214,223	327,419,080	174,095,924	43,447,655	76,474,083	18,274,384
372 Recycling of non-metal waste and scrap	Group Total	38,474,472	3,830,000	9,604,000	3,440,000	9,608,640	1,440,000
	3720 Recycling of non-metal waste and scrap	38,474,472	3,830,000	9,604,000	3,440,000	9,608,640	1,440,000
401 Production, collection & distribution of electricity	Group Total	1,882,107,750	1,636,352,400	2,467,698,760	689,279,840	1,444,284,000	651,607,888
	4010 Production, collection & distribution of electricity	1,882,107,750	1,636,352,400	2,467,698,760	689,279,840	1,444,284,000	651,607,888
402 Manu.of gas	Group Total	-	21,960,000	21,780,000	1,620,000	10,260,000	-
	4020 Manu.of gas	-	21,960,000	21,780,000	1,620,000	10,260,000	-
410 Collection, purification and distribution of water	Group Total	1,270,770,434	553,167,509	924,007,191	349,857,801	465,666,876	726,425,094
	4100 Collection, purification and distribution of water	1,270,770,434	553,167,509	924,007,191	349,857,801	465,666,876	726,425,094
Total		74,237,791,934	23,201,366,321	28,248,556,144	24,699,078,182	9,975,022,034	6,434,329,047

Table 21: Salaries per employee by nature of employment & industry - 2007
(Establishments with 5 or more persons engaged)

Type of industry	Salaries per skilled operatives	Salaries per unskilled operatives	Salaries per administrative employee	Salaries per technical employee	Salaries per clerical employee	Salaries per other employee
1411 Quarrying of stone Clay and Sand	43,200	45,689	114,348	300,000	157,412	113,714
1412 Braking of Granite	82,657	115,997	140,762	123,818	86,897	82,322
1413 Quarrying of Sand & Gravel	150,000	178,779	.	.	120,000	.
1414 Quarrying Of Limestone	.	123,429
1421 Mining of chemical and Fertilizer minerals	216,496	190,336	442,070	234,474	207,243	.
1422 Extraction of salt	20,817	36,251	396,976	151,860	141,525	137,525
1423 Mining of precious and semi precious stones	57,813	43,850	42,219	.	.	.
1429 Other Mining & Quarrying N.e.c	201,965	207,684	795,569	210,399	202,747	178,649
1511 Processing and Preserving of Meat and Meat Product	9,895	178,063	165,988	109,824	108,405	158,871
1512 Processing and Preserving of fish and fish Products	116,936	116,885	1,093,869	334,001	520,304	268,432
1513 Processing & Preserving of fruits & Vegetables	97,004	17,714	340,789	206,837	108,773	102,733
1514 Manufacture of Vegetable oils animal oils & fats	100,683	54,580	199,944	181,079	127,525	202,317
1520 Manufacture of Dairy Products	224,935	127,510	440,397	133,362	160,645	136,463
1531 Manufacture of Grain Mill Products	123,423	114,858	256,232	255,779	159,163	159,963
1533 Preparation of Animal food from milling waist	104,706	466,400	466,380	466,385	466,357	.
1541 Manufacture of bakery products	98,581	102,017	302,254	223,422	158,773	110,135
1542 Manufacture of Cane sugar and molasses	114,552	119,244	182,264	181,136	217,350	.
1543 Manu.of cocoa, chocolate and sugar confectionary	151,241	244,162	353,323	157,286	138,168	76,835
1544 Manu.of macaroni, noodles couscous and similar farinac	95,390	84,663	179,404	118,204	104,197	84,026
1545 Manu.of Coffee & Soya Products for drinking	177,481	69,672	329,490	87,060	163,183	.
1546 Manu.of tea and tea products	76,245	74,756	316,162	203,236	160,225	123,685
1547 Manu.of chilly-power, condiments powder, proce.of spic	47,110	43,798	189,062	97,886	111,109	91,298
1549 Manu.of other food products n.e.c	29,700	54,000
1551 Manufacture of beverages	227,145	144,511	535,924	311,321	199,345	120,760
1552 Manu.of wine, bottled toddy and similar products	32,121	.	160,560	132,000	.	132,000
1553 Manu.of all other beverages such as beer and stout	120,000	.	360,000	240,000	120,000	60,000
1554 Manu.of beverages such as soft drinks, soda etc	239,621	95,754	189,504	143,955	169,860	47,934

(cont.)

Table 21: Salaries per employee by nature of employment & industry - 2007
(Establishments with 5 or more persons engaged)

Type of industry	Salaries per skilled operatives	Salaries per unskilled operatives	Salaries per administrative employee	Salaries per technical employee	Salaries per clerical employee	Salaries per other employee
1601 Manu.of tobacco products	170,648	89,887	391,086	361,500	180,000	.
1602 Manu.of Cigarette, Cigar & Beedi	157,327	39,952	2,618,721	98,353	279,356	63,169
1609 Tobacco based products	171,484	140,014	171,484	171,484	171,484	171,484
1711 Prepa. & spinning of Textiles fibres, weaving of texti	89,651	77,709	218,142	238,909	124,488	57,402
1712 Finishing of Textiles	97,501	95,688	442,258	358,730	174,213	71,172
1721 Manu.of made-up textile article, except apparel	77,966	67,443	204,696	165,077	85,670	79,040
1722 Manu.of carpets and rugs	94,205	87,449	534,555	170,588	131,698	.
1723 Manu.of Cordage, Rope, twine & netting	122,577	133,185	494,513	315,173	173,224	101,799
1724 Manufacture of Sanitary Towels & Pampers	57,410
1726 Manu. of Laces and embroidered cloths	100,350	68,939	318,109	221,491	169,937	209,818
1727 Manu. of Labels, badges (cloth based)	150,155	108,925	446,136	289,772	198,700	.
1729 Cloth and coir based other products	98,400	96,000
1731 Manufacture of knitted Garments	439,632	137,922	718,132	584,725	502,049	.
1732 Manufacture of knitted socks, purses and Hand glouses	141,894	119,508	345,683	219,309	221,870	171,992
1733 Manufacture of Knitted Lace	120,160	90,097	300,411	181,224	181,224	.
1739 Elastomeric Yarn & other rubber thread based products	179,856	110,163	962,734	425,297	208,732	160,184
1810 Manufacture of weaving Apparel, except fur apparels	103,660	97,146	439,164	238,159	161,762	115,786
1912 Manu.of luggage, hand bags	70,334	6,986
1913 Manu. of Bags & rain coats, artificial leather product	120,221	89,923	402,652	242,174	177,200	190,500
1920 Manufacturing of footwear	149,312	89,093	188,302	254,900	117,960	72,635
2010 Saw-milling and planning of wood	115,235	98,727	167,207	234,000	71,248	130,459
2021 Manu.of veneer sheets, plywood, lamin board, particle	110,923	60,592	149,492	74,667	94,937	.
2022 Manufacture of builders carpentry and joinery	116,763	46,753	85,750	125,000	100,889	78,174
2024 Manu.of produ. by cork barks, wood utencils from reed,	17,130	18,575	179,800	178,000	.	180,000
2025 Manu.of Household utencils of other wooden article and	69,853	51,819	268,441	117,978	92,152	116,571
2028 Manu.of other office equipment & wood articles	87,024	81,000	157,165	.	83,317	78,000
2101 Manufacture of pulp, paper and paperboards	124,493	95,820	223,508	275,699	192,679	114,681

(cont.)

Table 21: Salaries per employee by nature of employment & industry - 2007
(Establishments with 5 or more persons engaged)

Type of industry	Salaries per skilled operatives	Salaries per unskilled operatives	Salaries per administrative employee	Salaries per technical employee	Salaries per clerical employee	Salaries per other employee
2102 Manu.of corrugated paper & paperboard & containers of	166,876	70,089	411,144	195,702	155,743	773,356
2103 Manufacture of cards, files, books and pads	98,395	101,250	150,795	138,092	150,264	124,746
2104 Manu.of toys, plates, cups, spoons, knives & ornaments	64,834	.	55,500	.	77,468	68,250
2109 Manu.of pulp paper and paper boards articles n.e.c	227,812	164,303	706,407	300,000	190,826	.
2211 Publishing of books, brochures, musical books	78,325	100,250	284,000	216,000	114,000	102,500
2221 Printing of newspapers, journals & periodicals for oth	206,381	106,979	503,745	383,850	275,602	97,317
2222 Service activities related to printing	102,302	69,031	469,091	154,504	96,315	.
2320 Manu.of refined petroleum products	400,669	359,237	1,233,364	984,541	474,134	603,360
2412 Manu.of fertilizer & nitrogen compounds	.	71,999	.	.	150,914	.
2413 Manu.of plastic in primary forms and synthetic rubber	166,115	134,574	258,441	304,326	202,604	61,661
2414 Manu.of Natural carbonic fertilizers	143,110	130,007	473,252	212,478	106,690	136,886
2421 Manu.of pesticides and other agro-chemical products	667,878	667,603	667,575	667,540	668,554	663,513
2422 Manu.of paints, varnishes & similar coatings, printing	227,209	97,702	569,891	290,662	125,409	55,704
2423 Manu.of pharmaceuticals, medicinal chemicals & botanica	173,415	202,936	688,267	289,076	182,206	140,137
2424 Manu.of soap & detergent, cleaning, perfumies & toilet	96,622	131,278	232,658	168,160	141,288	124,797
2425 Manu.of explosives, crackers and other firework	73,523	72,000	.	120,000	.	.
2426 Manu.of mosquito-coils, camphor, naphthaline balls, inc	80,675	38,179	.	.	73,636	76,167
2427 Manu.of processed salt (for food)	69,188	23,675	107,071	168,144	143,060	33,021
2428 Manu.of chemicals and activated carbon	207,720	128,291	384,375	246,857	180,167	.
2429 Manu.of other chemical products n.e.c	108,750
2511 Manu.of rubber tyres and tubes, rebuilding of rubber t	136,305	131,731	445,609	338,593	193,785	99,093
2512 Manu.of rubber condoms, rubber gloves	42,895	62,939	350,095	118,122	157,537	54,252
2513 Manu.of product from natural rubber	88,687	90,360	681,388	198,762	143,883	110,784
2514 Manu.of article of rubber	116,770	111,415	265,237	139,637	133,572	129,646
2519 Manu.of rubber products (not classified elsewhere)	229,951	124,638	555,549	290,946	193,152	92,084
2520 Manu.of plastic products	125,088	101,216	531,592	238,836	170,093	112,949
2691 Manu.of non-structural non-refractory ceramic ware	149,363	56,896	328,676	267,652	138,065	273,804

(cont.)

Table 21: Salaries per employee by nature of employment & industry - 2007
(Establishments with 5 or more persons engaged)

Type of industry	Salaries per skilled operatives	Salaries per unskilled operatives	Salaries per administrative employee	Salaries per technical employee	Salaries per clerical employee	Salaries per other employee
2693 Manu.of structural non refractory clay & ceramic produ	61,132	100,205	251,053	178,701	197,251	153,818
2694 Manu.of cement lime, and plaster	182,274	66,000	755,088	576,673	366,106	.
2695 Manu.of articles of concrete, cement & plaster	120,206	104,235	311,446	297,070	129,368	176,994
2696 Cutting, shaping & finishing of rough stones	158,568	91,747	242,808	248,253	129,595	137,511
2697 Refining of Ilmanite, surcon & refinding of plumbago	84,000	.	360,000	.	204,000	144,000
2699 Manu.of other non-metallic mineral products n.e.c	151,842	211,502	594,258	235,248	.	.
2710 Manu.of basic iron & steel	120,000	108,000	300,000	228,000	192,000	180,000
2720 Manu.of basic precious & non-ferrous metal	88,000	87,943	357,600	180,000	96,000	78,000
2731 Casting of iron & steel	94,781	108,131	300,066	237,849	141,406	165,974
2732 Casting of Non ferrous metals	215,951	120,297	642,653	286,723	172,725	165,423
2811 Manu.of structural metal products	166,385	111,847	192,848	109,714	79,750	74,700
2812 Manu.of tanks, resorvoirs & containers of metal except	130,894	117,238	334,565	256,272	120,697	95,333
2892 Treatment & coating of metal general mechanical engine	97,101	95,851	285,128	206,539	140,207	-
2893 Manu.of cutlery, hand tools & general hardware	108,956	60,134	422,432	218,215	63,409	33,004
2894 Manu.of other brass articles	13,563
2895 Manu.of non threaded metal products	92,366	95,625	290,952	128,315	115,775	116,754
2896 Manu.of Metal cooking utensils, household appliances &	79,685	29,467	134,444	175,100	96,288	.
2897 Manu.of Metal cables and similar articles	55,000	66,000
2898 Manu.of Containers used for the packing or conveyance	107,807	79,327	396,901	350,414	41,530	60,057
2899 Manu.of other fabricated metal products	150,240	93,795	418,206	419,854	157,529	147,414
2911 Manu.of engine and turbines, except aircraft, vehicle	389,381	351,111	809,524	708,333	360,000	60,164
2912 Manu.of pumps, compressors, taps and valves	109,376	112,656	288,882	331,011	271,377	128,520
2919 Manu.of other general purpose machinery	64,420	66,853	13,793	144,000	79,822	96,000
2921 Manu.of agricultural & forestry machinery	105,111	95,258	452,775	279,487	150,365	72,000
2925 Manu.of machinery for Food, beverage & tobacco proce.	132,923	102,857	330,000	198,000	190,000	80,000
2926 Manu.of machinery for textile, apparel & leather produ	243,552	237,804	600,000	257,626	259,590	240,364
2929 Manu.of other special purpose machinery (Not elsewhere	299,492	203,303	943,232	651,801	310,050	.

(cont.)

Table 21: Salaries per employee by nature of employment & industry - 2007
(Establishments with 5 or more persons engaged)

Type of industry	Salaries per skilled operatives	Salaries per unskilled operatives	Salaries per administrative employee	Salaries per technical employee	Salaries per clerical employee	Salaries per other employee
2930 Manu.of domestic appliance n.e.c.	159,378	67,585	695,540	219,166	162,000	127,791
3000 Manu.of office, accounting and computing machinery	121,293	76,681	587,526	233,959	156,649	81,002
3110 Manu.of electric motors, generators and transformers	126,504	82,920	672,515	213,606	171,714	89,244
3120 Manu.of electricity distribution and control apparatus	107,420	98,171	950,738	333,943	267,273	.
3130 Manu.of insulated wire and cables	103,660	85,088	299,618	241,379	216,246	25,000
3140 Manu.of accumulators primary cells and primary batteri	236,848	198,763	1,037,233	568,085	306,148	589,128
3150 Manu.of electric lamps and lighting equipments	77,650	83,532	266,025	.	93,196	38,613
3190 Manu.of other electrical equipments n.e.c	42,000	.	45,000	.	.	.
3210 Manu.of electronic valves, tubes & other	120,781	99,920	816,358	334,233	154,848	172,615
3220 Manu.of TV & radio transmitters & apparatus for line t	108,829	81,600	108,000	114,000	96,000	60,000
3230 Manu.of TV & radio receivers sound or video recording	110,453	82,866	364,235	196,314	129,529	126,857
3313 Manu.of industrial process control equipments	126,760	.	.	.	90,000	.
3320 Manu.of optical instruments and photographic equipment	84,000	.	150,000	-	52,000	.
3410 Manu.of motor vehicles	99,416	88,851	186,762	111,414	104,695	85,570
3420 Manu.of bodies for Motor vehicles, Manu. of trailers &	147,820	110,766	169,433	177,660	191,221	158,226
3430 Manu.of spare parts and accessories for motor vehicles	210,996	83,032	343,707	159,000	299,663	94,456
3511 Building and repairing of ships	491,909	140,387	1,311,089	921,159	407,051	196,667
3512 Building and repairing of pleasure & sporting boats	124,883	81,173	453,970	239,811	98,132	75,374
3520 Manu.of railway & tramway locomotives & rolling stock	84,000	60,000	360,000	207,333	180,000	60,000
3591 Manu.of motorcycles & motor tricycle (three wheelers)	141,215	28,753	635,109	27,000	183,641	73,500
3592 Manu.of bicycles & invalid carriages	114,810	93,908	570,907	159,522	150,646	79,793
3593 Manu.of other transport equipment	72,000	37,000	120,000	.	49,000	96,000
3610 Manu.of furniture	81,314	75,648	485,986	240,635	151,123	133,235
3691 Manu.of jewellery and related articles	135,602	106,804	444,389	228,296	195,202	148,286
3693 Manu.of sports goods	103,917	80,886	375,789	200,310	163,200	313,048
3694 Manu.of toys & games	90,128	70,949	459,086	168,147	149,930	82,347
3699 Other manufacturing not elsewhere classified	96,007	63,026	291,618	132,462	114,140	96,181

(cont.)

Table 21: Salaries per employee by nature of employment & industry - 2007
(Establishments with 5 or more persons engaged)

Type of industry	Salaries per skilled operatives	Salaries per unskilled operatives	Salaries per administrative employee	Salaries per technical employee	Salaries per clerical employee	Salaries per other employee
3720 Reycling of non-metal waste and scrap	105,990	112,647	505,474	229,333	145,585	60,000
4010 Production, collection & distribution of electricity	467,488	356,581	2,575,886	693,440	538,309	476,670
4020 Manu.of gas	.	106,087	660,000	180,000	180,000	.
4100 Collection, purification and distribution of water	427,437	317,912	685,974	501,229	419,520	511,927

**Table 22 : Persons engaged by nature of employment classified by industry - 2007
(Establishments with 5 or more persons engaged)**

Type of industry		Persons engaged (No.)	Operatives (No.)	Other employees (No.)	Working proprietors & Active partners (No.)	Unpaid family workers (No.)
141 Quarrying of stone Clay and Sand	Group Total	8,443	6,475	1,148	475	345
	1411 Quarrying of stone Clay and Sand	1,925	1,610	167	45	103
	1412 Braking of Granite	4,614	3,115	966	291	242
	1413 Quarrying of Sand & Gravel	792	777	15	-	-
	1414 Quarrying Of Limestone	1,112	973	-	139	-
142 Mining and Quarrying n.e.c	Group Total	15,585	10,518	2,264	2,803	-
	1421 Mining of chemical and Fertilizer minerals	308	239	69	-	-
	1422 Extraction of salt	7,872	5,509	1,985	378	-
	1423 Mining of precious and semi precious stones	6,962	4,473	64	2,425	-
	1429 Other Mining & Quarrying N.e.c	443	297	146	-	-
151 Produ., proce. & preserving of meat, fish,fruit, vegeta	Group Total	10,064	7,319	2,537	198	11
	1511 Processing and Preserving of Meat and Meat Product	2,564	1,710	845	8	-
	1512 Processing and Preserving of fish and fish Products	1,394	1,042	352	-	-
	1513 Processing & Preserving of fruits & Vegetables	1,015	543	419	46	8
	1514 Manufacture of Vegetable oils animal oils & fats	5,091	4,024	920	145	3
152 Manufacture of Dairy Products	Group Total	4,887	3,356	1,478	53	-
	1520 Manufacture of Dairy Products	4,887	3,356	1,478	53	-
153 Manu.of grain mill products and prepared animal feeds	Group Total	14,410	9,766	3,465	915	264
	1531 Manufacture of Grain Mill Products	13,108	8,796	3,285	763	264
	1533 Preparation of Animal food from milling waist	1,302	970	180	152	-
154 Manu.of other food products	Group Total	102,949	71,091	24,080	3,021	4,757
	1541 Manufacture of bakery products	23,471	14,957	5,397	971	2,144
	1542 Manufacture of Cane sugar and molasses	1,274	772	428	-	74
	1543 Manu.of cocoa, chocolate and sugar confectionary	5,836	4,586	389	682	178
	1544 Manu.of macaroni, noodles couscous and similar farinac	3,019	2,177	648	177	16
	1545 Manu.of Coffee & Soya Products for drinking	1,179	1,000	179	-	-
	1546 Manu.of tea and tea products	62,144	43,636	16,243	1,024	1,241
	1547 Manu.of chilly-power, condiments powder, proce.of spic	3,475	2,575	796	66	38
	1549 Manu.of other food products n.e.c	2,553	1,386	-	101	1,066

(cont.)

**Table 22 : Persons engaged by nature of employment classified by industry - 2007
(Establishments with 5 or more persons engaged)**

Type of industry		Persons engaged (No.)	Operatives (No.)	Other employees (No.)	Working proprietors & Active partners (No.)	Unpaid family workers (No.)
155 Manu.of beverages	Group Total	5,322	3,225	2,071	27	-
	1551 Manufacture of beverages	534	235	294	5	-
	1552 Manu.of wine, bottled toddy and similar products	24	18	6	-	-
	1553 Manu.of all other beverages such as beer and stout	344	132	212	-	-
	1554 Manu.of beverages such as soft drinks, soda etc	4,421	2,840	1,559	22	-
160 Manu.of tobacco products	Group Total	4,896	3,968	655	194	79
	1601 Manu.of tobacco products	852	688	123	7	35
	1602 Manu.of Cigarette, Cigar & Beedi	2,625	2,067	350	164	45
	1609 Tobacco based products	1,420	1,214	182	24	-
171 Spinning, weaving and finishing of Textiles	Group Total	23,570	18,963	3,856	576	176
	1711 Prepa. & spinning of Textiles fibres, weaving of texti	17,934	14,638	2,544	576	176
	1712 Finishing of Textiles	5,637	4,325	1,312	-	-
172 Manu.of other Textiles	Group Total	26,331	22,583	2,709	582	458
	1721 Manu.of made-up textile article, except apparel	18,823	16,992	1,341	156	334
	1722 Manu.of carpets and rugs	450	366	31	22	31
	1723 Manu.of Cordage, Rope, twine & netting	4,483	3,309	966	138	70
	1724 Manufacture of Sanitary Towels & Pampers	1,313	1,054	-	255	3
	1726 Manu. of Laces and embroidered cloths	719	525	193	-	-
	1727 Manu. of Labels, badges (cloth based)	462	285	178	-	-
	1729 Cloth and coir based other products	82	51	-	10	21
	173 Manu.of knitted and crocheted fabrics and articles	Group Total	84,986	47,926	37,050	9
1731 Manufacture of knitted Garments		70,129	37,131	32,996	2	-
1732 Manufacture of knitted socks, purses and Hand gloves		10,043	7,747	2,296	-	-
1733 Manufacture of Knitted Lace		555	366	189	-	-
1739 Elastomeric Yarn & other rubber thread based products		4,259	2,681	1,571	8	-
181 Manu.of weaving Apparel except fur apparels	Group Total	394,464	332,141	59,791	2,215	317
	1810 Manufacture of weaving Apparel, except fur apparels	394,464	332,141	59,791	2,215	317
191 Tanning & dressing of leather; manu. of luggage, Hand b	Group Total	1,339	1,115	123	101	-
	1912 Manu.of luggage, hand bags	605	507	-	98	-
	1913 Manu. of Bags & rain coats, artificial leather product	734	608	123	3	-

(cont.)

**Table 22 : Persons engaged by nature of employment classified by industry - 2007
(Establishments with 5 or more persons engaged)**

Type of industry		Persons engaged (No.)	Operatives (No.)	Other employees (No.)	Working proprietors & Active partners (No.)	Unpaid family workers (No.)
192 Manu.of footwear	Group Total	9,072	6,593	2,259	18	202
	1920 Manufacturing of footwear	9,072	6,593	2,259	18	202
201 Saw-milling and planning of wood	Group Total	6,100	4,152	811	706	431
	2010 Saw-milling and planning of wood	6,100	4,152	811	706	431
202 Manu.of produ. of wood, cork, straw & plaiting material	Group Total	5,954	4,553	981	240	179
	2021 Manu.of veneer sheets, plywood, lamin board, particle	1,863	1,521	207	135	-
	2022 Manufacture of builders carpentry and joinery	606	340	89	34	143
	2024 Manu.of produ. by cork barks, wood utencils from reed,	333	297	30	6	-
	2025 Manu.of Household utencils of other wooden article and	2,359	1,908	391	25	36
	2028 Manu.of other office equipment & wood articles	793	488	264	41	-
210 Manu.of paper and paper products	Group Total	9,250	7,030	2,146	51	24
	2101 Manufacture of pulp, paper and paperboards	956	766	181	9	-
	2102 Manu.of corrugated paper & paperboard & containers of	2,846	2,082	764	-	-
	2103 Manufacture of cards, files, books and pads	761	669	60	25	7
	2104 Manu.of toys, plates, cups, spoons, knives & ornaments	21	11	10	-	-
	2109 Manu.of pulp paper and paper boards articles n.e.c	4,667	3,503	1,131	17	17
221 Publishing, printing and reproduction of recorded media	Group Total	46	37	5	3	1
	2211 Publishing of books, brochures, musical books	46	37	5	3	1
222 Printing & service activities related to printing for o	Group Total	18,368	11,319	6,576	298	175
	2221 Printing of newspapers, journals & periodicals for oth	15,974	9,376	6,155	298	145
	2222 Service activities related to printing	2,395	1,943	421	-	31
232 Manu.of refined petroleum products	Group Total	3,047	923	2,124	-	-
	2320 Manu.of refined petroleum products	3,047	923	2,124	-	-
241 Manu.of basic chemicals	Group Total	2,790	776	1,961	53	-
	2412 Manu.of fertilizer & nitrogen compounds	28	24	4	-	-
	2413 Manu.of plastic in primary forms and synthetic rubber	916	531	382	2	-
	2414 Manu.of Natural carbonic fertilizers	1,846	221	1,575	51	-

(cont.)

**Table 22 : Persons engaged by nature of employment classified by industry - 2007
(Establishments with 5 or more persons engaged)**

Type of industry		Persons engaged (No.)	Operatives (No.)	Other employees (No.)	Working proprietors & Active partners (No.)	Unpaid family workers (No.)
242 Manu.of other chemical products	Group Total	14,965	8,213	6,466	65	222
	2421 Manu.of pesticides and other agro-chemical products	2,660	887	1,773	-	-
	2422 Manu.of paints, varnishes & similar coatings, printing	1,343	872	427	38	6
	2423 Manu.of pharmaceuticals, medicinal chemicals & botanica	6,808	4,452	2,309	18	29
	2424 Manu.of soap & detergent, cleaning, perfumies & toilet	764	327	434	2	1
	2425 Manu.of explosives, crackers and other firework	563	381	39	-	143
	2426 Manu.of mosquito-coils, camphor, naphthaline balls, inc	395	344	38	7	8
	2427 Manu.of processed salt (for food)	1,593	232	1,361	-	-
	2428 Manu.of chemicals and activated carbon	516	430	86	-	-
2429 Manu.of other chemical products n.e.c	324	288	-	-	36	
251 Manu.of rubber products	Group Total	41,536	33,196	8,070	232	38
	2511 Manu.of rubber tyres and tubes, rebuilding of rubber t	11,474	9,680	1,785	9	-
	2512 Manu.of rubber condoms, rubber gloves	6,343	5,413	928	2	-
	2513 Manu.of product from natural rubber	11,864	9,326	2,511	18	10
	2514 Manu.of article of rubber	6,121	4,008	2,036	78	-
	2519 Manu.of rubber products (not classified elsewhere)	5,733	4,770	810	126	28
252 Manu.of plastic products	Group Total	18,700	14,665	3,753	181	101
	2520 Manu.of plastic products	18,700	14,665	3,753	181	101
269 Manu.of Non metallic mineral products(Not elsewhere cla	Group Total	65,565	54,495	7,389	2,571	1,110
	2691 Manu.of non-structural non-refractory ceramic ware	6,193	5,347	781	-	65
	2693 Manu.of structural non refractory clay & ceramic produ	19,244	15,586	1,641	1,613	404
	2694 Manu.of cement lime, and plaster	817	695	117	5	-
	2695 Manu.of articles of concrete, cement & plaster	28,988	25,042	3,298	585	63
	2696 Cutting, shaping & finishing of rough stones	9,928	7,505	1,478	368	578
	2697 Refining of Ilmanite, surcon & refining of plumbago	180	160	20	-	-
	2699 Manu.of other non-metalic mineral products n.e.c	215	160	55	-	-
271 Manu.of basic iron & steel	Group Total	107	87	20	-	-
	2710 Manu.of basic iron & steel	107	87	20	-	-
272 Manu.of basic precious & non-ferrous metal	Group Total	109	82	27	-	-
	2720 Manu.of basic precious & non-ferrous metal	109	82	27	-	-

(cont.)

**Table 22 : Persons engaged by nature of employment classified by industry - 2007
(Establishments with 5 or more persons engaged)**

Type of industry		Persons engaged (No.)	Operatives (No.)	Other employees (No.)	Working proprietors & Active partners (No.)	Unpaid family workers (No.)
273 Casting of metals	Group Total	5,233	3,364	1,814	15	41
	2731 Casting of iron & steel	2,263	1,970	250	9	34
	2732 Casting of Non ferrous metals	2,971	1,393	1,564	6	7
281 Manu.of structural metal products, tanks, reservoirs &	Group Total	2,277	1,531	450	269	27
	2811 Manu.of structural metal products	1,334	962	121	226	27
	2812 Manu.of tanks, reservoirs & containers of metal except	943	569	330	44	-
289 Manu.of other fabricated metal products	Group Total	10,349	7,077	2,418	681	172
	2892 Treatment & coating of metal general mechanical engine	2,115	1,503	405	128	80
	2893 Manu.of cutlery, hand tools & general hardware	2,752	2,302	198	246	6
	2894 Manu.of other brass articles	303	182	-	121	-
	2895 Manu.of non threaded metal products	327	232	91	5	-
	2896 Manu.of Metal cooking utensils, household appliances &	683	526	24	64	69
	2897 Manu.of Metal cables and similar articles	24	24	-	-	-
	2898 Manu.of Containers used for the packing or conveyance	2,339	1,161	1,137	41	-
	2899 Manu.of other fabricated metal products	1,807	1,149	563	76	18
	291 Manu.of general purpose machinery	Group Total	4,653	3,586	1,050	17
2911 Manu.of engine and turbines, except aircraft, vehicle		188	128	53	7	-
2912 Manu.of pumps, compressors, taps and valves		4,194	3,246	938	11	-
2919 Manu.of other general purpose machinery		271	212	59	-	-
292 Manu.of special purpose machinery	Group Total	3,079	2,197	829	44	9
	2921 Manu.of agricultural & forestry machinery	2,485	1,916	517	44	9
	2925 Manu.of machinery for Food, beverage & tobacco proce.	28	20	8	-	-
	2926 Manu.of machinery for textile, apparel & leather produ	183	10	173	-	-
	2929 Manu.of other special purpose machinery (Not elsewhere	383	251	132	-	-
293 Manu.of domestic appliance n.e.c.	Group Total	937	806	103	14	14
	2930 Manu.of domestic appliance n.e.c.	937	806	103	14	14
300 Manu.of office, accounting and computing machinery	Group Total	5,226	4,356	864	6	-
	3000 Manu.of office, accounting and computing machinery	5,226	4,356	864	6	-
311 Manu.of electronic motors, generators and transformers	Group Total	3,125	2,575	551	-	-
	3110 Manu.of electric motors, generators and transformers	3,125	2,575	551	-	-

(cont.)

**Table 22 : Persons engaged by nature of employment classified by industry - 2007
(Establishments with 5 or more persons engaged)**

Type of industry		Persons engaged (No.)	Operatives (No.)	Other employees (No.)	Working proprietors & Active partners (No.)	Unpaid family workers (No.)
312 Manu.of electricity distribution and control apparatus	Group Total	2,378	2,082	287	9	-
	3120 Manu.of electricity distribution and control apparatus	2,378	2,082	287	9	-
313 Manu.of insulated wire and cables	Group Total	1,697	1,043	653	-	-
	3130 Manu.of insulated wire and cables	1,697	1,043	653	-	-
314 Manu.of accumulators primary cells and primary batterie	Group Total	963	566	398	-	-
	3140 Manu.of accumulators primary cells and primary batteri	963	566	398	-	-
315 Manu.of electric lamps and lighting equipments	Group Total	550	410	140	-	-
	3150 Manu.of electric lamps and lighting equipments	550	410	140	-	-
319 Manu.of other electrical equipments n.e.c.	Group Total	6	5	1	-	-
	3190 Manu.of other electrical equipments n.e.c	6	5	1	-	-
321 Manu.of electronic valves, tubes & other	Group Total	1,910	1,474	435	-	-
	3210 Manu.of electronic valves, tubes & other	1,910	1,474	435	-	-
322 Manu.of TV & Radio transmitters	Group Total	161	137	24	-	-
	3220 Manu.of TV & radio transmitters & apparatus for line t	161	137	24	-	-
323 Manu.of TV & Radio receivers, sound or vedio recording	Group Total	526	451	72	1	2
	3230 Manu.of TV & radio receivers sound or video recording	526	451	72	1	2
331 Manu.of medical appliances & instruments & appliances f	Group Total	27	9	12	6	-
	3313 Manu.of industrial process control equipments	27	9	12	6	-
332 Manu.of optical instruments and photographic equipments	Group Total	31	22	8	1	-
	3320 Manu.of optical instruments and photographic equipment	31	22	8	1	-
341 Manu.of motor vehicles	Group Total	453	341	108	4	-
	3410 Manu.of motor vehicles	453	341	108	4	-
342 Manu.of bodies for Motor vehicles, Manu. of trailers &	Group Total	625	336	280	4	5
	3420 Manu.of bodies for Motor vehicles, Manu. of trailers &	625	336	280	4	5
343 Manu.of spare parts and accessories for motor vehicles	Group Total	1,009	803	197	7	2
	3430 Manu.of spare parts and accessories for motor vehicles	1,009	803	197	7	2
351 Building and repairing of ships and boats	Group Total	5,682	4,541	1,092	27	22
	3511 Building and repairing of ships	3,197	2,272	877	27	22
	3512 Building and repairing of pleasure & sporting boats	2,485	2,269	216	-	-

(cont.)

**Table 22 : Persons engaged by nature of employment classified by industry - 2007
(Establishments with 5 or more persons engaged)**

Type of industry		Persons engaged (No.)	Operatives (No.)	Other employees (No.)	Working proprietors & Active partners (No.)	Unpaid family workers (No.)
352 Manu.of railway and tramway locomotives and rolling sto	Group Total	196	181	15	-	-
	3520 Manu.of railway & tramway locomotives & rolling stock	196	181	15	-	-
359 Manu.of transport equipment n.e.c.	Group Total	3,736	3,266	461	8	1
	3591 Manu.of motorcycles & motor tricycle (three wheelers)	495	371	121	2	1
	3592 Manu.of bicycles & invalid carriages	3,187	2,877	310	-	-
	3593 Manu.of other transport equipment	54	18	30	6	-
361 Manu.of furniture	Group Total	13,636	10,909	2,567	96	65
	3610 Manu.of furniture	13,636	10,909	2,567	96	65
369 Manu.of other product not elsewhere classified	Group Total	24,359	21,444	2,658	223	34
	3691 Manu.of jewellery and related articles	3,314	2,907	369	6	32
	3693 Manu.of sports goods	723	601	121	2	-
	3694 Manu.of toys & games	5,792	5,406	383	-	3
	3699 Other manufacturing not elsewhere classified	14,530	12,530	1,785	215	-
372 Recycling of non-metal waste and scrap	Group Total	536	397	124	7	8
	3720 Reycling of non-metal waste and scrap	536	397	124	7	8
401 Production, collection & distribution of electricity	Group Total	14,620	8,615	6,002	3	-
	4010 Production, collection & distribution of electricity	14,620	8,615	6,002	3	-
402 Manu.of gas	Group Total	306	207	99	-	-
	4020 Manu.of gas	306	207	99	-	-
410 Collection, purification and distribution of water	Group Total	9,345	4,713	4,573	2	58
	4100 Collection, purification and distribution of water	9,345	4,713	4,573	2	58
Total		1,010,487	772,010	212,100	17,031	9,346

Table 23 : Value of assets (at the beginning of the year) classified by industry - 2007
(Establishments with 5 or more persons engaged)

Type of industry		Total value (Rs.)	Land value (Rs.)	Building value (Rs.)	Machinery value (Rs.)	Transport value (Rs.)
141 Quarrying of stone Clay and Sand	Group Total	2,905,930,655	980,366,750	338,775,525	714,894,395	871,893,985
	1411 Quarrying of stone Clay and Sand	52,785,000	13,000,000	2,755,000	30,155,000	6,875,000
	1412 Braking of Granite	1,102,599,300	134,675,000	47,175,000	370,259,300	550,490,000
	1413 Quarrying of Sand & Gravel	812,296,355	137,691,750	288,845,525	293,630,095	92,128,985
	1414 Quarrying Of Limestone	938,250,000	695,000,000	-	20,850,000	222,400,000
142 Mining and Quarrying n.e.c	Group Total	3,601,883,641	3,092,863,227	125,330,071	306,285,981	77,404,362
	1421 Mining of chemical and Fertilizer minerals	75,161,000	-	30,791,000	22,835,000	21,535,000
	1422 Extraction of salt	3,204,392,813	3,081,441,227	39,392,715	75,229,299	8,329,572
	1423 Mining of precious and semi precious stones	161,626,667	-	-	119,076,667	42,550,000
	1429 Other Mining & Quarrying N.e.c	160,703,161	11,422,000	55,146,356	89,145,015	4,989,790
151 Produ., proce. & preserving of meat, fish,fruit, vegeta	Group Total	4,873,349,715	591,780,189	1,978,618,384	1,644,679,351	658,271,791
	1511 Processing and Preserving of Meat and Meat Product	923,318,333	96,807,940	282,880,671	317,363,772	226,265,950
	1512 Processing and Preserving of fish and fish Products	671,108,788	36,170,000	160,726,046	188,296,730	285,916,012
	1513 Processing & Preserving of fruits & Vegetables	763,433,281	14,522,469	613,830,254	95,183,260	39,897,299
	1514 Manufacture of Vegetable oils animal oils & fats	2,515,489,314	444,279,780	921,181,414	1,043,835,589	106,192,530
152 Manufacture of Dairy Products	Group Total	2,329,172,913	58,925,492	835,671,687	929,615,824	504,959,910
	1520 Manufacture of Dairy Products	2,329,172,913	58,925,492	835,671,687	929,615,824	504,959,910
153 Manu.of grain mill products and prepared animal feeds	Group Total	19,554,499,013	1,830,142,162	6,792,435,073	9,670,943,049	1,260,978,729
	1531 Manufacture of Grain Mill Products	18,418,765,013	1,629,142,162	6,345,233,073	9,459,743,049	984,646,729
	1533 Preparation of Animal food from milling waist	1,135,734,000	201,000,000	447,202,000	211,200,000	276,332,000
154 Manu.of other food products	Group Total	55,662,398,264	10,828,957,561	12,493,713,923	27,683,749,790	4,655,976,989
	1541 Manufacture of bakery products	17,716,179,182	4,646,054,195	1,918,352,449	9,998,873,974	1,152,898,563
	1542 Manufacture of Cane sugar and molasses	2,032,322,158	388,066,639	710,276,582	856,545,391	77,433,546
	1543 Manu.of cocoa, chocolate and sugar confectionary	2,604,045,178	403,601,634	799,012,321	851,121,681	550,309,542
	1544 Manu.of macaroni, noodles couscous and similar farinac	3,038,734,271	795,707,450	348,911,947	1,678,115,202	215,999,671
	1545 Manu.of Coffee & Soya Products for drinking	536,066,216	-	249,617,396	271,049,276	15,399,544
	1546 Manu.of tea and tea products	29,058,554,713	4,495,563,248	8,210,217,771	13,884,080,965	2,468,692,730
	1547 Manu.of chilly-power, condiments powder, proce.of spic	655,826,546	99,964,395	254,225,457	126,625,800	175,010,894
	1549 Manu.of other food products n.e.c	20,670,000	-	3,100,000	17,337,500	232,500
	155 Manu.of beverags	Group Total	13,577,087,730	3,383,811,557	1,945,203,428	7,599,022,942
1551 Manufacture of beverages		986,603,913	239,986,522	181,314,522	387,474,435	177,828,435
1552 Manu.of wine, bottled toddy and similar products		2,744,762	-	34,606	2,710,156	-
1553 Manu.of all other beverages such as beer and stout		5,391,520,302	674,173,200	1,115,581,854	3,561,733,706	40,031,542
1554 Manu.of beverages such as soft drinks, soda etc		7,196,218,753	2,469,651,835	648,272,446	3,647,104,646	431,189,826

(cont.)

**Table 23 : Value of assets (at the beginning of the year) classified by industry - 2007
(Establishments with 5 or more persons engaged)**

Type of industry		Total value (Rs.)	Land value (Rs.)	Building value (Rs.)	Machinery value (Rs.)	Transport value (Rs.)
160 Manu.of tobacco products	Group Total	3,625,509,764	817,639,654	625,316,672	1,925,214,597	257,338,841
	1601 Manu.of tabacco products	124,483,143	13,942,848	58,170,246	36,258,902	16,111,147
	1602 Manu.of Cigarette, Cigar & Beedi	2,079,899,093	203,696,806	418,261,485	1,229,620,770	228,320,032
	1609 Tobacco based products	1,421,127,528	600,000,000	148,884,941	659,334,925	12,907,662
171 Spinning, weaving and finishing of Textiles	Group Total	10,276,802,885	1,211,741,557	2,909,932,823	5,444,313,053	710,815,452
	1711 Prepa. & spinning of Textiles fibres, weaving of texti	5,794,591,743	1,101,580,602	1,883,306,817	2,183,669,214	626,035,110
	1712 Finishing of Textiles	4,482,211,141	110,160,955	1,026,626,005	3,260,643,839	84,780,342
172 Manu.of other Textiles	Group Total	10,358,145,964	718,907,698	1,925,496,289	6,033,148,629	1,680,593,348
	1721 Manu.of made-up textile article, except apparel	5,769,942,558	435,281,076	1,037,991,706	3,014,859,984	1,281,809,792
	1722 Manu.of carpets and rugs	91,578,284	14,031,475	33,314,451	25,944,297	18,288,061
	1723 Manu.of Cordage, Rope, twine & netting	2,621,705,428	96,320,162	487,693,468	1,942,919,476	94,772,322
	1724 Manufacture of Sanitary Towels & Pampers	391,774,600	58,375,000	83,950,000	26,916,267	222,533,333
	1726 Manu. of Laces and embroidered cloths	1,013,946,859	81,926,136	221,385,443	662,022,435	48,612,845
	1727 Manu. of Labels, badges (cloth based)	460,280,734	24,773,848	60,802,470	360,127,420	14,576,995
	1729 Cloth and coir based other products	8,917,500	8,200,000	358,750	358,750	-
173 Manu.of knitted and crocheted fabrics and articles	Group Total	201,225,613,259	18,385,322,797	42,677,456,729	139,901,041,458	261,792,275
	1731 Manufacture of knitted Garments	187,733,369,513	18,153,909,001	40,200,552,636	129,340,121,209	38,786,667
	1732 Manufacture of knitted socks, purses and Hand glouses	4,045,599,122	117,924,696	1,048,346,895	2,756,251,996	123,075,535
	1733 Manufacture of Knitted Lace	2,954,728,786	-	374,880,600	2,579,848,187	-
	1739 Elastomeric Yarn & other rubber thread based products	6,491,915,838	113,489,101	1,053,676,599	5,224,820,066	99,930,072
181 Manu.of weaving Apparel except fur apparels	Group Total	109,797,474,101	9,991,250,146	34,087,714,592	62,624,677,538	3,093,831,825
	1810 Manufacture of weaving Apparel, except fur apparels	109,797,474,101	9,991,250,146	34,087,714,592	62,624,677,538	3,093,831,825
191 Tanning & dressing of leather; manu. of luggage, Hand b	Group Total	196,397,270	58,685,253	66,169,252	65,556,758	5,986,007
	1912 Manu.of luggage, hand bags	67,714,000	33,900,000	17,500,000	15,314,000	1,000,000
	1913 Manu. of Bags & rain coats, artificial leather product	128,683,270	24,785,253	48,669,252	50,242,758	4,986,007
192 Manu.of footwear	Group Total	1,705,949,973	329,536,961	670,139,987	658,685,506	47,587,519
	1920 Manufacturing of footwear	1,705,949,973	329,536,961	670,139,987	658,685,506	47,587,519
201 Saw-milling and planning of wood	Group Total	2,064,340,012	897,491,430	358,492,198	580,248,321	228,108,063
	2010 Saw-milling and planning of wood	2,064,340,012	897,491,430	358,492,198	580,248,321	228,108,063
202 Manu.of produ. of wood, cork, straw & plaiting material	Group Total	1,846,090,935	514,484,534	401,027,944	679,824,491	250,753,966
	2021 Manu.of veneer sheets, plywood, lamin board, particle	491,102,187	62,942,701	171,590,839	222,468,647	34,100,000
	2022 Manufacture of builders carpentry and joinery	64,019,833	33,583,333	5,812,500	14,624,000	10,000,000
	2024 Manu.of produ. by cork barks, wood utencils from reed,	67,836,500	21,400,000	44,050,000	2,386,500	-
	2025 Manu.of Household utencils of other wooden article and	937,023,810	396,558,500	156,860,767	192,863,627	190,740,916
	2028 Manu.of other office equipment & wood articles	286,108,605	-	22,713,838	247,481,717	15,913,050

(cont.)

Table 23 : Value of assets (at the beginning of the year) classified by industry - 2007
(Establishments with 5 or more persons engaged)

Type of industry		Total value (Rs.)	Land value (Rs.)	Building value (Rs.)	Machinery value (Rs.)	Transport value (Rs.)
210 Manu.of paper and paper products	Group Total	8,606,576,604	1,007,395,739	2,686,993,057	3,998,097,362	914,090,445
	2101 Manufacture of pulp, paper and paperboards	231,659,808	23,842,366	25,500,475	172,611,837	9,705,130
	2102 Manu.of corrugated paper & paperboard & containers of	2,185,989,931	224,722,430	442,471,097	1,318,962,680	199,833,723
	2103 Manufacture of cards, files, books and pads	434,400,936	157,155,850	85,837,498	158,493,153	32,914,435
	2104 Manu.of toys, plates, cups, spoons, knives & ornaments	890,208	139,947	402,962	347,299	-
2109 Manu.of pulp paper and paper boards articles n.e.c	5,753,635,721	601,535,146	2,132,781,025	2,347,682,393	671,637,157	
221 Publishing, printing and reproduction of recorded media	Group Total	10,721,838	900,000	940,406	7,306,657	1,574,775
	2211 Publishing of books, brochures, musical books	10,721,838	900,000	940,406	7,306,657	1,574,775
222 Printing & service activities related to printing for o	Group Total	11,465,046,907	993,093,818	1,762,212,282	7,715,430,861	994,309,946
	2221 Printing of newspapers, journals & periodicals for oth	9,648,935,784	987,758,560	1,573,178,293	6,130,532,795	957,466,137
	2222 Service activities related to printing	1,816,111,123	5,335,258	189,033,989	1,584,898,067	36,843,809
232 Manu.of refined petroleum products	Group Total	4,740,847,118	9,416,639	1,080,926,507	3,560,407,566	90,096,406
	2320 Manu.of refined petroleum products	4,740,847,118	9,416,639	1,080,926,507	3,560,407,566	90,096,406
241 Manu.of basic chemicals	Group Total	2,882,174,253	122,304,512	265,273,766	1,634,080,480	860,515,495
	2412 Manu.of fertilizer & nitrogen compounds	-	-	-	-	-
	2413 Manu.of plastic in primary forms and synthetic rubber	1,344,129,328	46,937,419	108,146,497	965,458,102	223,587,310
	2414 Manu.of Natural carbonic fertilizers	1,538,044,925	75,367,093	157,127,269	668,622,378	636,928,185
242 Manu.of other chemical products	Group Total	7,098,317,705	1,671,343,065	2,513,474,054	2,208,646,588	704,853,998
	2421 Manu.of pesticides and other agro-chemical products	1,046,774,752	-	816,240,127	191,339,475	39,195,151
	2422 Manu.of paints, varnishes & similar coatings, printing	1,632,483,503	642,797,391	190,196,029	500,877,877	298,612,205
	2423 Manu.of pharmaceuticals, medicinal chemicals & botanica	3,107,430,292	749,208,038	1,156,100,195	978,711,949	223,410,109
	2424 Manu.of soap & detergent, cleaning, perfumies & toilet	747,648,201	188,783,263	89,935,504	408,777,100	60,152,334
	2425 Manu.of explosives, crackers and other firework	87,975,000	34,500,000	1,725,000	-	51,750,000
	2426 Manu.of mosquito-coils, camphor, naphthaline balls, inc	36,075,000	-	32,500,000	2,075,000	1,500,000
	2427 Manu.of processed salt (for food)	40,574,799	-	21,588,920	-	18,985,879
	2428 Manu.of chemicals and activated carbon	333,836,159	20,054,373	204,468,279	108,865,187	448,320
	2429 Manu.of other chemical products n.e.c	65,520,000	36,000,000	720,000	18,000,000	10,800,000
251 Manu.of rubber products	Group Total	22,696,900,412	1,561,642,553	4,995,565,815	14,708,828,876	1,430,863,169
	2511 Manu.of rubber tyres and tubes, rebuilding of rubber t	10,156,759,324	805,503,786	1,563,535,987	7,584,152,082	203,567,469
	2512 Manu.of rubber condoms, rubber gloves	2,254,654,288	8,829,762	759,045,333	1,432,984,024	53,795,169
	2513 Manu.of product from natural rubber	3,094,305,696	355,666,317	1,342,692,105	661,078,366	734,868,908
	2514 Manu.of article of rubber	4,871,379,447	226,691,519	683,925,687	3,688,102,648	272,659,592
	2519 Manu.of rubber products (not classified elsewhere)	2,319,801,658	164,951,169	646,366,703	1,342,511,756	165,972,031
252 Manu.of plastic products	Group Total	14,482,824,440	1,614,189,196	2,626,023,580	9,099,662,506	1,142,949,159
	2520 Manu.of plastic products	14,482,824,440	1,614,189,196	2,626,023,580	9,099,662,506	1,142,949,159

(cont.)

**Table 23 : Value of assets (at the beginning of the year) classified by industry - 2007
(Establishments with 5 or more persons engaged)**

Type of industry		Total value (Rs.)	Land value (Rs.)	Building value (Rs.)	Machinery value (Rs.)	Transport value (Rs.)
269 Manu.of Non metallic mineral products(Not elsewhere cla	Group Total	35,697,042,929	12,039,722,296	7,406,464,004	13,631,173,664	2,619,682,966
	2691 Manu.of non-structural non-refractory ceramic ware	4,354,251,242	216,575,507	1,048,995,638	2,969,332,138	119,347,959
	2693 Manu.of structural non refractory clay & ceramic produ	10,653,132,599	2,039,228,497	5,054,161,063	2,939,947,143	619,795,897
	2694 Manu.of cement lime, and plaster	445,049,571	63,925,000	37,036,714	305,348,143	38,739,714
	2695 Manu.of articles of concrete, cement & plaster	5,631,913,887	696,132,426	811,299,638	3,640,273,262	484,208,562
	2696 Cutting, shaping & finishing of rough stones	14,308,144,772	8,973,860,866	419,970,952	3,610,275,121	1,304,037,834
	2697 Refining of Ilmanite, surcon & refining of plumbago	91,000,000	50,000,000	35,000,000	-	6,000,000
	2699 Manu.of other non-metalic mineral products n.e.c	213,550,857	-	-	165,997,857	47,553,000
271 Manu.of basic iron & steel	Group Total	438,352,085	-	87,870,895	347,511,718	2,969,472
	2710 Manu.of basic iron & steel	438,352,085	-	87,870,895	347,511,718	2,969,472
272 Manu.of basic precious & non-ferrous metal	Group Total	-	-	-	-	-
	2720 Manu.of basic precious & non-ferrous metal	-	-	-	-	-
273 Casting of metals	Group Total	8,059,453,928	5,639,585,647	678,655,559	1,229,624,741	511,587,981
	2731 Casting of iron & steel	6,130,111,320	4,810,199,863	444,888,955	414,972,390	460,050,112
	2732 Casting of Non ferrous metals	1,929,342,608	829,385,783	233,766,605	814,652,351	51,537,869
281 Manu.of structural metal products, tanks, reservoirs &	Group Total	1,042,508,225	331,121,667	270,211,161	302,938,929	138,236,469
	2811 Manu.of structural metal products	410,582,767	258,950,267	56,275,000	66,237,500	29,120,000
	2812 Manu.of tanks, resorvoirs & containers of metal except	631,925,458	72,171,400	213,936,161	236,701,429	109,116,469
289 Manu.of other fabricated metal products	Group Total	5,371,951,708	1,657,646,775	1,265,567,392	1,785,106,238	663,631,303
	2892 Treatment & coating of metal general mechanical engine	548,408,529	67,204,717	263,375,132	161,317,500	56,511,180
	2893 Manu.of cutlery, hand tools & general hardware	1,427,750,486	453,931,533	655,249,349	122,813,932	195,755,672
	2894 Manu.of other brass articles	11,797,500	-	1,815,000	9,982,500	-
	2895 Manu.of non threaded metal products	217,943,103	41,667	11,005,612	195,290,308	11,605,517
	2896 Manu.of Metal cooking utensils, household appliances &	426,390,000	48,080,000	156,335,000	7,225,000	214,750,000
	2897 Manu.of Metal cables and similar articles	12,040,000	-	12,000,000	40,000	-
	2898 Manu.of Containers used for the packing or conveyance	921,583,333	11,400,000	51,748,000	804,177,333	54,258,000
	2899 Manu.of other fabricated metal products	1,806,038,756	1,076,988,859	114,039,299	484,259,664	130,750,934
291 Manu.of general purpose machinery	Group Total	860,390,870	28,052,913	297,452,451	390,130,926	144,754,580
	2911 Manu.of engine and turbines, except aircraft, vehicle	103,480,035	-	-	103,480,035	-
	2912 Manu.of pumps, compressors, taps and valves	733,494,169	21,019,579	297,319,118	280,150,891	135,004,580
	2919 Manu.of other general purpose machinery	23,416,667	7,033,333	133,333	6,500,000	9,750,000

(cont.)

Table 23 : Value of assets (at the beginning of the year) classified by industry - 2007
(Establishments with 5 or more persons engaged)

Type of industry		Total value (Rs.)	Land value (Rs.)	Building value (Rs.)	Machinery value (Rs.)	Transport value (Rs.)
292 Manu.of special purpose machinery	Group Total	1,447,881,125	587,580,667	317,151,584	479,292,523	63,856,351
	2921 Manu.of agricultural & forestry machinery	558,211,571	262,580,667	105,519,315	142,500,256	47,611,333
	2925 Manu.of machinery for Food, beverage & tobacco proce.	6,814,142	-	3,214,142	1,300,000	2,300,000
	2926 Manu.of machinery for textile, apparel & leather produ	414,452,012	325,000,000	54,547,013	30,101,724	4,803,275
	2929 Manu.of other special purpose machinery (Not elsewhere	468,403,400	-	153,871,114	305,390,543	9,141,743
293 Manu.of domestic appliance n. e.c.	Group Total	812,870,522	274,324,715	138,292,061	349,426,620	50,827,127
	2930 Manu.of domestic appliance n.e.c.	812,870,522	274,324,715	138,292,061	349,426,620	50,827,127
300 Manu.of office, accounting and computing machinery	Group Total	1,106,824,253	-	851,876,024	251,150,619	3,797,610
	3000 Manu.of office, accounting and computing machinery	1,106,824,253	-	851,876,024	251,150,619	3,797,610
311 Manu.of electronic motors, generators and transformers	Group Total	980,536,009	48,459,431	358,998,552	534,598,272	38,479,754
	3110 Manu.of electric motors, generators and transformers	980,536,009	48,459,431	358,998,552	534,598,272	38,479,754
312 Manu.of electricity distribution and control apparatus	Group Total	1,671,462,918	377,564,327	366,794,932	861,185,682	65,917,976
	3120 Manu.of electricity distribution and control apparatus	1,671,462,918	377,564,327	366,794,932	861,185,682	65,917,976
313 Manu.of insulated wire and cables	Group Total	651,835,733	177,803,500	200,993,918	255,392,972	17,645,343
	3130 Manu.of insulated wire and cables	651,835,733	177,803,500	200,993,918	255,392,972	17,645,343
314 Manu.of accumulators primary cells and primary batterie	Group Total	1,297,606,677	162,818,684	288,589,142	815,534,676	30,664,176
	3140 Manu.of accumulators primary cells and primary batteri	1,297,606,677	162,818,684	288,589,142	815,534,676	30,664,176
315 Manu.of electric lamps and lighting equipments	Group Total	276,181,550	47,056,960	157,140,980	47,490,600	24,493,010
	3150 Manu.of electric lamps and lighting equipments	276,181,550	47,056,960	157,140,980	47,490,600	24,493,010
319 Manu.of other electrical equipments n.e.c.	Group Total	1,600,185	-	-	800,185	800,000
	3190 Manu.of other electrical equipments n.e.c	1,600,185	-	-	800,185	800,000
321 Manu.of electronic valves, tubes & other	Group Total	905,104,736	39,771,124	259,297,970	580,327,987	25,707,655
	3210 Manu.of electronic valves, tubes & other	905,104,736	39,771,124	259,297,970	580,327,987	25,707,655
322 Manu.of TV & Radio transmitters	Group Total	41,587,330	1,500,000	6,194,592	29,652,738	4,240,000
	3220 Manu.of TV & radio transmitters & apparatus for line t	41,587,330	1,500,000	6,194,592	29,652,738	4,240,000
323 Manu.of TV & Radio receivers, sound or vedio recording	Group Total	147,353,177	18,411,506	49,339,340	49,793,992	29,808,339
	3230 Manu.of TV & radio receivers sound or video recording	147,353,177	18,411,506	49,339,340	49,793,992	29,808,339
331 Manu.of medical appliances & instruments & appliances f	Group Total	19,883,319	-	13,309,698	5,745,408	828,213
	3313 Manu.of industrial process control equipments	19,883,319	-	13,309,698	5,745,408	828,213
332 Manu.of optical instruments and photographic equipments	Group Total	68,330,000	50,000,000	-	9,760,000	8,570,000
	3320 Manu.of optical instruments and photographic equipment	68,330,000	50,000,000	-	9,760,000	8,570,000
341 Manu.of motor vehicles	Group Total	181,035,771	29,960,228	113,361,283	29,995,549	7,718,711
	3410 Manu.of motor vehicles	181,035,771	29,960,228	113,361,283	29,995,549	7,718,711

(cont.)

**Table 23 : Value of assets (at the beginning of the year) classified by industry - 2007
(Establishments with 5 or more persons engaged)**

Type of industry		Total value (Rs.)	Land value (Rs.)	Building value (Rs.)	Machinery value (Rs.)	Transport value (Rs.)
342 Manu.of bodies for Motor vehicles, Manu. of trailers &	Group Total	91,293,033	69,428,656	12,987,017	8,877,360	-
	3420 Manu.of bodies for Motor vehicles, Manu. of trailers &	91,293,033	69,428,656	12,987,017	8,877,360	-
343 Manu.of spare parts and accessories for motor vehicles	Group Total	621,173,817	99,131,638	190,671,371	302,433,297	28,937,511
	3430 Manu.of spare parts and accessories for motor vehicles	621,173,817	99,131,638	190,671,371	302,433,297	28,937,511
351 Building and repairing of ships and boats	Group Total	2,813,621,606	348,580,958	1,273,360,707	1,082,708,348	108,971,594
	3511 Building and repairing of ships	2,261,631,664	320,953,667	951,409,295	891,913,569	97,355,133
	3512 Building and repairing of pleasure & sporting boats	551,989,943	27,627,291	321,951,411	190,794,779	11,616,461
352 Manu.of railway and tramway locomotives and rolling sto	Group Total	-	-	-	-	-
	3520 Manu.of railway & tramway locomotives & rolling stock	-	-	-	-	-
359 Manu.of transport equipment n.e.c.	Group Total	1,745,339,525	61,927,044	225,187,676	1,389,968,063	68,256,742
	3591 Manu.of motorcycles & motor tricycle (three wheelers)	252,973,657	39,841,250	28,422,136	139,928,193	44,782,078
	3592 Manu.of bicycles & invalid carriages	1,475,913,868	16,085,794	192,013,540	1,249,139,870	18,674,664
	3593 Manu.of other transport equipment	16,452,000	6,000,000	4,752,000	900,000	4,800,000
361 Manu.of furniture	Group Total	7,234,874,103	2,164,113,500	1,795,444,456	2,668,138,893	607,177,254
	3610 Manu.of furniture	7,234,874,103	2,164,113,500	1,795,444,456	2,668,138,893	607,177,254
369 Manu.of other product not elsewhere classified	Group Total	6,055,685,574	714,730,101	2,141,124,027	2,498,338,582	701,492,864
	3691 Manu.of jewellery and related articles	1,121,866,325	53,566,872	272,171,103	738,662,086	57,466,263
	3693 Manu.of sports goods	219,608,427	16,955,046	87,527,020	83,058,160	32,068,201
	3694 Manu.of toys & games	835,321,157	132,688,660	360,317,689	284,494,103	57,820,705
	3699 Other manufacturing not elsewhere classified	3,878,889,665	511,519,522	1,421,108,216	1,392,124,233	554,137,694
372 Recycling of non-metal waste and scrap	Group Total	177,803,280	31,284,717	47,192,391	89,540,792	9,785,380
	3720 Reycling of non-metal waste and scrap	177,803,280	31,284,717	47,192,391	89,540,792	9,785,380
401 Production, collection & distribution of electricity	Group Total	324,622,580,229	13,433,884,270	91,821,088,841	218,804,174,610	563,432,508
	4010 Production, collection & distribution of electricity	324,622,580,229	13,433,884,270	91,821,088,841	218,804,174,610	563,432,508
402 Manu.of gas	Group Total	2,550,949,200	690,928,500	100,502,700	1,552,594,500	206,923,500
	4020 Manu.of gas	2,550,949,200	690,928,500	100,502,700	1,552,594,500	206,923,500
410 Collection, purification and distribution of water	Group Total	52,756,292,834	1,298,633,069	16,171,929,618	33,472,255,995	1,813,474,152
	4100 Collection, purification and distribution of water	52,756,292,834	1,298,633,069	16,171,929,618	33,472,255,995	1,813,474,152
Total		975,333,461,621	101,096,215,381	251,069,954,388	593,250,027,055	29,917,264,796

**Table 24 : Value of gross additions to the fixed assets during the year classified by industry - 2007
(Establishment with 5 or more persons engaged)**

Type of industry		Total (Rs.)	Land (Rs.)	Building (Rs.)	Mechinery (Rs.)	Transport (Rs.)
141 Quarrying of stone Clay and Sand	Group Total	93,767,000	-	451,000	46,611,000	46,705,000
	1411 Quarrying of stone Clay and Sand	1,364,000	-	264,000	825,000	275,000
	1412 Braking of Granite	92,403,000	-	187,000	45,786,000	46,430,000
	1413 Quarrying of Sand & Gravel	-	-	-	-	-
	1414 Quarrying Of Limestone	-	-	-	-	-
142 Mining and Quarrying n.e.c	Group Total	268,252,915	-	81,170,291	185,988,474	1,094,150
	1421 Mining of chemical and Fertilizer minerals	610,000	-	585,000	25,000	-
	1422 Extraction of salt	148,775,440	-	37,849,441	110,925,999	-
	1423 Mining of precious and semi precious stones	1,000,000	-	-	1,000,000	-
	1429 Other Mining & Quarrying N.e.c	117,867,475	-	42,735,850	74,037,475	1,094,150
151 Produ., proce. & preserving of meat, fish,fruit, vegeta	Group Total	1,485,650,306	116,312,000	564,651,982	635,785,866	168,900,458
	1511 Processing and Preserving of Meat and Meat Product	356,319,696	88,700,000	83,627,894	96,840,876	87,150,926
	1512 Processing and Preserving of fish and fish Products	82,218,532	-	11,520,000	11,295,206	59,403,326
	1513 Processing & Preserving of fruits & Vegetables	25,379,402	-	1,754,543	15,043,105	8,581,754
	1514 Manufacture of Vegetable oils animal oils & fats	1,021,732,676	27,612,000	467,749,545	512,606,679	13,764,452
152 Manufacture of Dairy Products	Group Total	639,514,102	-	35,233,381	465,333,884	138,946,837
	1520 Manufacture of Dairy Products	639,514,102	-	35,233,381	465,333,884	138,946,837
153 Manu.of grain mill products and prepared animal feeds	Group Total	3,578,373,124	210,539,000	2,790,220,381	473,688,018	103,925,724
	1531 Manufacture of Grain Mill Products	3,135,741,124	210,539,000	2,525,310,381	319,050,018	80,841,724
	1533 Preparation of Animal food from milling waist	442,632,000	-	264,910,000	154,638,000	23,084,000
154 Manu.of other food products	Group Total	13,559,700,248	429,506,306	4,238,399,896	7,932,995,084	958,798,963
	1541 Manufacture of bakery products	2,235,263,015	146,156,261	205,644,511	1,387,263,452	496,198,791
	1542 Manufacture of Cane sugar and molasses	322,807,307	24,909,208	110,433,552	182,621,297	4,843,250
	1543 Manu.of cocoa, chocolate and sugar confectionary	190,655,170	-	33,505,271	111,965,532	45,184,367
	1544 Manu.of macaroni, noodles couscous and similar farinac	286,459,766	40,029,833	106,725,651	108,487,454	31,216,828
	1545 Manu.of Coffee & Soya Products for drinking	92,948,214	-	14,546,447	77,489,100	912,667
	1546 Manu.of tea and tea products	10,319,845,990	215,916,637	3,693,500,570	6,046,626,990	363,801,793
	1547 Manu.of chilly-power, condiments powder, proce.of spic	111,720,787	2,494,366	74,043,894	18,541,260	16,641,267
	1549 Manu.of other food products n.e.c	-	-	-	-	-
155 Manu.of beverages	Group Total	697,270,115	78,676,522	137,622,196	385,810,754	95,160,643
	1551 Manufacture of beverages	274,677,217	78,676,522	77,424,174	97,369,217	21,207,304
	1552 Manu.of wine, bottled toddy and similar products	-	-	-	-	-
	1553 Manu.of all other beverages such as beer and stout	259,239,226	-	60,198,022	199,041,204	-
	1554 Manu.of beverages such as soft drinks, soda etc	163,353,672	-	-	89,400,333	73,953,339

(cont.)

**Table 24 : Value of gross additions to the fixed assets during the year classified by industry - 2007
(Establishment with 5 or more persons engaged)**

Type of industry		Total (Rs.)	Land (Rs.)	Building (Rs.)	Mechinery (Rs.)	Transport (Rs.)
160 Manu.of tobacco products	Group Total	319,753,986	28,000,000	8,301,974	271,228,412	12,223,600
	1601 Manu.of tobacco products	19,169,978	-	5,283,789	13,886,189	-
	1602 Manu.of Cigarette, Cigar & Beedi	234,020,734	28,000,000	2,000,000	201,822,134	2,198,600
	1609 Tobacco based products	66,563,274	-	1,018,185	55,520,089	10,025,000
171 Spinning, weaving and finishing of Textiles	Group Total	1,762,034,597	48,698,165	164,792,033	1,493,957,752	54,586,647
	1711 Prepa. & spinning of Textiles fibres, weaving of texti	1,125,694,272	48,426,930	150,731,460	908,598,109	17,937,774
	1712 Finishing of Textiles	636,340,325	271,235	14,060,573	585,359,643	36,648,874
172 Manu.of other Textiles	Group Total	1,620,523,701	55,729,333	178,338,677	1,374,594,626	11,861,064
	1721 Manu.of made-up textile article, except apparel	74,024,726	-	64,805,926	9,218,799	-
	1722 Manu.of carpets and rugs	24,485,248	-	17,304,911	1,903,970	5,276,367
	1723 Manu.of Cordage, Rope, twine & netting	1,338,453,906	55,613,333	90,892,119	1,191,748,454	200,000
	1724 Manufacture of Sanitary Towels & Pampers	900,000	-	900,000	-	-
	1726 Manu. of Laces and embroidered cloths	51,929,608	116,000	3,804,800	42,528,116	5,480,692
	1727 Manu. of Labels, badges (cloth based)	130,730,213	-	630,921	129,195,287	904,005
	1729 Cloth and coir based other products	-	-	-	-	-
173 Manu.of knitted and crocheted fabrics and articles	Group Total	66,237,573,092	164,913,561	4,061,750,279	61,962,183,542	48,725,710
	1731 Manufacture of knitted Garments	62,859,149,902	-438,905	3,318,685,896	59,525,688,545	15,214,366
	1732 Manufacture of knitted socks, purses and Hand glouses	1,249,811,400	161,075,132	667,318,014	412,457,260	8,960,993
	1733 Manufacture of Knitted Lace	1,188,813,471	-	-	1,188,813,471	-
	1739 Elastomeric Yarn & other rubber thread based products	939,798,320	4,277,333	75,746,369	835,224,266	24,550,351
181 Manu.of weaving Apparel except fur apparels	Group Total	14,608,153,888	853,248,040	2,909,625,445	10,584,327,713	260,952,690
	1810 Manufacture of weaving Apparel, except fur apparels	14,608,153,888	853,248,040	2,909,625,445	10,584,327,713	260,952,690
191 Tanning & dressing of leather; manu. of luggage, Hand b	Group Total	8,322,297	-	331,050	7,991,247	-
	1912 Manu.of luggage, hand bags	75,000	-	-	75,000	-
	1913 Manu. of Bags & rain coats, artificial leather product	8,247,297	-	331,050	7,916,247	-
192 Manu.of footwear	Group Total	122,780,284	8,266,300	25,025,754	86,593,151	2,895,079
	1920 Manufacturing of footwear	122,780,284	8,266,300	25,025,754	86,593,151	2,895,079
201 Saw-milling and planning of wood	Group Total	32,402,127	6,484,763	2,058,893	7,874,211	15,984,260
	2010 Saw-milling and planning of wood	32,402,127	6,484,763	2,058,893	7,874,211	15,984,260
202 Manu.of produ. of wood, cork, straw & plaiting material	Group Total	187,794,656	22,297,478	24,806,004	113,558,394	27,132,781
	2021 Manu.of veneer sheets, plywood, lamin board, particle	39,222,091	-	864,741	38,357,350	-
	2022 Manufacture of builders carpentry and joinery	10,752,500	7,000,000	700,000	3,052,500	-
	2024 Manu.of produ. by cork barks, wood utencils from reed,	-	-	-	-	-
	2025 Manu.of Household utencils of other wooden article and	121,289,269	15,297,478	23,241,263	71,884,414	10,866,114
	2028 Manu.of other office equipment & wood articles	16,530,797	-	-	264,130	16,266,667

(cont.)

**Table 24 : Value of gross additions to the fixed assets during the year classified by industry - 2007
(Establishment with 5 or more persons engaged)**

Type of industry		Total (Rs.)	Land (Rs.)	Building (Rs.)	Mechinery (Rs.)	Transport (Rs.)
210 Manu.of paper and paper products	Group Total	1,009,326,219	155,293,606	545,567,365	259,208,792	49,256,456
	2101 Manufacture of pulp, paper and paperboards	21,497,401	-	13,941,341	6,407,707	1,148,353
	2102 Manu.of corrugated paper & paperboard & containers of	311,758,137	19,293,606	85,633,915	159,302,323	47,528,293
	2103 Manufacture of cards, files, books and pads	318,118,572	136,000,000	88,040,000	93,498,762	579,810
	2104 Manu.of toys, plates, cups, spoons, knives & ornaments	-	-	-	-	-
	2109 Manu.of pulp paper and paper boards articles n.e.c	357,952,109	-	357,952,109	-	-
221 Publishing, printing and reproduction of recorded media	Group Total	-	-	-	-	-
	2211 Publishing of books, brochures, musical books	-	-	-	-	-
222 Printing & service activities related to printing for o	Group Total	2,067,688,210	15,600,000	83,454,920	1,924,584,075	44,049,215
	2221 Printing of newspapers, journals & periodicals for oth	1,749,678,121	15,600,000	83,454,920	1,613,330,432	37,292,770
	2222 Service activities related to printing	318,010,089	-	-	311,253,643	6,756,446
232 Manu.of refined petroleum products	Group Total	330,149,273	9,416,639	90,642,444	222,196,190	7,894,000
	2320 Manu.of refined petroleum products	330,149,273	9,416,639	90,642,444	222,196,190	7,894,000
241 Manu.of basic chemicals	Group Total	3,488,823,841	2,412,533,169	989,774,376	68,574,168	17,942,128
	2412 Manu.of fertilizer & nitrogen compounds	-	-	-	-	-
	2413 Manu.of plastic in primary forms and synthetic rubber	3,406,834,477	2,412,533,169	982,351,529	3,882,353	8,067,426
	2414 Manu.of Natural carbonic fertilizers	81,989,364	-	7,422,847	64,691,815	9,874,702
242 Manu.of other chemical products	Group Total	798,876,395	49,860,988	182,457,093	346,736,427	219,821,887
	2421 Manu.of pesticides and other agro-chemical products	228,938,245	-	5,885,440	81,978,059	141,074,747
	2422 Manu.of paints, varnishes & similar coatings, printing	138,498,897	-	49,245,596	79,116,542	10,136,759
	2423 Manu.of pharmaceuticals, medicinal chemicals & botanica	279,271,847	2,615,361	87,724,766	142,651,484	46,280,237
	2424 Manu.of soap & detergent, cleaning, perfumies & toilet	58,511,388	5,500,000	12,141,245	19,683,898	21,186,245
	2425 Manu.of explosives, crackers and other firework	-	-	-	-	-
	2426 Manu.of mosquito-coils, camphor, naphthaline balls, inc	-	-	-	-	-
	2427 Manu.of processed salt (for food)	26,902,352	-	26,902,352	-	-
	2428 Manu.of chemicals and activated carbon	64,773,666	41,745,627	197,694	22,586,445	243,900
	2429 Manu.of other chemical products n.e.c	1,980,000	-	360,000	720,000	900,000
	251 Manu.of rubber products	Group Total	3,922,502,663	751,924,870	451,771,206	2,469,421,340
2511 Manu.of rubber tyres and tubes, rebuilding of rubber t		2,014,038,094	8,681,400	281,381,984	1,689,659,441	34,315,270
2512 Manu.of rubber condoms, rubber gloves		162,332,660	-	60,789,837	100,567,835	974,988
2513 Manu.of product from natural rubber		355,744,129	6,993,470	98,492,446	89,342,553	160,915,659
2514 Manu.of article of rubber		920,069,858	618,750,000	5,353,014	263,766,844	32,200,000
2519 Manu.of rubber products (not classified elsewhere)		470,317,922	117,500,000	5,753,925	326,084,668	20,979,329
252 Manu.of plastic products	Group Total	1,265,082,227	165,341,728	288,779,255	715,741,135	95,220,109
	2520 Manu.of plastic products	1,265,082,227	165,341,728	288,779,255	715,741,135	95,220,109

(cont.)

**Table 24 : Value of gross additions to the fixed assets during the year classified by industry - 2007
(Establishment with 5 or more persons engaged)**

Type of industry		Total (Rs.)	Land (Rs.)	Building (Rs.)	Mechinery (Rs.)	Transport (Rs.)	
269 Manu.of Non metallic mineral products(Not elsewhere cla	Group Total	3,535,434,075	549,206,328	330,755,365	1,775,091,029	880,381,353	
	2691 Manu.of non-structural non-refractory ceramic ware	483,768,887	372,638,000	12,856,000	86,738,887	11,536,000	
	2693 Manu.of structural non refractory clay & ceramic produ	1,255,237,781	122,185,780	166,274,101	913,087,915	53,689,985	
	2694 Manu.of cement lime, and plaster	25,716,429	-	-	25,716,429	-	
	2695 Manu.of articles of concrete, cement & plaster	642,891,961	33,678,448	139,795,264	338,826,281	130,591,968	
	2696 Cutting, shaping & finishing of rough stones	1,025,465,589	20,704,100	11,830,000	334,197,660	658,733,829	
	2697 Refining of Ilmanite, surcon & refining of plumbago	-	-	-	-	-	
	2699 Manu.of other non-metalic mineral products n.e.c	102,353,429	-	-	76,523,857	25,829,571	
271 Manu.of basic iron & steel	Group Total	10,829,651	-	976,915	3,765,168	6,087,568	
	2710 Manu.of basic iron & steel	10,829,651	-	976,915	3,765,168	6,087,568	
272 Manu.of basic precious & non-ferrous metal	Group Total	-	-	-	-	-	
	2720 Manu.of basic precious & non-ferrous metal	-	-	-	-	-	
273 Casting of metals	Group Total	6,320,841,309	58,866,667	234,459,069	5,817,526,869	209,988,705	
	2731 Casting of iron & steel	5,876,176,191	-	39,140,935	5,654,688,015	182,347,240	
	2732 Casting of Non ferrous metals	444,665,119	58,866,667	195,318,133	162,838,854	27,641,465	
281 Manu.of structural metal products, tanks, reservoirs &	Group Total	103,090,783	-	69,852,000	33,238,783	-	
	2811 Manu.of structural metal products	72,757,500	-	69,570,000	3,187,500	-	
	2812 Manu.of tanks, resorvoirs & containers of metal except	30,333,283	-	282,000	30,051,283	-	
289 Manu.of other fabricated metal products	Group Total	199,356,788	-	143,381,812	39,434,376	16,540,600	
	2892 Treatment & coating of metal general mechanical engine	2,780,662	-	-	2,780,662	-	
	2893 Manu.of cutlery, hand tools & general hardware	133,654,528	-	132,935,998	718,530	-	
	2894 Manu.of other brass articles	1,210,000	-	-	1,210,000	-	
	2895 Manu.of non threaded metal products	5,257,397	-	-	294,613	4,962,783	
	2896 Manu.of Metal cooking utensils, household appliances &	3,509,000	-	1,512,500	302,500	1,694,000	
	2897 Manu.of Metal cables and similar articles	-	-	-	-	-	
	2898 Manu.of Containers used for the packing or conveyance	1,776,000	-	-	1,776,000	-	
	2899 Manu.of other fabricated metal products	51,169,202	-	8,933,314	32,352,071	9,883,817	
	291 Manu.of general purpose machinery	Group Total	157,430,802	525,331	60,417,554	78,198,326	18,289,591
		2911 Manu.of engine and turbines, except aircraft, vehicle	-	-	-	-	-
2912 Manu.of pumps, compressors, taps and valves		157,430,802	525,331	60,417,554	78,198,326	18,289,591	
2919 Manu.of other general purpose machinery		-	-	-	-	-	

(cont.)

**Table 24 : Value of gross additions to the fixed assets during the year classified by industry - 2007
(Establishment with 5 or more persons engaged)**

Type of industry		Total (Rs.)	Land (Rs.)	Building (Rs.)	Mechinery (Rs.)	Transport (Rs.)
292 Manu.of special purpose machinery	Group Total	338,978,789	30,666,667	108,003,253	142,075,536	58,233,333
	2921 Manu.of agricultural & forestry machinery	317,639,808	30,666,667	101,333,333	127,406,474	58,233,333
	2925 Manu.of machinery for Food, beverage & tobacco proce.	1,300,000	-	600,000	700,000	-
	2926 Manu.of machinery for textile, apparel & leather produ	13,680,496	-	6,069,920	7,610,576	-
	2929 Manu.of other special purpose machinery (Not elsewhere	6,358,486	-	-	6,358,486	-
293 Manu.of domestic appliance n.e.c.	Group Total	70,871,811	-	25,615,320	43,573,933	1,682,558
	2930 Manu.of domestic appliance n.e.c.	70,871,811	-	25,615,320	43,573,933	1,682,558
300 Manu.of office, accounting and computing machinery	Group Total	48,734,145	-	967,616	46,050,033	1,716,496
	3000 Manu.of office, accounting and computing machinery	48,734,145	-	967,616	46,050,033	1,716,496
311 Manu.of electronic motors, generators and transformers	Group Total	154,483,123	1,176,003	33,238,893	108,915,727	11,152,500
	3110 Manu.of electric motors, generators and transformers	154,483,123	1,176,003	33,238,893	108,915,727	11,152,500
312 Manu.of electricity distribution and control apparatus	Group Total	143,433,374	100,000	15,664,729	117,600,303	10,068,343
	3120 Manu.of electricity distribution and control apparatus	143,433,374	100,000	15,664,729	117,600,303	10,068,343
313 Manu.of insulated wire and cables	Group Total	526,139,200	220,300,417	258,490,145	45,604,083	1,744,555
	3130 Manu.of insulated wire and cables	526,139,200	220,300,417	258,490,145	45,604,083	1,744,555
314 Manu.of accumulators primary cells and primary batterie	Group Total	585,285,946	80,920,000	23,491,580	474,787,936	6,086,430
	3140 Manu.of accumulators primary cells and primary batteri	585,285,946	80,920,000	23,491,580	474,787,936	6,086,430
315 Manu.of electric lamps and lighting equipments	Group Total	-	-	-	-	-
	3150 Manu.of electric lamps and lighting equipments	-	-	-	-	-
319 Manu.of other electrical equipments n.e.c.	Group Total	-	-	-	-	-
	3190 Manu.of other electrical equipments n.e.c	-	-	-	-	-
321 Manu.of electronic valves, tubes & other	Group Total	235,446,501	-	56,816,422	166,046,903	12,583,176
	3210 Manu.of electronic valves, tubes & other	235,446,501	-	56,816,422	166,046,903	12,583,176
322 Manu.of TV & Radio transmitters	Group Total	855,000	-	-	855,000	-
	3220 Manu.of TV & radio transmitters & apparatus for line t	855,000	-	-	855,000	-
323 Manu.of TV & Radio receivers, sound or vedio recording	Group Total	490,790	-	140,000	350,790	-
	3230 Manu.of TV & radio receivers sound or video recording	490,790	-	140,000	350,790	-
331 Manu.of medical appliances & instruments & appliances f	Group Total	737,550	-	-	-	737,550
	3313 Manu.of industrial process control equipments	737,550	-	-	-	737,550
332 Manu.of optical instruments and photographic equipments	Group Total	-	-	-	-	-
	3320 Manu.of optical instruments and photographic equipment	-	-	-	-	-
341 Manu.of motor vehicles	Group Total	398,581	-	-	548,581	-150,000
	3410 Manu.of motor vehicles	398,581	-	-	548,581	-150,000

(cont.)

**Table 24 : Value of gross additions to the fixed assets during the year classified by industry - 2007
(Establishment with 5 or more persons engaged)**

Type of industry		Total (Rs.)	Land (Rs.)	Building (Rs.)	Mechinery (Rs.)	Transport (Rs.)
342 Manu.of bodies for Motor vehicles, Manu. of trailers &	Group Total	1,799,100	-	1,500,000	299,100	-
	3420 Manu.of bodies for Motor vehicles, Manu. of trailers &	1,799,100	-	1,500,000	299,100	-
343 Manu.of spare parts and accessories for motor vehicles	Group Total	465,582,922	16,000,000	15,271,711	425,311,211	9,000,000
	3430 Manu.of spare parts and accessories for motor vehicles	465,582,922	16,000,000	15,271,711	425,311,211	9,000,000
351 Building and repairing of ships and boats	Group Total	611,676,744	11,600,000	338,804,994	261,117,402	154,348
	3511 Building and repairing of ships	539,865,065	11,600,000	310,392,491	217,718,226	154,348
	3512 Building and repairing of pleasure & sporting boats	71,811,679	-	28,412,503	43,399,176	-
352 Manu.of railway and tramway locomotives and rolling sto	Group Total	-	-	-	-	-
	3520 Manu.of railway & tramway locomotives & rolling stock	-	-	-	-	-
359 Manu.of transport equipment n.e.c.	Group Total	463,629,342	20,406,000	8,964,425	419,360,650	14,898,267
	3591 Manu.of motorcycles & motor tricycle (three wheelers)	28,800,000	19,800,000	-	9,000,000	-
	3592 Manu.of bicycles & invalid carriages	434,829,342	606,000	8,964,425	410,360,650	14,898,267
	3593 Manu.of other transport equipment	-	-	-	-	-
361 Manu.of furniture	Group Total	2,116,855,112	1,193,972,587	311,905,946	410,167,253	200,809,326
	3610 Manu.of furniture	2,116,855,112	1,193,972,587	311,905,946	410,167,253	200,809,326
369 Manu.of other product not elsewhere classified	Group Total	845,433,082	13,070,130	364,860,323	401,497,756	66,004,873
	3691 Manu.of jewellery and related articles	233,553,356	187,980	191,274,076	36,116,451	5,974,848
	3693 Manu.of sports goods	20,884,912	4,977,150	3,816,288	11,876,206	215,267
	3694 Manu.of toys & games	171,129,352	7,791,667	68,186,693	95,147,492	3,500
	3699 Other manufacturing not elsewhere classified	419,865,462	113,333	101,583,265	258,357,607	59,811,257
372 Recycling of non-metal waste and scrap	Group Total	58,705,941	-	1,902,535	56,803,406	-
	3720 Reycling of non-metal waste and scrap	58,705,941	-	1,902,535	56,803,406	-
401 Production, collection & distribution of electricity	Group Total	50,467,361,680	1,892,000,000	12,206,000,000	35,936,420,056	432,941,624
	4010 Production, collection & distribution of electricity	50,467,361,680	1,892,000,000	12,206,000,000	35,936,420,056	432,941,624
402 Manu.of gas	Group Total	-	-	-	-	-
	4020 Manu.of gas	-	-	-	-	-
410 Collection, purification and distribution of water	Group Total	11,915,701,103	188,957,480	3,183,095,442	8,463,104,867	80,543,314
	4100 Collection, purification and distribution of water	11,915,701,103	188,957,480	3,183,095,442	8,463,104,867	80,543,314
Total		197,483,898,512	9,860,410,077	35,649,801,945	147,302,729,331	4,670,957,158

**Table 25 : Economic indicators of industrial activity classified by industry - 2007
(Establishments with 5 or more persons engaged)**

Type of industry	Output per Person engaged	Output per Input	Output per Assets (end of the year)	Value added per Person engaged	Value added per Input	Value added per Assets (end of the year)
1411 Quarrying of stone Clay and Sand	133,282	6	5	109,371	5	4
1412 Braking of Granite	407,865	3	2	266,269	2	1
1413 Quarrying of Sand & Gravel	2,115,404	4	2	1,622,138	3	2
1414 Quarrying Of Limestone	162,450	18	-	153,450	17	-
1421 Mining of chemical and Fertilizer minerals	753,396	2	3	356,653	1	2
1422 Extraction of salt	314,994	10	1	282,512	9	1
1423 Mining of precious and semi precious stones	229,110	3	10	152,407	2	7
1429 Other Mining & Quarrying N.e.c	1,065,977	3	2	660,489	2	1
1511 Processing and Preserving of Meat and Meat Product	2,501,251	2	5	846,754	1	2
1512 Processing and Preserving of fish and fish Products	5,723,492	1	12	1,847,964	-	4
1513 Processing & Preserving of fruits & Vegetables	1,540,895	2	2	813,562	1	1
1514 Manufacture of Vegetable oils animal oils & fats	1,236,468	1	2	356,470	-	1
1520 Manufacture of Dairy Products	10,080,543	1	18	2,492,478	-	5
1531 Manufacture of Grain Mill Products	6,543,549	1	4	1,495,986	-	1
1533 Preparation of Animal food from milling waist	4,219,693	2	4	2,461,844	1	2
1541 Manufacture of bakery products	1,327,596	2	2	666,739	1	1
1542 Manufacture of Cane sugar and molasses	2,073,678	2	1	720,238	1	-
1543 Manu.of cocoa, chocolate and sugar confectionary	1,186,952	2	3	500,318	1	1
1544 Manu.of macaroni, noodles couscous and similar farinac	1,273,464	1	1	405,607	-	-
1545 Manu.of Coffee & Soya Products for drinking	1,157,088	2	3	540,256	1	1
1546 Manu.of tea and tea products	3,137,063	2	6	1,686,927	1	3
1547 Manu.of chilly-power, condiments powder, proce.of spic	1,033,521	3	5	641,354	2	3
1549 Manu.of other food products n.e.c	200,362	2	25	80,623	1	10
1551 Manufacture of beverages	14,978,710	5	7	11,715,123	4	5
1552 Manu.of wine, bottled toddy and similar products	338,539	2	3	154,181	1	1
1553 Manu.of all other beverages such as beer and stout	26,293,825	7	2	22,412,259	6	1
1554 Manu.of beverages such as soft drinks, soda etc	1,242,157	3	1	799,766	2	1

(cont.)

**Table 25 : Economic indicators of industrial activity classified by industry - 2007
(Establishments with 5 or more persons engaged)**

Type of industry	Output per Person engaged	Output per Input	Output per Assets (end of the year)	Value added per Person engaged	Value added per Input	Value added per Assets (end of the year)
1601 Manu.of tobacco products	789,206	5	6	645,363	4	5
1602 Manu.of Cigarette, Cigar & Beedi	13,366,050	14	18	12,402,118	13	17
1609 Tobacco based products	847,157	2	1	397,587	1	-
1711 Prepa. & spinning of Textiles fibres, weaving of texti	756,951	1	2	212,374	-	1
1712 Finishing of Textiles	2,747,221	1	4	766,637	-	1
1721 Manu.of made-up textile article, except apparel	413,570	2	8	179,616	1	4
1722 Manu.of carpets and rugs	507,628	2	2	195,757	1	1
1723 Manu.of Cordage, Rope, twine & netting	1,805,288	1	3	540,377	-	1
1724 Manufacture of Sanitary Towels & Pampers	175,027	2	1	64,220	1	-
1726 Manu. of Laces and embroidered cloths	533,583	2	-	305,585	1	-
1727 Manu. of Labels, badges (cloth based)	2,802,244	2	2	1,635,845	1	1
1729 Cloth and coir based other products	418,500	27	4	403,225	26	4
1731 Manufacture of knitted Garments	7,720,799	1	2	2,335,439	-	1
1732 Manufacture of knitted socks, purses and Hand glouses	814,095	2	2	366,081	1	1
1733 Manufacture of Knitted Lace	3,174,602	2	-	1,212,677	1	-
1739 Elastomeric Yarn & other rubber thread based products	2,579,550	2	2	1,200,640	1	1
1810 Manufacture of weaving Apparel, except fur apparels	897,861	2	3	426,805	1	2
1912 Manu.of luggage, hand bags	182,218	2	2	87,255	1	1
1913 Manu. of Bags & rain coats, artificial leather product	942,841	1	6	304,008	-	2
1920 Manufacturing of footwear	842,373	2	5	337,843	1	2
2010 Saw-milling and planning of wood	407,893	2	1	203,837	1	1
2021 Manu.of veneer sheets, plywood, lamin board, particle	393,626	2	2	177,847	1	1
2022 Manufacture of builders carpentry and joinery	264,303	2	2	133,131	1	1
2024 Manu.of produ. by cork barks, wood utencils from reed,	27,268	4	-	19,918	3	-
2025 Manu.of Household utencils of other wooden article and	297,778	2	1	139,777	1	-
2028 Manu.of other office equipment & wood articles	311,415	2	1	174,654	1	1
2101 Manufacture of pulp, paper and paperboards	794,429	2	4	302,833	1	1

(cont.)

**Table 25 : Economic indicators of industrial activity classified by industry - 2007
(Establishments with 5 or more persons engaged)**

Type of industry	Output per Person engaged	Output per Input	Output per Assets (end of the year)	Value added per Person engaged	Value added per Input	Value added per Assets (end of the year)
2102 Manu.of corrugated paper & paperboard & containers of	3,380,429	1	5	930,640	-	1
2103 Manufacture of cards, files, books and pads	406,311	2	-	176,488	1	-
2104 Manu.of toys, plates, cups, spoons, knives & ornaments	87,176	15	2	81,297	14	2
2109 Manu.of pulp paper and paper boards articles n.e.c	4,515,043	1	15	896,702	-	3
2211 Publishing of books, brochures, musical books	1,235,126	1	5	262,911	-	1
2221 Printing of newspapers, journals & periodicals for oth	1,460,582	2	2	566,938	1	1
2222 Service activities related to printing	810,117	4	1	609,810	3	1
2320 Manu.of refined petroleum products	41,326,011	1	27	4,036,166	-	3
2412 Manu.of fertilizer & nitrogen compounds	448,540	4	-	325,619	3	-
2413 Manu.of plastic in primary forms and synthetic rubber	1,684,995	2	-	668,511	1	-
2414 Manu.of Natural carbonic fertilizers	13,180,593	2	18	6,556,996	1	9
2421 Manu.of pesticides and other agro-chemical products	8,904,520	1	21	2,463,558	-	6
2422 Manu.of paints, varnishes & similar coatings, printing	5,280,864	2	4	2,018,660	1	2
2423 Manu.of pharmaceuticals, medicinal chemicals & botanica	2,210,979	2	5	975,166	1	2
2424 Manu.of soap & detergent, cleaning, perfumies & toilet	2,787,598	1	3	672,199	-	1
2425 Manu.of explosives, crackers and other firework	209,094	2	3	116,768	1	2
2426 Manu.of mosquito-coils, camphor, naphthaline balls, inc	357,313	4	4	260,922	3	3
2427 Manu.of processed salt (for food)	288,179	4	7	218,473	3	5
2428 Manu.of chemicals and activated carbon	2,254,051	2	3	1,305,187	1	2
2429 Manu.of other chemical products n.e.c	161,111	8	1	140,833	7	1
2511 Manu.of rubber tyres and tubes, rebuilding of rubber t	3,629,436	2	4	1,909,027	1	2
2512 Manu.of rubber condoms, rubber gloves	1,054,901	1	3	340,501	-	1
2513 Manu.of product from natural rubber	1,942,852	2	7	843,122	1	3
2514 Manu.of article of rubber	2,634,717	2	3	1,147,245	1	1
2519 Manu.of rubber products (not classified elsewhere)	1,479,007	2	3	780,594	1	2
2520 Manu.of plastic products	1,993,410	2	3	830,894	1	1
2691 Manu.of non-structural non-refractory ceramic ware	977,225	2	1	519,455	1	1

(cont.)

**Table 25 : Economic indicators of industrial activity classified by industry - 2007
(Establishments with 5 or more persons engaged)**

Type of industry	Output per Person engaged	Output per Input	Output per Assets (end of the year)	Value added per Person engaged	Value added per Input	Value added per Assets (end of the year)
2693 Manu.of structural non refractory clay & ceramic produ	538,039	2	1	230,961	1	-
2694 Manu.of cement lime, and plaster	15,063,348	3	30	9,575,999	2	19
2695 Manu.of articles of concrete, cement & plaster	735,939	2	4	314,920	1	2
2696 Cutting, shaping & finishing of rough stones	618,411	3	-	398,995	2	-
2697 Refining of Ilmanite, surcon & refinding of plumbago	135,417	4	-	104,472	3	-
2699 Manu.of other non-metallic mineral products n.e.c	1,293,731	2	1	629,704	1	-
2710 Manu.of basic iron & steel	23,364,486	1	6	680,110	-	-
2720 Manu.of basic precious & non-ferrous metal	12,717,376	1	-	3,808,222	-	-
2731 Casting of iron & steel	1,418,100	1	-	320,569	-	-
2732 Casting of Non ferrous metals	4,315,648	2	6	2,528,951	1	3
2811 Manu.of structural metal products	278,409	2	1	165,768	1	-
2812 Manu.of tanks, resorvoirs & containers of metal except	1,086,336	3	2	718,906	2	1
2892 Treatment & coating of metal general mechanical engine	614,511	2	2	265,859	1	1
2893 Manu.of cutlery, hand tools & general hardware	552,848	1	1	163,616	-	-
2894 Manu.of other brass articles	801,575	1	21	124,235	-	3
2895 Manu.of non threaded metal products	2,589,542	2	4	1,092,058	1	2
2896 Manu.of Metal cooking utensils, household appliances &	102,059	2	-	51,249	1	-
2897 Manu.of Metal cables and similar articles	166,667	9	-	148,233	8	-
2898 Manu.of Containers used for the packing or conveyance	454,481	1	1	142,286	-	-
2899 Manu.of other fabricated metal products	2,064,391	2	2	757,608	1	1
2911 Manu.of engine and turbines, except aircraft, vehicle	518,174	24	1	496,282	23	1
2912 Manu.of pumps, compressors, taps and valves	492,142	2	2	175,708	1	1
2919 Manu.of other general purpose machinery	175,308	6	2	145,189	5	2
2921 Manu.of agricultural & forestry machinery	2,011,223	1	7	507,597	-	2
2925 Manu.of machinery for Food, beverage & tobacco proce.	517,938	2	2	226,239	1	1
2926 Manu.of machinery for textile, apparel & leather produ	4,258,511	1	2	1,195,409	-	1
2929 Manu.of other special purpose machinery (Not elsewhere	2,285,690	2	2	872,587	1	1

(cont.)

**Table 25 : Economic indicators of industrial activity classified by industry - 2007
(Establishments with 5 or more persons engaged)**

Type of industry	Output per Person engaged	Output per Input	Output per Assets (end of the year)	Value added per Person engaged	Value added per Input	Value added per Assets (end of the year)
2930 Manu.of domestic appliance n.e.c.	4,903,697	1	5	763,494	-	1
3000 Manu.of office, accounting and computing machinery	1,174,147	2	6	561,202	1	3
3110 Manu.of electric motors, generators and transformers	2,312,596	2	10	814,043	1	3
3120 Manu.of electricity distribution and control apparatus	1,929,831	2	3	672,362	1	1
3130 Manu.of insulated wire and cables	16,015,992	1	25	4,971,860	-	8
3140 Manu.of accumulators primary cells and primary batteri	4,540,290	1	2	1,098,323	-	1
3150 Manu.of electric lamps and lighting equipments	634,422	1	1	37,937	-	-
3190 Manu.of other electrical equipments n.e.c	250,000	2	1	86,404	1	-
3210 Manu.of electronic valves, tubes & other	1,285,296	2	3	539,247	1	1
3220 Manu.of TV & radio transmitters & apparatus for line t	165,473	6	1	139,563	5	1
3230 Manu.of TV & radio receivers sound or video recording	807,346	1	3	216,168	-	1
3313 Manu.of industrial process control equipments	988,644	2	2	433,770	1	1
3320 Manu.of optical instruments and photographic equipment	208,985	2	-	89,308	1	-
3410 Manu.of motor vehicles	442,065	2	1	177,518	1	-
3420 Manu.of bodies for Motor vehicles, Manu. of trailers &	151,103	2	1	67,786	1	-
3430 Manu.of spare parts and accessories for motor vehicles	1,500,497	2	2	784,902	1	1
3511 Building and repairing of ships	3,174,497	2	4	1,270,473	1	2
3512 Building and repairing of pleasure & sporting boats	1,080,611	2	5	377,218	1	2
3520 Manu.of railway & tramway locomotives & rolling stock	133,286	8	-	116,545	7	-
3591 Manu.of motorcycles & motor tricycle (three wheelers)	219,254	4	-	160,336	3	-
3592 Manu.of bicycles & invalid carriages	3,078,935	2	5	1,707,625	1	3
3593 Manu.of other transport equipment	600,000	2	2	218,454	1	1
3610 Manu.of furniture	1,043,797	2	2	356,543	1	1
3691 Manu.of jewellery and related articles	1,433,712	2	4	502,450	1	1
3693 Manu.of sports goods	630,381	2	2	286,047	1	1
3694 Manu.of toys & games	655,134	3	4	464,076	2	3
3699 Other manufacturing not elsewhere classified	648,343	2	2	272,806	1	1

(cont.)

**Table 25 : Economic indicators of industrial activity classified by industry - 2007
(Establishments with 5 or more persons engaged)**

Type of industry	Output per Person engaged	Output per Input	Output per Assets (end of the year)	Value added per Person engaged	Value added per Input	Value added per Assets (end of the year)
3720 Reycling of non-metal waste and scrap	1,705,505	2	4	657,723	1	2
4010 Production, collection & distribution of electricity	7,159,408	2	-	4,238,950	1	-
4020 Manu.of gas	26,029,916	6	3	22,003,961	5	3
4100 Collection, purification and distribution of water	838,714	4	-	627,006	3	-

**Table 26 : Principal indicators of industrial activity classified by investment size class - 2007
(Establishments with 5 or more persons engaged)**

Investment (assets at the end of the year) size class		No. of establishments	Persons engaged (No.)	Employees (No.)	Salaries & Wages (Rs.)	Value of output (Rs.)	Value of input (Rs.)	Value added (Rs.)	Gross additions to fixed assets (Rs.)
14 Other Mining and Quarrying	Group Total	1,366	24,028	20,405	2,001,337,449	8,773,477,594	2,191,570,326	6,581,907,268	362,019,915
	less than 250,000	543	3,789	3,395	260,763,440	622,667,050	136,037,214	486,629,836	35,396,000
	250,000 - 499,999	102	2,592	1,782	113,464,400	414,616,667	216,768,400	197,848,267	7,766,000
	500,000 - 999,999	255	5,004	3,315	178,151,667	1,539,999,500	527,232,500	1,012,767,000	1,550,000
	1,000,000 - 14,999,999	413	4,022	3,625	392,280,957	1,586,405,380	456,374,915	1,130,030,465	50,577,270
	50,000,000 - 99,999,999	48	7,920	7,588	912,525,440	2,600,977,490	290,386,139	2,310,591,351	149,135,440
	100,000,000 - 199,999,999	5	315	315	52,800,000	1,575,230,120	389,871,525	1,185,358,595	-
	200,000,000 - 399,999,999	1	386	386	91,351,545	433,581,387	174,899,633	258,681,754	117,595,205
15 Manu.of food products and beverages	Group Total	4,471	137,632	128,386	15,602,386,439	430,314,908,725	241,811,761,886	188,503,146,839	19,960,507,896
	less than 250,000	1,188	32,757	30,565	2,983,450,121	47,482,064,996	21,641,649,712	25,840,415,284	4,968,800
	250,000 - 499,999	106	1,356	1,149	119,985,328	841,602,162	347,648,381	493,953,782	430,116
	500,000 - 999,999	303	3,871	2,034	197,919,449	7,070,549,225	4,839,475,440	2,231,073,785	18,451,200
	1,000,000 - 14,999,999	2,272	32,571	29,058	3,132,054,340	42,145,281,104	29,332,177,847	12,813,103,257	539,309,336
	15,000,000 - 49,999,999	390	24,413	23,728	3,036,491,184	64,605,044,145	37,615,292,137	26,989,752,008	1,411,711,989
	50,000,000 - 99,999,999	72	7,327	7,293	946,091,605	16,723,227,170	7,247,617,356	9,475,609,814	550,210,781
	100,000,000 - 199,999,999	28	5,614	5,601	758,688,859	18,337,994,659	12,125,439,491	6,212,555,168	453,114,897
200,000,000 - 399,999,999	51	11,138	11,119	1,540,962,404	63,068,972,206	49,636,248,385	13,432,723,820	2,035,298,691	
400,000,000 & above	60	18,587	17,839	2,886,743,148	170,040,173,059	79,026,213,137	91,013,959,922	14,947,012,086	
16 Manu.of tobacco products	Group Total	129	4,896	4,623	1,239,314,190	36,961,246,985	3,291,266,358	33,669,980,627	319,753,986
	less than 250,000	18	179	128	6,487,000	29,271,700	18,132,190	11,139,510	2,500
	250,000 - 499,999	7	147	140	5,670,000	20,120,338	945,000	19,175,338	-
	500,000 - 999,999	28	269	193	7,141,600	47,673,174	35,057,976	12,615,198	-
	1,000,000 - 14,999,999	59	1,546	1,436	63,840,071	366,033,212	136,616,624	229,416,588	28,230,000
	15,000,000 - 49,999,999	2	312	308	27,813,620	158,002,000	92,374,916	65,627,084	6,013,234
	50,000,000 - 99,999,999	13	760	736	139,143,315	1,311,183,498	529,419,438	781,764,060	18,974,978
	400,000,000 & above	2	1,683	1,683	989,218,584	35,028,963,063	2,478,720,214	32,550,242,849	266,533,274
17 Manu.of Textiles	Group Total	2,181	134,888	133,087	44,040,362,653	609,485,892,094	421,126,131,435	188,359,760,659	69,620,131,390
	less than 250,000	800	21,394	21,196	1,575,052,125	5,561,461,415	2,397,259,468	3,164,201,947	69,966,555
	250,000 - 499,999	216	2,169	1,825	63,441,632	195,654,237	93,018,123	102,636,114	90,000
	500,000 - 999,999	162	1,767	1,649	73,680,054	203,465,152	82,485,933	120,979,219	-
	1,000,000 - 14,999,999	767	7,428	6,424	588,491,625	2,533,956,333	843,127,245	1,690,829,088	65,809,382
	15,000,000 - 49,999,999	39	3,745	3,718	313,158,448	1,966,288,666	1,152,583,298	813,705,368	72,429,517
	50,000,000 - 99,999,999	39	4,905	4,902	690,044,742	4,660,363,973	2,273,460,545	2,386,903,428	126,630,953
	100,000,000 - 199,999,999	38	3,974	3,877	548,080,341	4,532,794,885	3,342,831,239	1,189,963,647	40,482,019
200,000,000 - 399,999,999	13	4,295	4,295	696,360,973	7,268,830,244	4,151,638,982	3,117,191,262	958,653,356	
400,000,000 & above	106	85,211	85,202	39,492,052,712	582,563,077,189	406,789,726,602	175,773,350,587	68,286,069,608	

(cont.)

**Table 26 : Principal indicators of industrial activity classified by investment size class - 2007
(Establishments with 5 or more persons engaged)**

Investment (assets at the end of the year) size class		No. of establishments	Persons engaged (No.)	Employees (No.)	Salaries & Wages (Rs.)	Value of output (Rs.)	Value of input (Rs.)	Value added (Rs.)	Gross additions to fixed assets (Rs.)
18 Manu. of wearing Apparel, dressing & dyeing of fur	Group Total	2,063	394,464	391,932	47,372,284,030	354,173,839,569	185,814,772,863	168,359,066,706	14,608,153,888
	less than 250,000	571	35,117	34,293	2,856,248,076	24,152,171,983	11,729,542,989	12,422,628,995	745,080
	250,000 - 499,999	244	2,635	2,164	136,916,960	383,445,862	75,792,030	307,653,832	11,548,190
	500,000 - 999,999	116	1,382	1,272	207,965,876	823,651,707	81,154,999	742,496,707	532,000
	1,000,000 - 14,999,999	797	37,961	36,937	2,752,488,360	8,414,411,709	3,209,680,836	5,204,730,873	576,237,110
	15,000,000 - 49,999,999	77	28,143	28,103	2,710,620,217	13,663,561,122	6,949,127,928	6,714,433,194	236,041,557
	50,000,000 - 99,999,999	100	54,753	54,744	6,145,847,495	42,619,245,257	18,411,986,269	24,207,258,987	902,337,897
	100,000,000 - 199,999,999	54	40,414	40,404	4,231,032,306	24,815,664,752	13,718,945,402	11,096,719,351	966,797,313
	200,000,000 - 399,999,999	44	56,865	56,834	6,372,197,738	39,854,225,515	14,174,015,569	25,680,209,946	1,754,712,558
	400,000,000 & above	60	137,195	137,181	21,958,967,001	199,447,461,662	117,464,526,841	81,982,934,820	10,159,202,183
19 Tanning and dressing of leather; manu. of luggage, hand	Group Total	183	10,411	10,090	1,279,117,895	8,444,296,952	5,103,456,755	3,340,840,197	131,102,581
	less than 250,000	88	846	672	168,161,000	310,785,175	77,753,450	233,031,725	2,967,000
	250,000 - 499,999	20	327	287	16,074,000	61,467,000	31,774,000	29,693,000	-
	1,000,000 - 14,999,999	60	1,170	1,064	90,352,400	740,311,127	521,198,267	219,112,860	8,375,163
	15,000,000 - 49,999,999	4	459	457	78,014,817	1,082,661,660	634,611,718	448,049,942	12,519,925
	50,000,000 - 99,999,999	7	4,741	4,741	464,487,863	1,955,280,207	976,930,627	978,349,580	16,745,828
	200,000,000 - 399,999,999	4	2,868	2,868	462,027,815	4,293,791,783	2,861,188,694	1,432,603,090	90,494,665
20 Manu. of wood & products of wood & cork except furniture	Group Total	1,076	12,054	10,497	1,035,485,620	4,340,131,706	2,209,852,564	2,130,279,142	220,196,784
	less than 250,000	116	1,240	1,096	93,270,346	381,678,119	236,575,674	145,102,446	2,160,000
	250,000 - 499,999	139	1,120	712	47,297,400	186,349,100	83,417,117	102,931,983	3,306,450
	500,000 - 999,999	156	1,124	891	71,939,081	286,415,509	147,752,562	138,662,948	15,944,733
	1,000,000 - 14,999,999	636	6,597	5,833	604,856,181	2,629,124,634	1,294,538,297	1,334,586,337	83,496,970
	15,000,000 - 49,999,999	26	1,305	1,305	144,822,612	513,578,641	238,882,005	274,696,636	77,596,539
	50,000,000 - 99,999,999	2	48	40	4,600,000	16,827,692	9,880,000	6,947,692	-
	200,000,000 - 399,999,999	1	620	620	68,700,000	326,158,011	198,806,911	127,351,100	37,692,091
21 Manu. of paper and paper products	Group Total	159	9,250	9,176	1,906,434,322	31,762,915,238	24,503,881,145	7,259,034,093	1,009,326,219
	less than 250,000	12	928	922	155,173,147	2,096,317,810	1,477,448,093	618,869,718	101,300
	500,000 - 999,999	3	77	77	7,973,135	20,240,125	9,521,102	10,719,023	-
	1,000,000 - 14,999,999	41	1,083	1,030	83,191,485	785,799,194	419,262,970	366,536,224	3,460,159
	15,000,000 - 49,999,999	92	5,032	5,019	1,320,186,127	21,293,297,765	17,115,468,978	4,177,828,787	685,910,960
	50,000,000 - 99,999,999	1	120	118	16,219,622	205,716,345	145,723,221	59,993,124	19,014,734
	100,000,000 - 199,999,999	6	1,405	1,405	241,414,040	4,933,223,522	3,416,641,832	1,516,581,691	73,840,123
	200,000,000 - 399,999,999	5	607	607	82,276,766	2,428,320,477	1,919,814,950	508,505,527	226,998,943

(cont.)

**Table 26 : Principal indicators of industrial activity classified by investment size class - 2007
(Establishments with 5 or more persons engaged)**

Investment (assets at the end of the year) size class		No. of establishments	Persons engaged (No.)	Employees (No.)	Salaries & Wages (Rs.)	Value of output (Rs.)	Value of input (Rs.)	Value added (Rs.)	Gross additions to fixed assets (Rs.)
22 Publishing, printing and reproduction of recorded media	Group Total	507	18,414	17,937	3,958,877,022	25,328,380,090	14,799,526,834	10,528,853,256	2,067,688,210
	less than 250,000	79	929	718	62,213,828	121,480,616	30,981,137	90,499,479	-
	250,000 - 499,999	11	84	84	3,276,000	6,300,000	798,000	5,502,000	-
	500,000 - 999,999	83	807	781	89,670,055	352,796,962	145,157,859	207,639,102	1,707,300
	1,000,000 - 14,999,999	238	3,803	3,733	654,077,829	3,999,623,028	2,102,121,020	1,897,502,008	29,182,531
	15,000,000 - 49,999,999	73	2,938	2,777	493,364,574	3,267,664,250	1,344,274,086	1,923,390,164	206,460,270
	50,000,000 - 99,999,999	8	614	604	88,451,672	377,296,707	231,641,926	145,654,782	82,681,157
	100,000,000 - 199,999,999	5	970	970	138,423,028	5,910,183,817	4,584,663,963	1,325,519,853	201,251,106
	200,000,000 - 399,999,999	4	1,040	1,040	195,734,443	1,717,824,547	1,005,517,504	712,307,043	206,568,350
	400,000,000 & above	7	7,229	7,229	2,233,665,593	9,575,210,163	5,354,371,338	4,220,838,825	1,339,837,497
23 Manu.of coke refined petroleum products and nuclear fuel	Group Total	2	3,047	3,047	1,916,149,572	125,920,356,397	113,622,157,840	12,298,198,557	330,149,273
	400,000,000 & above	2	3,047	3,047	1,916,149,572	125,920,356,397	113,622,157,840	12,298,198,557	330,149,273
24 Manu.of chemicals & chemical products	Group Total	392	17,755	17,416	4,545,987,816	75,780,901,876	45,402,662,304	30,378,239,572	4,287,700,236
	less than 250,000	94	933	852	67,316,121	445,353,274	197,321,442	248,031,832	3,000
	250,000 - 499,999	4	147	147	10,952,743	48,025,306	13,657,965	34,367,342	-
	500,000 - 999,999	6	46	23	680,500	5,850,000	4,433,350	1,416,650	-
	1,000,000 - 14,999,999	160	3,923	3,760	863,735,977	9,602,522,473	5,577,913,247	4,024,609,226	33,339,899
	15,000,000 - 49,999,999	56	4,800	4,742	2,206,186,172	48,196,507,982	29,559,212,251	18,637,295,731	295,009,852
	50,000,000 - 99,999,999	52	2,908	2,899	305,481,118	2,713,250,321	1,883,231,556	830,018,765	3,417,496,163
	100,000,000 - 199,999,999	9	1,958	1,956	419,620,193	3,728,711,982	1,702,435,121	2,026,276,861	199,324,396
	200,000,000 - 399,999,999	10	2,406	2,402	445,393,349	5,471,348,812	2,801,846,125	2,669,502,687	255,932,095
	400,000,000 & above	3	635	635	226,621,644	5,569,331,724	3,662,611,246	1,906,720,478	86,594,831
25 Manu.of rubber & plastic products	Group Total	783	60,236	59,684	8,168,650,982	133,268,398,265	72,166,469,164	61,101,929,101	5,187,584,890
	less than 250,000	150	13,031	13,017	1,032,598,978	14,535,219,605	9,410,577,645	5,124,641,961	110,342,183
	250,000 - 499,999	8	341	335	166,220,361	693,920,017	360,859,725	333,060,293	37,074
	500,000 - 999,999	3	107	105	8,739,274	138,939,383	76,402,907	62,536,476	604,604
	1,000,000 - 14,999,999	358	7,694	7,291	854,351,728	11,085,199,854	6,631,630,011	4,453,569,843	262,305,483
	15,000,000 - 49,999,999	150	5,212	5,195	642,663,917	11,053,031,883	5,092,499,966	5,960,531,917	702,567,613
	50,000,000 - 99,999,999	53	6,472	6,369	830,301,237	17,745,775,560	8,334,290,709	9,411,484,851	402,254,920
	100,000,000 - 199,999,999	18	5,247	5,240	715,896,885	6,775,676,184	4,297,637,719	2,478,038,466	260,719,027
	200,000,000 - 399,999,999	22	6,980	6,980	1,581,979,570	22,609,305,560	11,633,508,351	10,975,797,208	903,686,666
	400,000,000 & above	21	15,153	15,153	2,335,899,033	48,631,330,218	26,329,062,133	22,302,268,086	2,545,067,320

(cont.)

Table 26 : Principal indicators of industrial activity classified by investment size class - 2007
(Establishments with 5 or more persons engaged)

Investment (assets at the end of the year) size class		No. of establishments	Persons engaged (No.)	Employees (No.)	Salaries & Wages (Rs.)	Value of output (Rs.)	Value of input (Rs.)	Value added (Rs.)	Gross additions to fixed assets (Rs.)
26 Manu. of other non metallic mineral products	Group Total	2,836	65,565	61,884	7,590,857,091	56,488,250,191	27,758,739,747	28,729,510,444	3,535,434,075
	less than 250,000	803	30,227	28,562	2,687,591,250	7,338,498,902	3,956,746,937	3,381,751,964	55,989,200
	250,000 - 499,999	327	1,670	1,292	123,931,500	385,324,100	218,445,000	166,879,100	1,012,500
	500,000 - 999,999	220	1,598	1,470	83,105,800	354,235,012	81,918,192	272,316,820	8,565,257
	1,000,000 - 14,999,999	1,289	15,749	14,420	1,527,985,345	8,593,795,484	2,759,472,014	5,834,323,470	520,998,182
	15,000,000 - 49,999,999	75	934	872	82,011,000	375,727,250	127,354,230	248,373,020	7,500,000
	50,000,000 - 99,999,999	38	1,116	1,081	110,438,727	426,580,433	176,750,895	249,829,538	3,071,887
	100,000,000 - 199,999,999	28	2,861	2,853	520,727,179	11,972,418,419	5,622,557,294	6,349,861,125	734,464,977
	200,000,000 - 399,999,999	43	3,259	3,183	436,325,242	6,210,860,101	3,449,210,309	2,761,649,792	295,607,987
	400,000,000 & above	14	8,152	8,152	2,018,741,048	20,830,810,491	11,366,284,877	9,464,525,614	1,908,224,085
27 Manu. of basic metals	Group Total	91	5,449	5,394	990,503,808	19,917,144,787	11,190,318,194	8,726,826,593	6,331,670,960
	less than 250,000	9	447	447	58,268,000	2,271,890,014	1,039,721,528	1,232,168,486	-
	250,000 - 499,999	10	48	-	-	9,335,000	6,670,000	2,665,000	18,000
	1,000,000 - 14,999,999	4	197	193	54,355,895	322,288,398	217,762,223	104,526,175	1,600,000
	15,000,000 - 49,999,999	2	212	212	40,836,667	511,174,368	418,719,418	92,454,950	10,772,092
	50,000,000 - 99,999,999	2	457	457	61,234,940	1,178,429,287	1,031,804,642	146,624,645	4,264,219
	100,000,000 - 199,999,999	43	1,444	1,440	205,263,951	1,646,038,070	536,217,277	1,109,820,793	17,230,130
	200,000,000 - 399,999,999	7	1,878	1,878	486,829,355	10,251,223,650	4,503,142,038	5,748,081,612	423,050,218
	400,000,000 & above	16	767	767	83,715,000	3,726,766,000	3,436,281,067	290,484,933	5,874,736,301
	28 Manu. of fabricated metal products except machinery equip	Group Total	744	12,626	11,477	1,389,683,318	10,173,691,251	6,126,955,547	4,046,735,704
less than 250,000		88	853	668	17,422,296	341,751,083	258,963,659	82,787,424	1,210,000
250,000 - 499,999		48	280	235	17,505,000	38,415,000	4,228,310	34,186,690	1,360,000
500,000 - 999,999		62	358	247	27,996,000	69,838,350	31,391,800	38,446,550	2,000,000
1,000,000 - 14,999,999		448	4,669	3,996	475,847,056	2,081,055,013	1,177,492,879	903,562,134	77,667,946
15,000,000 - 49,999,999		83	4,311	4,187	536,839,279	2,418,814,800	1,591,474,040	827,340,760	180,892,550
50,000,000 - 99,999,999		8	981	970	87,187,369	1,024,662,273	391,150,601	633,511,672	780,976
100,000,000 - 199,999,999		5	649	649	127,369,652	3,778,013,647	2,379,410,258	1,398,603,389	36,760,100
200,000,000 - 399,999,999		3	525	525	99,516,667	421,141,085	292,844,000	128,297,085	1,776,000
29 Manu. of Machinery & equipments (n.e.c.)		Group Total	104	8,669	8,572	1,351,510,766	13,470,851,479	10,065,218,909	3,405,632,570
	less than 250,000	1	13	13	2,148,000	3,502,263	1,321,575	2,180,688	-
	500,000 - 999,999	1	24	24	2,224,000	10,133,333	7,304,000	2,829,333	-
	1,000,000 - 14,999,999	74	1,320	1,239	132,386,741	907,607,587	541,939,183	365,668,405	59,039,808
	15,000,000 - 49,999,999	15	1,585	1,584	240,448,333	4,245,360,333	3,256,626,500	988,733,833	260,800,000
	50,000,000 - 99,999,999	2	188	182	71,881,312	97,416,667	4,115,710	93,300,957	-
	100,000,000 - 199,999,999	7	4,396	4,387	614,677,422	4,178,361,007	3,245,577,326	932,783,681	224,561,094
	200,000,000 - 399,999,999	3	960	960	238,484,886	3,249,162,712	2,447,786,842	801,375,869	9,200,004
	400,000,000 & above	1	183	183	49,260,072	779,307,577	560,547,773	218,759,804	13,680,496

(cont.)

Table 26 : Principal indicators of industrial activity classified by investment size class - 2007
(Establishments with 5 or more persons engaged)

Investment (assets at the end of the year) size class		No. of establishments	Persons engaged (No.)	Employees (No.)	Salaries & Wages (Rs.)	Value of output (Rs.)	Value of input (Rs.)	Value added (Rs.)	Gross additions to fixed assets (Rs.)
30 Manu.of office, accounting and computing machinery	Group Total	6	5,226	5,220	601,027,248	6,136,094,411	3,203,253,197	2,932,841,214	48,734,145
	less than 250,000	1	317	317	2,840,603	2,840,604	-	2,840,604	-
	1,000,000 - 14,999,999	2	26	20	4,632,000	39,200,000	34,363,714	4,836,286	1,827,870
	100,000,000 - 199,999,999	1	1,549	1,549	242,965,399	2,419,007,543	1,479,486,059	939,521,484	46,299,927
	200,000,000 - 399,999,999	2	3,334	3,334	350,589,246	3,675,046,264	1,689,403,424	1,985,642,840	606,348
31 Manu.of Electrical machinery and apparatus n.e.c.	Group Total	61	8,720	8,711	1,451,103,592	43,717,869,810	30,058,794,893	13,659,074,916	1,409,341,643
	1,000,000 - 14,999,999	15	1,028	1,024	136,463,800	23,992,061,073	18,190,091,778	5,801,969,295	3,144,730
	15,000,000 - 49,999,999	31	1,670	1,670	176,578,657	1,266,550,306	842,686,620	423,863,686	18,717,756
	50,000,000 - 99,999,999	2	490	490	100,873,836	1,142,134,402	766,543,246	375,591,156	12,176,224
	100,000,000 - 199,999,999	5	2,500	2,500	375,677,082	6,924,332,529	4,600,784,606	2,323,547,924	247,872,584
	200,000,000 - 399,999,999	3	833	829	255,913,202	3,937,886,585	2,960,347,321	977,539,263	263,609,413
	400,000,000 & above	4	2,198	2,198	405,597,016	6,454,904,914	2,698,341,322	3,756,563,592	863,820,937
32 Manu.of Radio, TV & communication equipment and apparatus	Group Total	36	2,596	2,593	388,192,643	2,906,220,842	1,740,084,431	1,166,136,411	236,792,291
	less than 250,000	2	29	29	2,880,000	7,500,000	4,398,000	3,102,000	-
	250,000 - 499,999	18	128	128	7,150,000	27,720,000	15,598,000	12,122,000	-
	1,000,000 - 14,999,999	8	193	190	31,465,647	91,760,363	50,269,654	41,490,709	7,263,719
	15,000,000 - 49,999,999	3	231	231	27,437,600	75,099,118	34,723,905	40,375,213	410,790
	50,000,000 - 99,999,999	1	320	320	37,338,032	319,408,630	246,896,050	72,512,580	-
	100,000,000 - 199,999,999	3	1,419	1,419	181,796,793	1,460,010,257	789,111,693	670,898,564	73,295,906
	200,000,000 - 399,999,999	2	277	277	100,124,571	924,722,474	599,087,129	325,635,345	155,821,876
33 Manu.of medical, precision & optical instruments, watche	Group Total	4	58	51	4,628,840	33,171,947	18,691,604	14,480,343	737,550
	1,000,000 - 14,999,999	3	27	21	2,220,840	26,693,397	14,981,604	11,711,793	737,550
	50,000,000 - 99,999,999	1	31	30	2,408,000	6,478,550	3,710,000	2,768,550	-
34 Manu.of motor vehicles, trailers and semi-trailers	Group Total	53	2,087	2,065	368,696,752	1,808,695,605	893,947,809	914,747,796	467,780,603
	less than 250,000	8	516	512	86,511,790	71,442,588	42,439,697	29,002,891	15,000
	250,000 - 499,999	2	52	52	2,919,000	10,689,260	4,376,450	6,312,810	164,100
	1,000,000 - 14,999,999	35	620	605	70,686,385	244,364,339	144,069,739	100,294,600	2,912,982
	15,000,000 - 49,999,999	6	123	120	10,303,837	34,709,816	5,326,036	29,383,780	34,827,781
	50,000,000 - 99,999,999	1	101	101	16,008,000	233,033,864	133,693,076	99,340,788	20,294,845
	400,000,000 & above	1	675	675	182,267,740	1,214,455,738	564,042,811	650,412,927	409,565,895
35 Manu.of other transport equipment	Group Total	52	9,613	9,556	2,554,708,535	22,813,804,777	12,258,510,146	10,555,294,630	1,075,306,086
	less than 250,000	2	399	399	65,561,581	167,158,616	5,602,228	161,556,388	20,949,241
	250,000 - 499,999	1	305	305	44,458,946	823,838,000	665,058,226	158,779,774	6,295
	1,000,000 - 14,999,999	19	241	208	36,936,000	432,400,000	55,463,490	376,936,510	333,333
	15,000,000 - 49,999,999	16	1,181	1,159	194,158,680	986,142,416	515,021,618	471,120,798	62,120,491
	50,000,000 - 99,999,999	8	1,823	1,823	248,337,251	2,461,143,288	1,681,267,149	779,876,139	57,180,892
	100,000,000 - 199,999,999	2	728	725	67,660,000	449,861,139	366,072,501	83,788,638	9,971,000
	200,000,000 - 399,999,999	2	1,287	1,287	141,009,935	977,298,597	501,927,267	475,371,330	58,336,952
	400,000,000 & above	3	3,650	3,650	1,756,586,143	16,515,962,721	8,468,097,668	8,047,865,053	866,407,882

(cont.)

**Table 26 : Principal indicators of industrial activity classified by investment size class - 2007
(Establishments with 5 or more persons engaged)**

Investment (assets at the end of the year) size class	No. of establishments	Persons engaged (No.)	Employees (No.)	Salaries & Wages (Rs.)	Value of output (Rs.)	Value of input (Rs.)	Value added (Rs.)	Gross additions to fixed assets (Rs.)	
36 Manu.of furniture, Manufacturing of n.e.c.	Group Total	711	37,995	37,578	3,855,600,424	32,655,256,010	19,269,715,811	13,385,540,198	2,962,288,194
	less than 250,000	124	3,225	3,211	114,044,905	599,899,582	298,915,180	300,984,401	486,060
	250,000 - 499,999	10	57	41	2,412,000	18,034,500	11,089,250	6,945,250	-
	500,000 - 999,999	111	1,847	1,789	118,839,325	317,965,356	124,981,266	192,984,090	37,500
	1,000,000 - 14,999,999	360	10,602	10,333	863,547,360	4,398,891,668	2,256,945,232	2,141,946,437	237,634,932
	15,000,000 - 49,999,999	24	2,120	2,081	226,109,329	1,389,160,861	684,656,050	704,504,811	39,717,794
	50,000,000 - 99,999,999	57	7,460	7,454	918,352,451	11,176,707,678	7,302,470,379	3,874,237,299	1,396,107,680
	100,000,000 - 199,999,999	10	3,573	3,562	357,890,099	3,489,438,736	1,971,576,173	1,517,862,563	223,709,301
	200,000,000 - 399,999,999	11	1,807	1,804	352,665,591	3,148,757,741	1,653,323,362	1,495,434,379	346,222,960
	400,000,000 & above	7	7,305	7,303	901,739,362	8,116,399,888	4,965,758,919	3,150,640,968	718,371,967
37 Recycling	Group Total	10	536	521	66,397,112	914,150,675	561,611,303	352,539,372	58,705,941
	1,000,000 - 14,999,999	8	218	203	27,028,592	325,670,849	203,785,199	121,885,650	63,651
	50,000,000 - 99,999,999	2	318	318	39,368,520	588,479,826	357,826,104	230,653,722	58,642,290
40 Electricity, Gas, Steam and Hot water supply	Group Total	26	14,926	14,923	8,826,950,638	112,635,701,818	43,929,045,632	68,706,656,186	50,467,361,680
	less than 250,000	6	99	99	14,544,080	368,916,800	92,489,080	276,427,720	-
	50,000,000 - 99,999,999	12	144	144	14,447,520	457,350,636	169,972,716	287,377,920	23,221,668
	200,000,000 - 399,999,999	1	13	10	180,000	240,899	45,000	195,899	-
	400,000,000 & above	7	14,670	14,670	8,797,779,038	111,809,193,483	43,666,538,836	68,142,654,647	50,444,140,012
41 Collection, purification and distribution of water	Group Total	25	9,345	9,286	4,289,894,905	7,837,779,298	1,978,406,654	5,859,372,644	11,915,701,103
	less than 250,000	7	315	315	68,312,160	254,391,320	54,026,936	200,364,384	-
	250,000 - 499,999	3	24	3	72,000	369,000	119,376	249,624	-
	500,000 - 999,999	3	26	2	150,000	777,225	375,800	401,425	285,000
	1,000,000 - 14,999,999	7	58	43	4,729,536	18,507,713	7,892,855	10,614,858	90,000
	15,000,000 - 49,999,999	4	56	56	12,773,219	120,430,305	9,247,108	111,183,197	2,341,000
	200,000,000 - 399,999,999	2	18	18	3,911,820	21,291,735	497,502	20,794,233	-
	400,000,000 & above	1	8,849	8,849	4,199,946,170	7,422,012,000	1,906,247,077	5,515,764,923	11,912,985,103
Total		18,069	1,010,487	984,110	166,796,143,661	2,176,063,428,390	1,301,096,803,353	874,966,625,037	197,483,898,512

Appendix 1

Industry Division Code & Description (2 digit level)
International Standard Industrial Classification - Revision 3

- 14 Other Mining and Quarrying
- 15 Manu.of food products and beverages
- 16 Manu.of tobacco products
- 17 Manu.of Textiles
- 18 Manu.of wearing Apparel, dressing & dyeing of fur
- 19 Tanning and dressing of leather; manu. of luggage, hand bags, Saddlery, Harness & Footwear
- 20 Manu.of wood & products of wood & cork except furniture
- 21 Manu.of paper and paper products
- 22 Publishing, printing and reproduction of recorded media
- 23 Manu.of coke refined petroleum products and nuclear fuel
- 24 Manu.of chemicals & chemical products
- 25 Manu.of rubber & plastic products
- 26 Manu. of other non metallic mineral products
- 27 Manu.of basic metals
- 28 Manu.of fabricated metal products except machinery equipment
- 29 Manu.of Machinery & equipments (n.e.c.)
- 30 Manu.of office, accounting and computing machinery
- 31 Manu.of Electrical machinery and apparatus n.e.c.
- 32 Manu.of Radio, TV & communication equipment and apparatus
- 33 Manu.of medical, precision & optical instruments, watches & clocks
- 34 Manu.of motor vehicles, trailers and semi-trailers
- 35 Manu.of other transport equipment
- 36 Manu.of furniture, Manufacturing of n.e.c.
- 37 Recycling
- 40 Electricity, Gas, Steam and Hot water supply
- 41 Collection, purification and distribution of water.

Appendix 2

Group of Industry Code & Description (3 digit level) International Standard Industrial Classification - Revision 3

- 141 Quarrying of stone and sand
- 142 Mining and Quarrying n.e.c
- 151 Produ., proce. & preserving of meat, fish, fruit, vegetables, oils & fats
- 152 Manufacture of Dairy Products
- 153 Manu.of grain mill products and prepared animal feeds
- 154 Manu.of other food products
- 155 Manu.of beverages
- 160 Manu.of tobacco products
- 171 Spinning, weaving and finishing of Textiles
- 172 Manu.of other Textiles
- 173 Manu.of knitted and crocheted fabrics and articles
- 181 Manu.of weaving Apparel except fur apparels
- 182 Dressing and dyeing of fur, manufacture articles of fur
- 191 Tanning & dressing of leather; manu. of luggage, Hand bags, saddlery & harness
- 192 Manu.of footwear
- 201 Saw-milling and planning of wood
- 202 Manu.of produ. of wood, cork, straw & plaiting materials
- 210 Manu.of paper and paper products
- 221 Publishing, printing and reproduction of recorded media
- 222 Printing & service activities related to printing for others
- 223 Reproduction of recorded media
- 231 Manu.of coke oven products
- 232 Manu.of refined petroleum products
- 241 Manu.of basic chemicals
- 242 Manu.of other chemical products
- 243 Manu.of Man made fibers
- 251 Manu.of rubber products
- 252 Manu.of plastic products
- 261 Manu.of glass and glass products
- 269 Manu.of Non metallic mineral products(n.e.c.)
- 271 Manu.of basic iron & steel
- 272 Manu.of basic precious & non-ferrous metal
- 273 Casting of metals
- 281 Manu.of structural metal products, tanks, reservoirs & steam generators
- 289 Manu.of other fabricated metal products
- 291 Manu.of general purpose machinery
- 292 Manu.of special purpose machinery
- 293 Manu.of domestic appliance n.e.c
- 300 Manu.of office, accounting and computing machinery
- 311 Manu.of electronic motors, generators and transformers
- 312 Manu.of electricity distribution and control apparatus
- 313 Manu.of insulated wire and cables
- 314 Manu.of accumulators primary cells and primary batteries
- 315 Manu.of electric lamps and lighting equipments
- 319 Manu.of other electrical equipments n.e.c.
- 321 Manu.of electronic valves, tubes & other
- 322 Manu.of TV & Radio transmitters
- 323 Manu.of TV & Radio receivers, sound or video recording apparatus

- 331 Manu.of medical appliances & instruments & appliances for measuring, checking, testing, navigating & other purposes, except optical instrument
- 333 Manu.of watches and clocks
- 341 Manu.of motor vehicles
- 342 Manu.of bodies for Motor vehicles, Manu. of trailers & semi-trailers
- 343 Manu.of spare parts and accessories for motor vehicles & their engine
- 351 Building and repairing of ships and boats
- 352 Manu.of railway and tramway locomotives and rolling stock
- 353 Manu.of aircraft and spacecraft
- 359 Manu.of transport equipment n.e.c.
- 361 Manu.of furniture
- 369 Manu.of other product not elsewhere classified
- 371 Recycling of metal waste and scrap
- 372 Recycling of non-metal waste and scrap
- 401 Production, collection & distribution of electricity
- 402 Manu.of gas
- 403 Steam and hot water supply
- 410 Collection, purification and distribution of water.

Appendix 3

**Class of Industry Code & Description (4 digit level)
International Standard Industrial Classification - Revision 3**

- 1411 Quarrying of stone,Clay, Ceramic & Refractory minerals
- 1412 Braking of Granite
- 1413 Quarrying of sand and Gravel
- 1414 Quarrying of Limestone
- 1415 Mininng of Brick earth
- 1421 Mining of chemical and Fertilizer minerals
- 1422 Extraction of salt
- 1423 Mining of precious and semi precious stones
- 1429 Other Mining & Quarrying N.e.c
- 1511 Processing and Preserving of Meat and Meat Product
- 1512 Processing and Preserving of fish and fish Products
- 1513 Processing & Preserving of fruits & Vegetables
- 1514 Manufacture of Vegetable oils animal oils & fats
- 1518 Packeting of all kind of foods whether or not dried
- 1520 Manufacture of Dairy Products
- 1531 Manufacture of Grain Mill Products
- 1532 Manufacture of starches and starch products
- 1533 Preparation of Animal food from milling waist
- 1538 Packeting of Cereal, grains, yarm and their preparation & flour
- 1541 Manufacture of bakery products
- 1542 Manufacture of Cane sugar and molasses
- 1543 Manu.of cocoa, chocolate and sugar confectionary
- 1544 Manu.of macaroni, noodles couscous and similar farinaceous
- 1545 Manu.of Coffee & Soya Products for drinking
- 1546 Manu.of tea and tea products
- 1547 Manu.of chilly-power, condiments powder, proce.of spices
- 1548 Manu.of vinegar and similar products
- 1549 Manu.of other food products n.e.c
- 1551 Manufacture of beverages
- 1552 Manu.of wine, bottled toddy and similar products
- 1553 Manu.of all other beverages such as beer and stout
- 1554 Manu.of beverages such as soft drinks, soda etc
- 1601 Manu.of tobacco products
- 1602 Manu.of Cigarette, Cigar & Beedi
- 1609 Tobacco based products
- 1711 Prepa. & spinning of Textiles fibers, weaving of textiles
- 1712 Finishing of Textiles
- 1719 Other Textiles products not classified elsewhere
- 1721 Manu.of made-up textile article, except apparel
- 1722 Manu.of carpets and rugs
- 1723 Manu.of Cordage, Rope, twine & netting
- 1724 Manufacture of Sanitary Towels & Pampers
- 1725 Manu.of buckram canvas and plastic felted canvas
- 1726 Manu. of Laces and embroidered cloths
- 1727 Manu. of Labels, badges (cloth based)
- 1729 Cloth and coir based other products
- 1731 Manufacture of knitted Garments
- 1732 Manufacture of knitted socks, purses and Hand glouses

- 1733 Manufacture of Knitted Lace
- 1739 Electrometric Yarn & other rubber thread based products
- 1810 Manufacture of weaving Apparel, except fur apparels
- 1820 Dressing and dyeing of fur, manu. articles of fur
- 1911 Tanning and dressing of leather
- 1912 Manu.of luggage, hand bags
- 1913 Manu. of Bags & rain coats, artificial leather products
- 1920 Manufacturing of footwear
- 2010 Saw-milling and planing of wood
- 2021 Manu.of veneer sheets, plywood, lamin board, particle board
- 2022 Manufacture of builders carpentry and joinery
- 2023 Manufacture of wooden containers
- 2024 Manu.of produ. by cork barks, wood utencils from reed, cane, bamboo and leaves & pan
- 2025 Manu.of Household utencils of other wooden article and ornaments
- 2026 Manu.of tools, coffins, other equipments used in funerals & parts of carts
- 2027 Manu.of other cabinets & wood based seats & supports
- 2028 Manu.of other office equipment & wood articles
- 2029 Manu.of all kinds of other wood products
- 2101 Manufacture of pulp, paper and paperboards
- 2102 Manu.of corrugated paper & paperboard & containers of paper & paperboard
- 2103 Manufacture of cards, files, books and pads
- 2104 Manu.of toys, plates, cups, spoons, knives & ornaments from paper & paper pulp
- 2109 Manu.of pulp paper and paper boards articles n.e.c
- 2211 Publishing of books, brochures, musical books
- 2212 Publishing of newspapers, journals and periodicals
- 2213 Publishing of records and other recorded audio media
- 2219 Other publishing
- 2221 Printing of newspapers, journals & periodicals for others
- 2222 Service activities related to printing
- 2223 Photocopies, computer print out etc
- 2230 Reproduction of recorded media
- 2310 Manu.of coke oven products
- 2320 Manu.of refined petroleum products
- 2411 Manu.of basic chemicals,(except fertilizers & nitrogen compounds)
- 2412 Manu.of fertilizer & nitrogen compounds
- 2413 Manu.of plastic in primary forms and synthetic rubber
- 2414 Manu.of Natural carbonic fertilizers
- 2421 Manu.of pesticides and other agro-chemical products
- 2422 Manu.of paints, varnishes & similar coatings, printing ink
- 2423 Manu.of pharmaceuticals, medicinal chemicals & botanical products
- 2424 Manu.of soap & detergent, cleaning, perfumes & toilet preparations
- 2425 Manu.of explosives, crackers and other firework
- 2426 Manu.of mosquito-coils, camphor, naphthalene balls, incense sticks, chalks & candles
- 2427 Manu.of processed salt (for food)
- 2428 Manu.of chemicals and activated carbon
- 2429 Manu.of other chemical products n.e.c
- 2430 Manu.of Man made fibers
- 2511 Manu.of rubber tyres and tubes, rebuilding of rubber tyres
- 2512 Manu.of rubber condoms, rubber gloves
- 2513 Manu.of product from natural rubber
- 2514 Manu.of article of rubber
- 2519 Manu.of rubber products (not classified elsewhere)
- 2520 Manu.of plastic products
- 2610 Manu.of glass and glass products
- 2691 Manu.of non-structural non-refractory ceramic ware

- 2692 Manu.of refractory ceramic products
- 2693 Manu.of structural non refractory clay & ceramic products
- 2694 Manu.of cement lime, and plaster
- 2695 Manu.of articles of concrete, cement & plaster
- 2696 Cutting, shaping & finishing of rough stones
- 2697 Refining of Ilmanite, surcon & refining of plumbago
- 2698 Manu.of Terrazzo
- 2699 Manu.of other non-metalic mineral products n.e.c
- 2710 Manu.of basic iron & steel
- 2720 Manu.of basic precious & non-ferrous metal
- 2731 Casting of iron & steel
- 2732 Casting of Non ferrous metals
- 2811 Manu.of structural metal products
- 2812 Manu.of tanks, resorvoirs & containers of metal except packing containers
- 2813 Manu.of steam generators except central heating hotwater boilers
- 2891 Forging, Pressing, Stamping and roll forming of metal, powder metallurgy
- 2892 Treatment & coating of metal general mechanical engineering work
- 2893 Manu.of cutlery, hand tools & general hardware
- 2894 Manu.of other brass articales
- 2895 Manu.of non threaded metal products
- 2896 Manu.of Metal cooking utensils, household appliances & sanitary articles
- 2897 Manu.of Metal cables and similar articles
- 2898 Manu.of Containers used for the packing or conveyance
- 2899 Manu.of other fabricated metal products
- 2911 Manu.of engine and turbines, except aircraft, vehicle & cycle engines
- 2912 Manu.of pumps, compressors, taps and valves
- 2913 Manu.of bearings, gears, gearing & driving clemeufs
- 2914 Manu.of Ovens, furnaces & furnace burners
- 2915 Manufactory of lifting & handling equipments
- 2919 Manu.of other general purpose machinery
- 2921 Manu.of agricultural & forestry machinery
- 2922 Manu.of machine tools
- 2923 Manu.of machinery for metallurgy
- 2924 Manu.of machinery for mining, quarrying & construction
- 2925 Manu.of machinery for Food, beverage & tobacco proce.
- 2926 Manu.of machinery for textile, apparel & leather products
- 2927 Manu.of weapons and ammunition
- 2929 Manu.of other special purpose machinery (n.e.c.)
- 2930 Manu.of domestic appliance n.e.c
- 3000 Manu.of office, accounting and computing machinery
- 3110 Manu.of electric motors, generators and transformers
- 3120 Manu.of electricity distribution and control apparatus
- 3130 Manu.of insulated wire and cables
- 3140 Manu.of accumulators primary cells and primary batteries
- 3150 Manu.of electric lamps and lighting equipments
- 3190 Manu.of other electrical equipments n.e.c
- 3210 Manu.of electronic valves, tubes & other
- 3220 Manu.of TV & radio transmitters & apparatus for line telephone & line telegraphy
- 3230 Manu.of TV & radio receivers sound or video recording or reproducing apparatus & associated go
- 3311 Manu.of medical & surgical equipment and orthopaedic appliances
- 3312 Manu.of instruments & appliances for measuring, checking, testing navigation & other purposes except industrial purposes control equipment
- 3313 Manu.of industrial process control equipments
- 3320 Manu.of optical instruments and photographic equipments
- 3330 Manu.of watches and clocks

- 3410 Manu.of motor vehicles
- 3411 Assembling of all kind of Motor vehicle
- 3420 Manu.of bodies for Motor vehicles, Manu. of trailers & semi-trailers
- 3430 Manu.of spare parts and accessories for motor vehicles & their engine
- 3511 Building and repairing of ships
- 3512 Building and repairing of pleasure & sporting boats
- 3520 Manu.of railway & tramway locomatives & rolling stock
- 3530 Manu.of aircraft and spacecraft
- 3591 Manu.of motorcycles & motor tricycle (three wheelers)
- 3592 Manu.of bicycles & invalid carriages
- 3593 Manu.of other transport equipment
- 3599 Manu.of other transport equipment n.e.c
- 3610 Manu.of furniture
- 3691 Manu.of jewellery and related articles
- 3692 Manu.of musical instruments
- 3693 Manu.of sports goods
- 3694 Manu.of toys & games
- 3699 Other manufacturing not elsewhere classified
- 3710 Recycling of metal waste and scrap
- 3720 Recycling of non-metal waste and scrap
- 4010 Production, collection & distribution of electricity
- 4020 Manu.of gas
- 4030 Steam and hot water supply
- 4100 Collection, purification and distribution of water